

11014105

EFL L 22/30/45 m3/h - 39 dB - Brown

EFL is a fixed air inlet for installation in woodwork on an individual house or apartment.



EFL fixed air inlet: pitch 370 mm

PRODUCT BENEFITS

- soundproofing up to 43 dB,
- air jet oriented towards the ceiling,
- no visible screw attachment.

REGLEMENTATIONS AND COMPLIANCES

Identification no. QB37 : 05/02-CHY1-2267;05/02-CHY1-2266;05/02-CHY2-2185
 Technical Opinion no. : 14.5/17-2266;14.5/17-2267; 14.5/17-2185

Principles of operation

EFL supplies the dwelling with fresh air via a slot in the joinery and a cowled terminal on the outside wall. EFL is adjustable, the same inlet can deliver all the regulatory fixed airflows.

Product description

EFL is a fixed air inlet for installation in woodwork on an individual house or apartment. EFL features acoustic insulation of 39 dB. Available in a range of colours.

Fields of application

Multi-occupancy residential housing, Individual residential housing, New, Refurbishment

Installation

- EFL air inlets must only be installed in the main rooms of the dwelling: bedrooms, living room, lounge, etc.
- EFL inlets must be installed inside dwellings, in the upper part of windows or on the vertical panel of a roller shutter box,
- the incoming airflow must be oriented towards the ceiling,
- requires a double slot 2 x (172 x 12) mm.

Reference arguments

Application:

- Mounted on double-slot mortise: 2 x (172 x 12) mm.

Description:

- Fixed air inlet.
- Soundproofing 39 dB.
- Innovative design and discreet integration.
- Simple to install.

11014105

EFL L 22/30/45 m3/h - 39 dB - Brown

Main characteristics

- fixed acoustic air inlet,
- for installation on joinery,
- exists in different colours.

Accessories

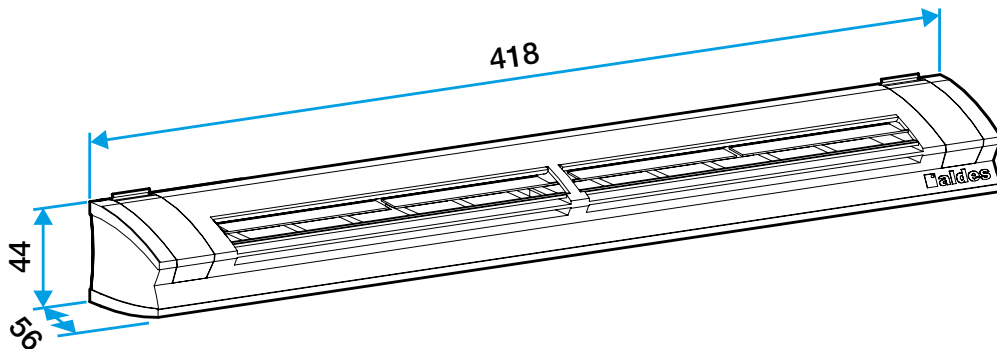
Désignations	References
Louvre cover - White	11011237
Standard cover - Light Oak	11011274
Woodwork cover - Anthracite	11011424
Woodwork cover - Ivory	11011699
Woodwork cover - Aluminium	11011753
Woodwork cover - Black	11011813
Woodwork cover - Brown	11011814
Woodwork cover - Oak	11011815
Woodwork cover - White	11011988
Acoustic cover for EHL, EA and EHB2 - White	11011972
Acoustic cover for EHL, EA and EHB2 - Aluminium	11011755
Acoustic cover for EHL, EA and EHB2 - Light Oak	11011271
Acoustic cover for EHL, EA and EHB2 - Brown	11011260
Acoustic cover for EHL, EA and EHB2 - Oak	11011261
Acoustic cover for EHL, EA and EHB2 - Black	11011262
Acoustic cover for EHL, EA and EHB2 - Ivory	11011263
Acoustic cover for EHL, EA and EHB2 - Anthracite	11011425
Anti-insect acoustic cover for EHL, EA and EHB2 - White	11011426
APP rain hood cover woodwork - White	11011901
Long adapter flange - White	11011413
Long adapter flange - Oak	11011414
Long adapter flange - Brown	11011415
Long adapter flange - Aluminium	11011417
Long adapter flange - Light Oak	11011418
Long adapter flange - Ivory	11011419
Long adapter flange - Black	11011416

General data

References	Colour
11014105	Brown

Dimensional data

References	H (mm)	w (mm)	L (mm)	Slot (mm)	DC_R_SECTION_(DATE) (cm²)
11014105	44	56	418	2 x (172 x 12)	16-21-32



Entraxe : 370 mm

Airflow data

References	Airflow (m³/h)
11014105	22/30/45

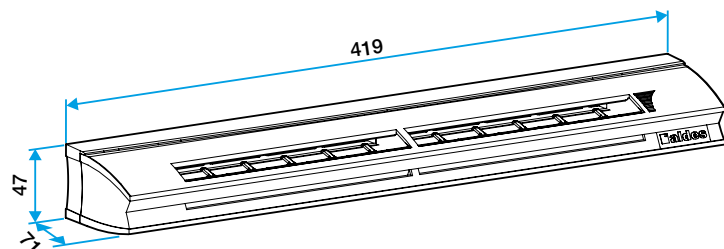
11014105

EFL L 22/30/45 m3/h - 39 dB - Brown

Acoustic data

References	Dnew (Ctr) with standard cover (dB)	Dnew (Ctr) with acoustic cover (dB)
11014105	39	42

Installation visual 1



Mise en œuvre entrée d'air EHL L