

# 11014118

## EFT 22

EHT is a humidity-controlled air inlet for wall penetrations in single-family dwellings and multi-occupancy buildings.



EHT/EFT² humidity-controlled air inlet

### PRODUCT BENEFITS

- simple to install,
- high acoustic performance levels
- no visible fastening screws.

### REGLEMENTATIONS AND COMPLIANCES

Identification no. QB37 : 05/02-CHY1-2267; 05/02-CHY1-2266; 05/02-CHY2-2185  
Technical Opinion no. : 14.5/17-2266; 14.5/17-2267

### Principles of operation

EHT is a sound-proofed humidity-controlled air inlet for wall penetrations in single-family dwellings and multi-occupancy buildings.

### Product description

EHT delivers fresh air and distributes incoming airflow around the dwelling according to the humidity level.

### Fields of application

Multi-occupancy residential housing, Individual residential housing, New, Refurbishment

### Installation

- The EHT must be installed in a wall penetration,
- EHT is installed on a circular sleeve,
- 100 mm or 125 mm diameter connection to Bath/shower PVC pipe

### Main characteristics

- sound-proofed humidity-controlled or fixed air inlet.
- installed in wall penetration
- EHT accessories available to improve acoustic performance

## 11014118 EFT 22

### Supplementary characteristics

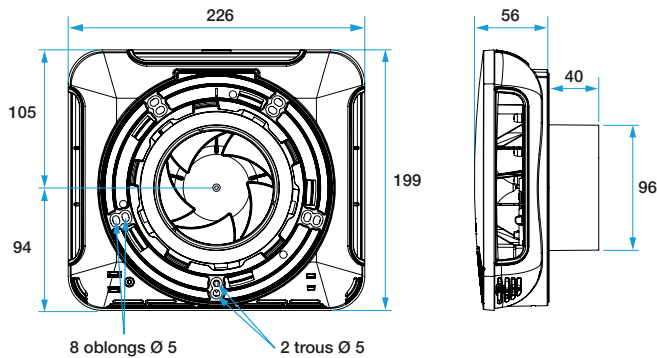
This product is also available as a fixed air inlet under the name EFT.

### Accessories

| Désignations  | References |
|---|------------|
| Tube Ø 100mm, L350mm  | 11014121   |
| Sound-proofing foam for outdoor hood  | 11014123   |
| EHT shaft / PVC Ø 125   | 11014126   |
| Tube Ø 100mm, L500mm  | 11014128   |
| Flow limiter D100 mm for EHT, EFT air inlet   | 11014145   |
| Adapter for airflow limiter D125 mm for EHT <sup>2</sup> and EFT <sup>2</sup> air inlet | 11014146   |
| External rainhood   | 11014122   |
| Acoustic foam D100  | 11014124   |
| Acoustic foam D125  | 11014125   |
| Anti-insect filter  | 11014147   |

### Consumables

| Désignations  | References |
|---|------------|
| Tube Ø 100mm, L350mm  | 11014121   |
| Outdoor hood  | 11014261   |
| Sound-proofing foam for outdoor hood  | 11014123   |
| Acoustic foam D100  | 11014124   |
| Acoustic foam D125  | 11014125   |
| EHT shaft / PVC Ø 125   | 11014126   |
| Tube Ø 100mm, L500mm  | 11014128   |
| Flow limiter D100 mm for EHT, EFT air inlet   | 11014145   |
| Adapter for airflow limiter D125 mm for EHT <sup>2</sup> and EFT <sup>2</sup> air inlet | 11014146   |
| Anti-insect filter  | 11014147   |



Encombrement Entrée d'air EHT2 et EFT2

Encombrement Auvent EHT2 et EFT2

### Airflow data

| References | Airflow (m <sup>3</sup> /h) |
|------------|-----------------------------|
| 11014118   | 22                          |