

Continuous exhaust fan

11014255

EFT2 22 m³/h - White

EHT² is a humidity-controlled air inlet for wall penetration on individual houses and multi-occupancy residential buildings.



Entrée d'air hygroréglable EFT²



Side view EFT humidity-controlled air inlet

PRODUCT BENEFITS

- easy to install,
- high acoustic performance,
- concealed screw attachment.

REGLEMENTATIONS AND COMPLIANCES

Identification no. QB37 : 05/02-CHY1-2267; 05/02-CHY1-2266; 05/02-CHY2-2185
 Technical Opinion no. : 14.5/17-2266; 14.5/17-2267; 14.5/17-2185

Principles of operation

EHT² is a humidity-controlled air inlet for wall penetration on individual houses and multi-occupancy residential buildings.

Product description

EHT² is an acoustic humidity-controlled air inlet for wall penetrations. EHT delivers fresh air and distributes incoming airflow around the dwelling according to the humidity level.

Fields of application

Multi-occupancy residential housing, Individual residential housing, New, Refurbishment

Installation

- the air inlets must only be installed in the main rooms of the dwelling: bedrooms, living room, lounge, etc.
- EHT² must be installed in a wall penetration,
- connection to Bath/shower PVC pipe 100 mm or 125 mm diameter,
- acoustic foam inserted directly into the PVC opening.

Main characteristics

- acoustic air inlet,
- ideal for through-wall installation,
- range of EHT² accessories for improved acoustic performance.

Supplementary characteristics

This product is also available as a fixed air inlet under the name EFT².

Accessories

Désignations	References
Tube Ø 100mm, L350mm	11014121
Tube Ø 100mm, L500mm	11014128
EHT shaft / PVC Ø 125	11014126
Sound-proofing foam Ø 100	11014259
Sound-proofing foam Ø 125	11014260
Anti-insect filter for air inlets EHT ² / EFT ²	11014262
Outdoor hood	11014261
EHT ² /EFT ² ventilation grille D100 Black	11014263
Flow limiter D100 mm for EHT, EFT air inlet	11014145
Adapter for airflow limiter D125 mm for EHT ² and EFT ² air inlet	11014146
Soundproof foam electrostatic filter 105 mm	11014264

General data

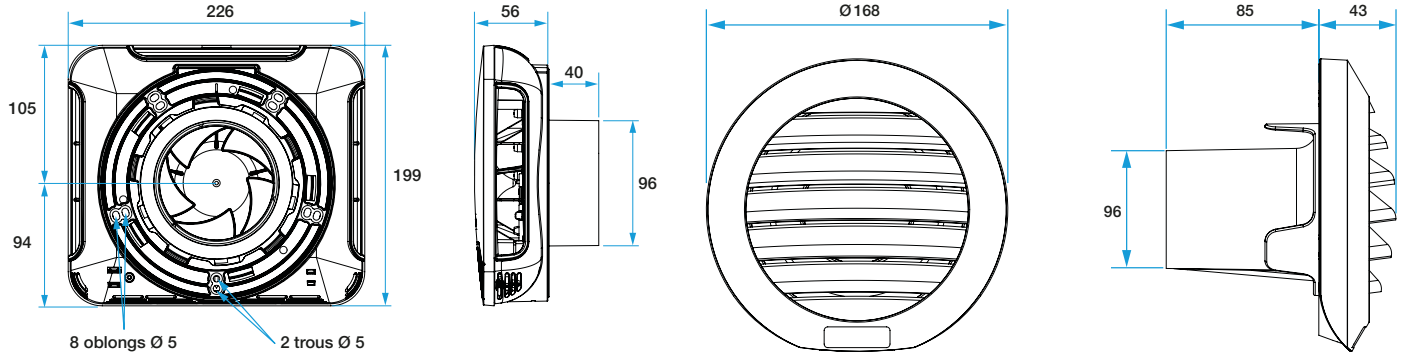
References	Main material	Colour
11014255	Plastic	Lagoon blue

Continuous exhaust fan

11014255 EFT2 22 m³/h - White

Dimensional data

References	H (mm)	L (mm)	P (mm)	Ø connection (mm)	DC_R_SECTION (DATE) (cm ²)
11014255	200	226	56	100; 125	22



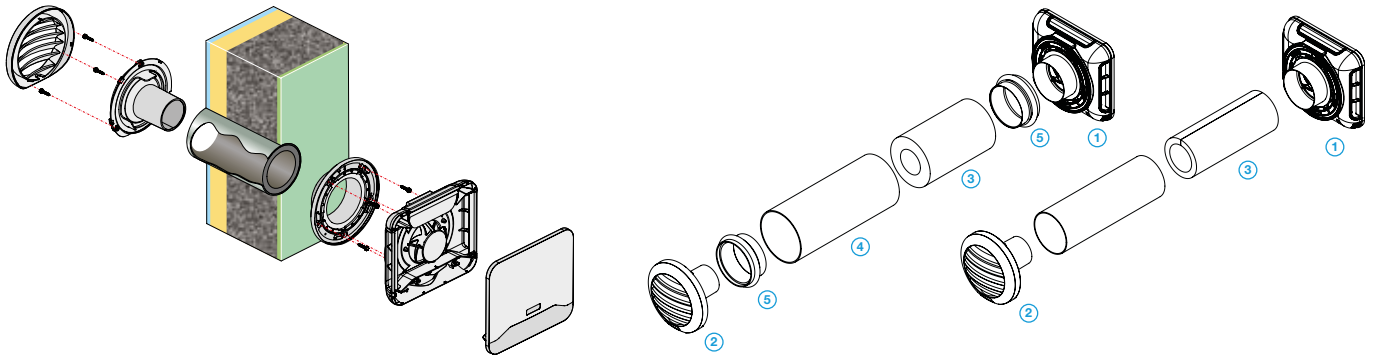
Encombrement Entrée d'air EHT² et EFT²

Encombrement Auvent EHT² et EFT²

Airflow data

References	Airflow (m ³ /h)
11014255	22

Installation visual 1



Mise en œuvre entrée d'air EHT² et EFT²

Composition entrée d'air EHT² et EFT²

Curve

