

# 11014237

## EHB<sup>2</sup> 6-44 m<sup>3</sup>/h - 34 dB - Black

EHB<sup>2</sup> is a humidity-controlled air inlet for joinery, enabling discreet integration into any window.



EHB2 humidity-controlled air inlet: pitch 372 mm

### PRODUCT BENEFITS

- innovative design that blend into window profiles,
- adapts the airflow according to the occupancy of the dwelling,
- air jet oriented towards the ceiling,
- no visible screw attachment.

### REGLEMENTATIONS AND COMPLIANCES

Identification no. QB37 : 05/02-CHY1-2267;05/02-CHY1-2266  
 Technical Opinion no. : 14.5/17-2266;14.5/17-2267

### Principles of operation

EHB2 is a humidity-controlled air inlet for installation in woodwork. EHB2 delivers fresh air and distributes incoming airflow around the dwelling according to the humidity level.

### Product description

EHB2 is a humidity-controlled air inlet for installation in woodwork. EHB2 delivers fresh air and distributes incoming airflow around the dwelling according to the humidity level. Available in a range of colours.

### Fields of application

Multi-occupancy residential housing, Individual residential housing, New, Refurbishment

### Installation

- EHB<sup>2</sup> air inlets must only be installed in the main rooms of the dwelling: bedrooms, living room, lounge, etc.
- EHB<sup>2</sup> inlets must be installed inside dwellings, in the upper part of windows or on the vertical panel of a roller shutter box,
- the incoming airflow must be oriented towards the ceiling,
- requires a double slot 2 x (172 x 12) mm,

### Reference arguments

Application:

- Humidity-controlled air inlet for joinery,
- Mounted on double-slot mortise: 2 x (172 x 12 mm) or single slot: (250 x 15) mm or (250 x 12) mm

Description:

- Soundproofing 34 dB,
- Innovative design and discreet integration,
- Simple to install.

## 11014237 EHB<sup>2</sup> 6-44 m<sup>3</sup>/h - 34 dB - Black

### Main characteristics

- Sound-proofed humidity-controlled air inlet,
- for installation on joinery,
- exists in different colours.

### Accessories

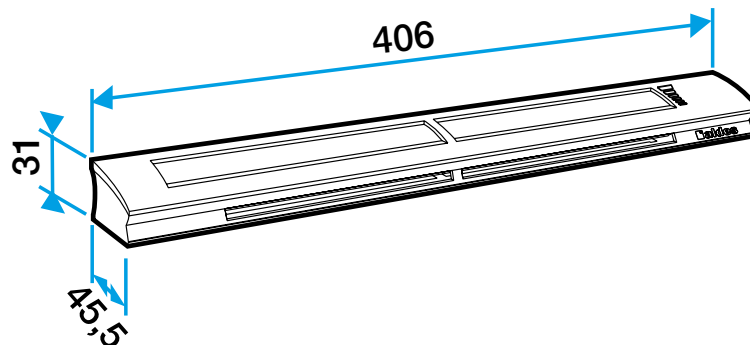
Désignations	References
Louvre cover - White	11011237
Standard cover - Light Oak	11011274
Woodwork cover - Anthracite	11011424
Woodwork cover - Ivory	11011699
Woodwork cover - Aluminium	11011753
Woodwork cover - Black	11011813
Woodwork cover - Brown	11011814
Woodwork cover - Oak	11011815
Woodwork cover - White	11011988
Acoustic cover for EHL, EA and EHB2 - White	11011972
Acoustic cover for EHL, EA and EHB2 - Aluminium	11011755
Acoustic cover for EHL, EA and EHB2 - Light Oak	11011271
Acoustic cover for EHL, EA and EHB2 - Brown	11011260
Acoustic cover for EHL, EA and EHB2 - Oak	11011261
Acoustic cover for EHL, EA and EHB2 - Black	11011262
Acoustic cover for EHL, EA and EHB2 - Ivory	11011263
Acoustic cover for EHL, EA and EHB2 - Anthracite	11011425
Anti-insect acoustic cover for EHL, EA and EHB2 - White	11011426
APP rain hood cover woodwork - White	11011901
Long adapter flange - White	11011413
Long adapter flange - Oak	11011414
Long adapter flange - Brown	11011415
Long adapter flange - Aluminium	11011417
Long adapter flange - Light Oak	11011418
Long adapter flange - Ivory	11011419
Long adapter flange - Black	11011416

### General data

References	Colour
11014237	Wenge

### Dimensional data

References	H (mm)	w (mm)	L (mm)	Slot (mm)	DC_R_SECTION_(DATE) (cm <sup>2</sup> )
11014237	31	45,5	406	2 x (172 x 12)	04-31



Entraxe : 372 mm

### Airflow data

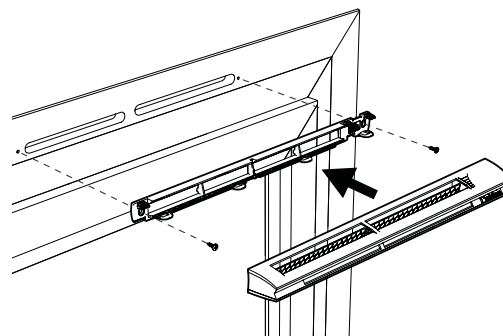
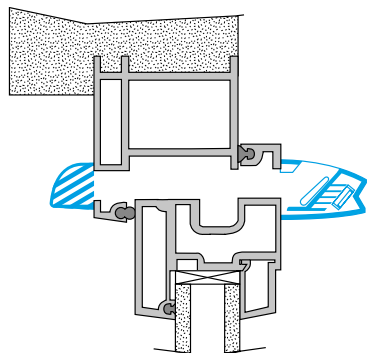
References	Airflow range (m <sup>3</sup> /h)
11014237	6-44

## 11014237 EHB<sup>2</sup> 6-44 m<sup>3</sup>/h - 34 dB - Black

### Acoustic data

References	D <sub>new</sub> (Ctr) with standard cover (dB)	D <sub>new</sub> (Ctr) with acoustic cover (dB)
11014237	34	37

### Installation visual 1



Mise en œuvre entrée d'air EHB2