

11014238

EHB² kit 6-44 m³/h - 34 dB - White

EHB² is a humidity-controlled air inlet for joinery, enabling discreet integration into any window.



EHB2 humidity-controlled air inlet: pitch 372 mm

PRODUCT BENEFITS

- innovative design that blend into window profiles,
- adapts the airflow according to the occupancy of the dwelling,
- air jet oriented towards the ceiling,
- no visible screw attachment.

REGLEMENTATIONS AND COMPLIANCES

Identification no. QB37 : 05/02-CHY1-2267;05/02-CHY1-2266
 Technical Opinion no. : 14.5/17-2266;14.5/17-2267

Principles of operation

EHB2 is a humidity-controlled air inlet for installation in woodwork. EHB2 delivers fresh air and distributes incoming airflow around the dwelling according to the humidity level.

Product description

EHB2 is a humidity-controlled air inlet for installation in woodwork. EHB2 delivers fresh air and distributes incoming airflow around the dwelling according to the humidity level. Available in a range of colours.

Fields of application

Multi-occupancy residential housing, Individual residential housing, New, Refurbishment

Installation

- EHB² air inlets must only be installed in the main rooms of the dwelling: bedrooms, living room, lounge, etc.
- EHB² inlets must be installed inside dwellings, in the upper part of windows or on the vertical panel of a roller shutter box,
- the incoming airflow must be oriented towards the ceiling,
- requires a double slot 2 x (172 x 12) mm,

Reference arguments

Application:

- Humidity-controlled air inlet with airflow 6-44 m³/h,
- Supplied in kit with standard cover.

Description:

- Mounted on double-slot mortise: 2 x (172 x 12) mm,
- Humidity-controlled air inlet with standard base,
- Soundproofing 37 dB,
- Dimensions: 45x406x31 mm,
- White colour,
- Innovative design and discreet integration,
- Simple to install.

Main characteristics

- Sound-proofed humidity-controlled air inlet,
- for installation on joinery,
- exists in different colours.

11014238 EHB² kit 6-44 m³/h - 34 dB - White

Contents of kits

1 hood

Accessories

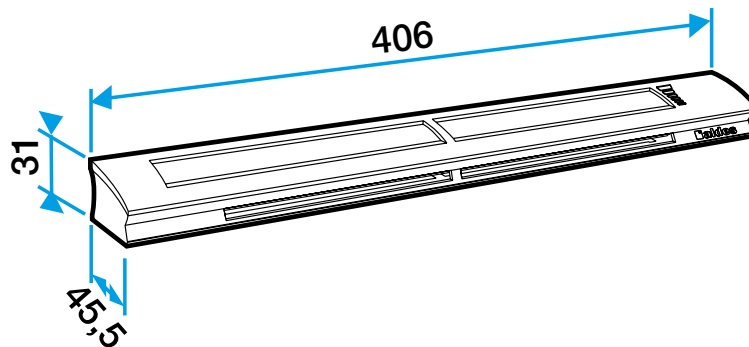
| Désignations | References |
|---|------------|
| Louvre cover - White | 11011237 |
| Standard cover - Light Oak | 11011274 |
| Woodwork cover - Anthracite | 11011424 |
| Woodwork cover - Ivory | 11011699 |
| Woodwork cover - Aluminium | 11011753 |
| Woodwork cover - Black | 11011813 |
| Woodwork cover - Brown | 11011814 |
| Woodwork cover - Oak | 11011815 |
| Woodwork cover - White | 11011988 |
| Acoustic cover for EHL, EA and EHB2 - White | 11011972 |
| Acoustic cover for EHL, EA and EHB2 - Aluminium | 11011755 |
| Acoustic cover for EHL, EA and EHB2 - Light Oak | 11011271 |
| Acoustic cover for EHL, EA and EHB2 - Brown | 11011260 |
| Acoustic cover for EHL, EA and EHB2 - Oak | 11011261 |
| Acoustic cover for EHL, EA and EHB2 - Black | 11011262 |
| Acoustic cover for EHL, EA and EHB2 - Ivory | 11011263 |
| Acoustic cover for EHL, EA and EHB2 - Anthracite | 11011425 |
| Anti-insect acoustic cover for EHL, EA and EHB2 - White | 11011426 |
| APP rain hood cover woodwork - White | 11011901 |
| Long adapter flange - White | 11011413 |
| Long adapter flange - Oak | 11011414 |
| Long adapter flange - Brown | 11011415 |
| Long adapter flange - Aluminium | 11011417 |
| Long adapter flange - Light Oak | 11011418 |
| Long adapter flange - Ivory | 11011419 |
| Long adapter flange - Black | 11011416 |

General data

| References | Colour |
|------------|-------------|
| 11014238 | Lagoon blue |

Dimensional data

| References | H (mm) | w (mm) | L (mm) | Slot (mm) | DC R SECTION (DATE) (cm ²) |
|------------|--------|--------|--------|----------------|--|
| 11014238 | 31 | 45,5 | 406 | 2 x (172 x 12) | 04-31 |



Entraxe : 372 mm

Airflow data

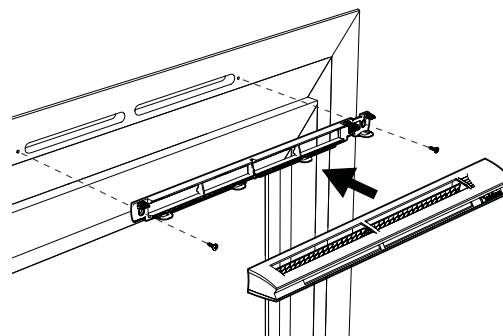
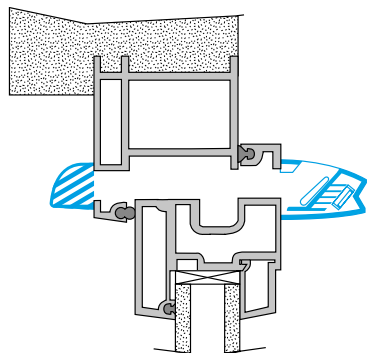
| References | Airflow range (m ³ /h) |
|------------|-----------------------------------|
| 11014238 | 6-44 |

11014238 EHB² kit 6-44 m³/h - 34 dB - White

Acoustic data

| References | Dnew (dB) | Dnew (Ctr) with standard cover (dB) | Dnew (Ctr) with acoustic cover (dB) |
|------------|-----------|-------------------------------------|-------------------------------------|
| 11014238 | 34 | 34 | 37 |

Installation visual 1



Mise en œuvre entrée d'air EHB2