

11014250 EHC 6-44 m³/h - 34 dB - White

EHC is a humidity-controlled air inlet for roller shutter boxes on individual houses and multi-occupancy residential buildings.



Entrée d'air hygroréglable EHC

PRODUCT BENEFITS

- specially designed for roller shutter boxes,
- adapts the airflow according to the occupancy of the dwelling,
- ultra-compact design,
- simple to install.

REGLEMENTATIONS AND COMPLIANCES

Identification no. QB37 : 05/02-CHY1-2267;05/02-CHY1-2266
Technical Opinion no. : 14.5/17-2266;14.5/17-2267

Principles of operation

EHC is a humidity-controlled air inlet for roller shutter boxes. EHC delivers fresh air and distributes incoming airflow around the dwelling according to the humidity level.

Product description

EHC is a humidity-controlled air inlet for roller shutter boxes. EHC delivers fresh air and distributes incoming airflow around the dwelling according to the humidity level. Available in a range of colours.

Fields of application

Multi-occupancy residential housing, Individual residential housing, New, Refurbishment

Installation

- EHC air inlets must only be installed in the main rooms of the dwelling: bedrooms, living room, lounge, etc.
- EHT inlets must be installed inside dwellings on the vertical panel of a roller shutter box,
- the incoming airflow must be oriented towards the ceiling,
- requires a single slot (270 x 20 mm).

Reference arguments

Application:

- EHC humidity-controlled air inlet for roller shutter box airflow 6-44 m³/h

Description:

- Mounted on single-slot mortise: (250 x 20) mm
- Specially designed for roller shutter boxes. • Dimensions: 56x340x26
- White colour
- Ultra-compact design
- Simple to install

Main characteristics

- humidity-controlled air inlet,
- installed on the roller shutter box.

Accessories

Désignations	References
EHC sealing sleeve	11014251
EHC leaktight seal	11014252

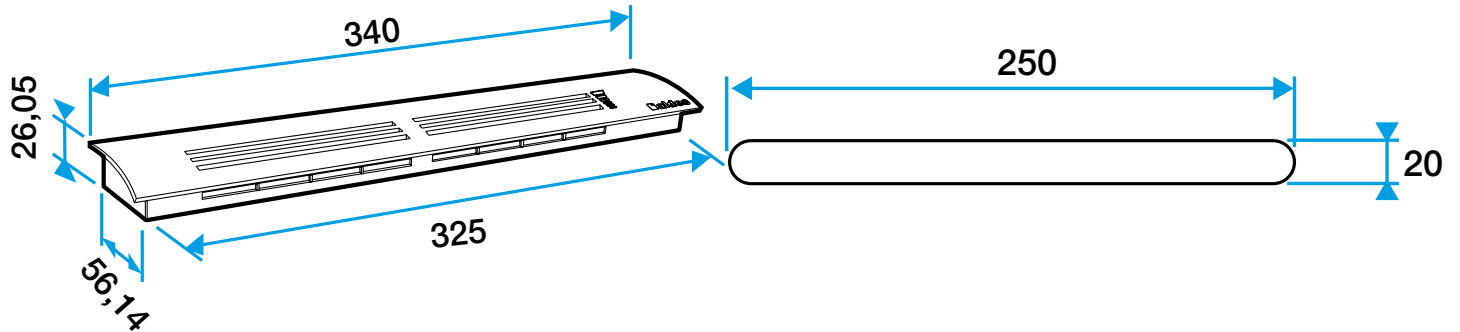
General data

References	Colour
11014250	Lagoon blue

11014250 EHC 6-44 m³/h - 34 dB - White

Dimensional data

References	H (mm)	w (mm)	L (mm)	Slot (mm)	DC_R_SECTION (DATE) (cm ²)
11014250	26,05	56,14	340	(250 x 20)	04-31



Entraxe : 311 mm

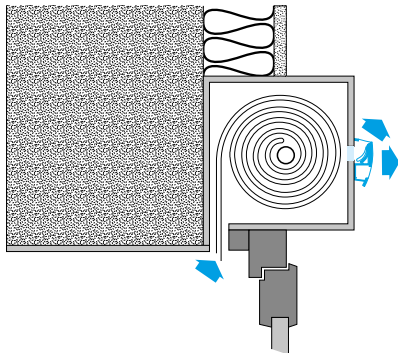
Airflow data

References	Airflow range (m ³ /h)
11014250	6-44

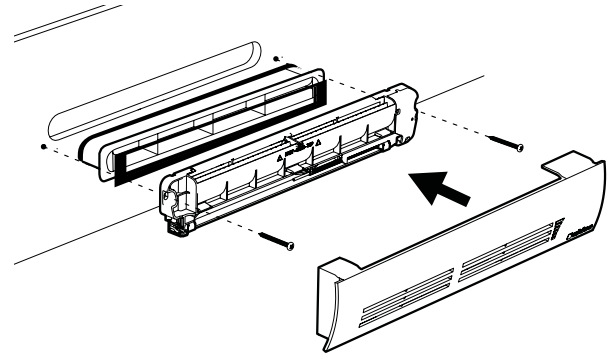
Acoustic data

References	Dnew (dB)	Dnew (Ctr) with standard cover (dB)
11014250	34	34

Installation visual 1



Vue en coupe mise en œuvre entrée d'air EHC



Mise en œuvre entrée d'air EHC