

## Continuous exhaust fan

# 11014254

## EHT2 6-44 m<sup>3</sup>/h - White

EHT<sup>2</sup> is a humidity-controlled air inlet for wall penetration on individual houses and multi-occupancy residential buildings.



Front view of EHT<sup>2</sup> humidity-controlled air inlet



Side view of EHT<sup>2</sup> humidity-controlled air inlet

### PRODUCT BENEFITS

- easy to install,
- high acoustic performance,
- concealed screw attachment.

### REGLEMENTATIONS AND COMPLIANCES

Identification no. QB37 : 05/02-CHY1-2267; 05/02-CHY1-2266; 05/02-CHY2-2185  
 Technical Opinion no. : 14.5/17-2266; 14.5/17-2267; 14.5/17-2185

### Principles of operation

EHT<sup>2</sup> is a humidity-controlled air inlet for wall penetration on individual houses and multi-occupancy residential buildings.

### Product description

EHT<sup>2</sup> is an acoustic humidity-controlled air inlet for wall penetrations. EHT delivers fresh air and distributes incoming airflow around the dwelling according to the humidity level.

### Fields of application

Multi-occupancy residential housing, Individual residential housing, New, Refurbishment

### Installation

- the air inlets must only be installed in the main rooms of the dwelling: bedrooms, living room, lounge, etc.
- EHT<sup>2</sup> must be installed in a wall penetration,
- connection to Bath/shower PVC pipe 100 mm or 125 mm diameter,
- acoustic foam inserted directly into the PVC opening.

### Main characteristics

- acoustic air inlet,
- ideal for through-wall installation,
- range of EHT<sup>2</sup> accessories for improved acoustic performance.

### Supplementary characteristics

This product is also available as a fixed air inlet under the name EFT<sup>2</sup>.

### Accessories

Désignations	References
Tube Ø 100mm, L350mm	11014121
Tube Ø 100mm, L500mm	11014128
EHT shaft / PVC Ø 125	11014126
Sound-proofing foam Ø 100	11014259
Sound-proofing foam Ø 125	11014260
Anti-insect filter for air inlets EHT <sup>2</sup> / EFT <sup>2</sup>	11014262
Outdoor hood	11014261
EHT <sup>2</sup> /EFT <sup>2</sup> ventilation grille D100 Black	11014263
Flow limiter D100 mm for EHT, EFT air inlet	11014145
Adapter for airflow limiter D125 mm for EHT <sup>2</sup> and EFT <sup>2</sup> air inlet	11014146
Soundproof foam electrostatic filter 105 mm	11014264

### General data

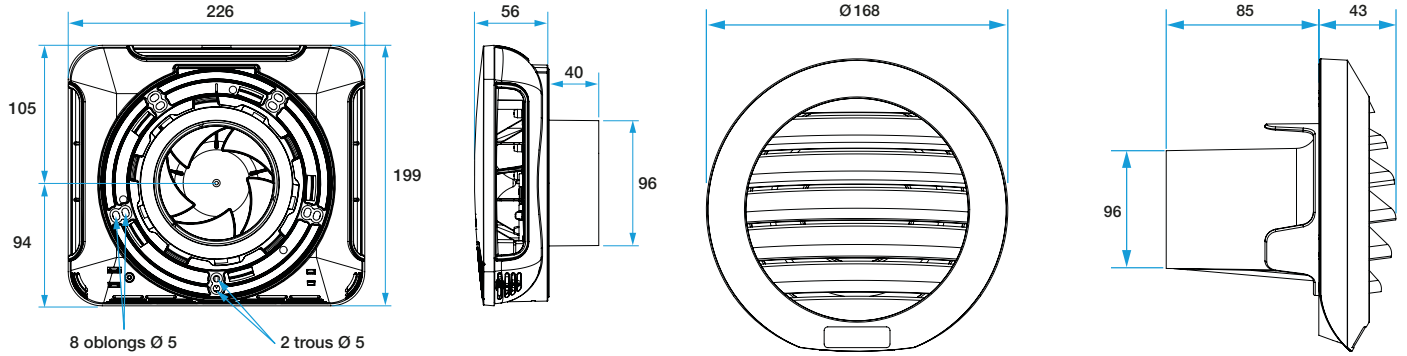
References	Colour
11014254	Lagoon blue

Continuous exhaust fan

## 11014254 EHT2 6-44 m<sup>3</sup>/h - White

### Dimensional data

References	H (mm)	L (mm)	P (mm)	Ø connection (mm)
11014254	200	226	56	100;125



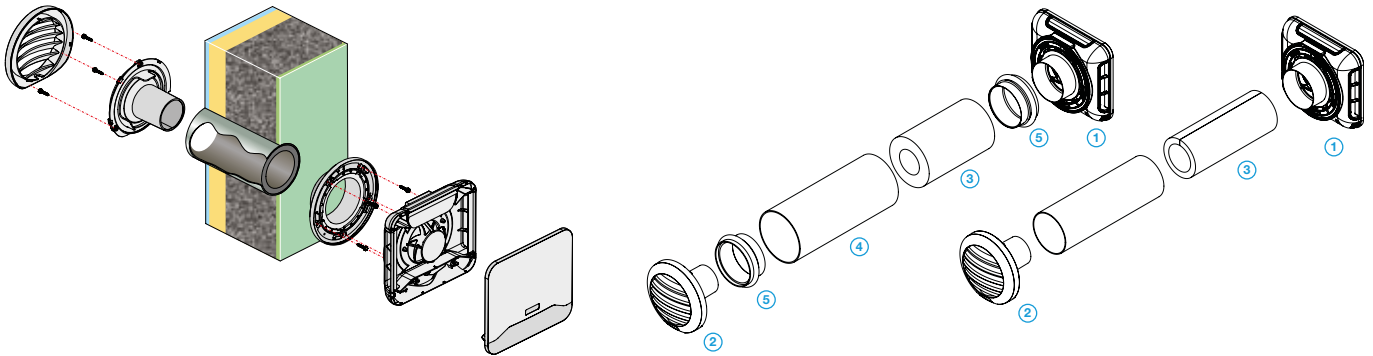
Encombrement Entrée d'air EHT<sup>2</sup> et EFT<sup>2</sup>

Encombrement Auvent EHT<sup>2</sup> et EFT<sup>2</sup>

### Airflow data

References	Airflow range (m <sup>3</sup> /h)
11014254	6-44

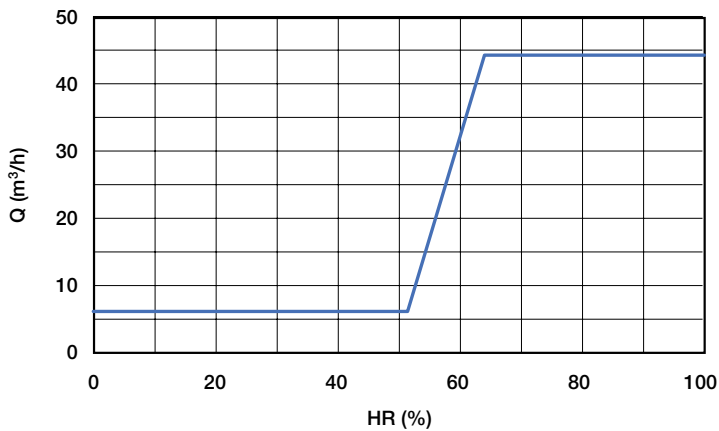
### Installation visual 1



Mise en œuvre entrée d'air EHT<sup>2</sup> et EFT<sup>2</sup>

Composition entrée d'air EHT<sup>2</sup> et EFT<sup>2</sup>

### Curve



Courbe Débit/Humidité