

## Continuous exhaust fan

# 11014258

## EHTO<sup>2</sup> 6-44

EHT<sup>2</sup> is a humidity-controlled air inlet for wall penetration on individual houses and multi-occupancy residential buildings.



Front view EHTO humidity-controlled air inlet



Side view EHTO humidity-controlled air inlet

### PRODUCT BENEFITS

- easy to install,
- high acoustic performance,
- concealed screw attachment.

### REGLEMENTATIONS AND COMPLIANCES

Identification no. QB37 : 05/02-CHY1-2267; 05/02-CHY1-2266; 05/02-CHY2-2185  
 Technical Opinion no. : 14.5/17-2266; 14.5/17-2267; 14.5/17-2185

### Principles of operation

EHT<sup>2</sup> is a humidity-controlled air inlet for wall penetration on individual houses and multi-occupancy residential buildings.

### Product description

EHT<sup>2</sup> is an acoustic humidity-controlled air inlet for wall penetrations. EHT delivers fresh air and distributes incoming airflow around the dwelling according to the humidity level.

### Fields of application

Multi-occupancy residential housing, Individual residential housing, New, Refurbishment

### Installation

- the air inlets must only be installed in the main rooms of the dwelling: bedrooms, living room, lounge, etc.
- EHT<sup>2</sup> must be installed in a wall penetration,
- connection to Bath/shower PVC pipe 100 mm or 125 mm diameter,
- acoustic foam inserted directly into the PVC opening.

### Main characteristics

- acoustic air inlet,
- ideal for through-wall installation,
- range of EHT<sup>2</sup> accessories for improved acoustic performance.

### Supplementary characteristics

This product is also available as a fixed air inlet under the name EFT<sup>2</sup>.

### Accessories

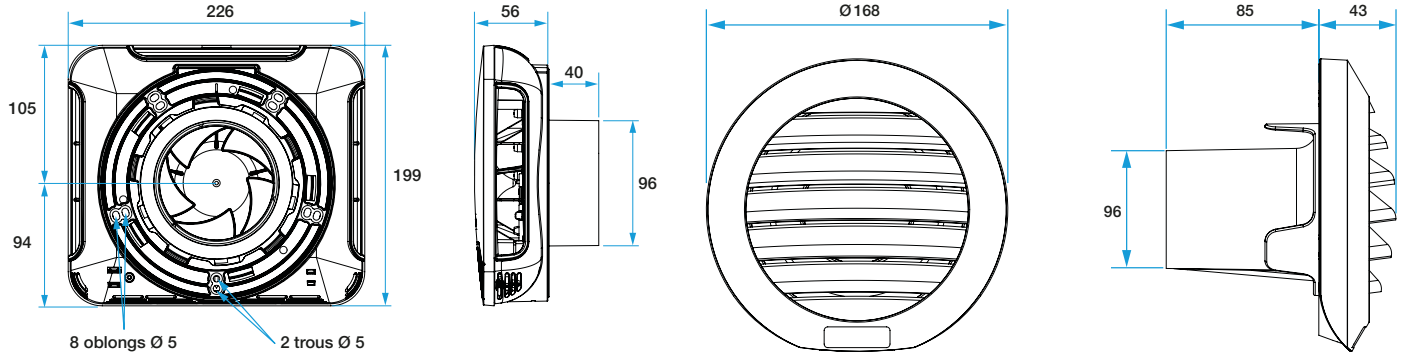
| Désignations  | References |
|---|------------|
| Tube Ø 100mm, L350mm  | 11014121   |
| Tube Ø 100mm, L500mm  | 11014128   |
| EHT shaft / PVC Ø 125   | 11014126   |
| Sound-proofing foam Ø 100   | 11014259   |
| Sound-proofing foam Ø 125   | 11014260   |
| Anti-insect filter for air inlets EHT <sup>2</sup> / EFT <sup>2</sup>                   | 11014262   |
| Outdoor hood  | 11014261   |
| EHT <sup>2</sup> /EFT <sup>2</sup> ventilation grille D100 Black                        | 11014263   |
| Flow limiter D100 mm for EHT, EFT air inlet   | 11014145   |
| Adapter for airflow limiter D125 mm for EHT <sup>2</sup> and EFT <sup>2</sup> air inlet | 11014146   |
| Soundproof foam electrostatic filter 105 mm   | 11014264   |

Continuous exhaust fan

11014258  
EHT0<sup>2</sup> 6-44

Dimensional data

| References | H (mm) | L (mm) | P (mm) | Ø connection (mm) | DC_R_SECTION (DATE) (cm²) |
|------------|--------|--------|--------|-------------------|---------------------------|
| 11014258   | 200    | 226    | 56     | 100; 125          | 04-31                     |



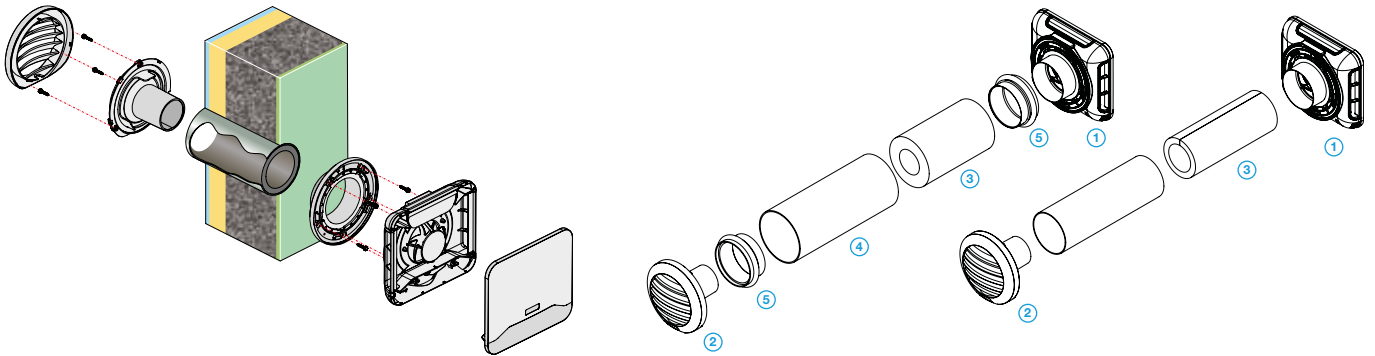
Encombrement Entrée d'air EHT<sup>2</sup> et EFT<sup>2</sup>

Encombrement Auvent EHT<sup>2</sup> et EFT<sup>2</sup>

Airflow data

| References | Airflow range (m³/h) |
|------------|----------------------|
| 11014258   | 6-44                 |

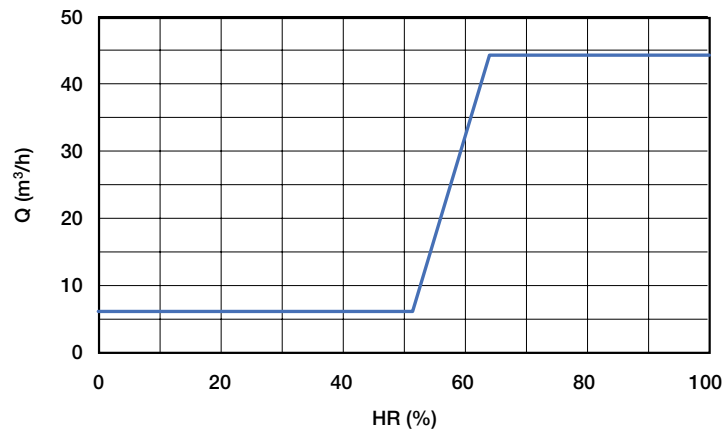
Installation visual 1



Mise en œuvre entrée d'air EHT<sup>2</sup> et EFT<sup>2</sup>

Composition entrée d'air EHT<sup>2</sup> et EFT<sup>2</sup>

Curve



Airflow curve/Humidity