

# 11026038

## EasyHOME AUTO kit with Netatmo

EasyHOME AUTO COMPACT with Netatmo is an air exhaust ventilation solution with wireless control, ready to install, silent, and extra flat.



Kit EasyHOME AUTO with Netatmo



Unit top view

### PRODUCT BENEFITS

- installation and wireless control of CMEV using the pre-paired radio control,
- very quiet: as low as 12 dB(A),
- 77% recycled plastic.

### REGLEMENTATIONS AND COMPLIANCES

Identification no. QB37 : NA  
Technical Opinion no. : NA

### Principles of operation

Save time with EasyHOME AUTO with Netatmo with the ultra-fast integration of the BOOST control: no wires to pull, simply place the control in the desired location. EasyHOME AUTO COMPACT with Netatmo renews the air in your dwelling 24/7 with 2 operating modes: AUTO mode delivering constant airflow for each ventilated room and a BOOST mode which automatically activates high speed in the kitchen via an inverter or a Céliane remote control with Netatmo co-developed with Legrand.

### Product description

EasyHOME AUTO COMPACT with Netatmo is a self-balanced exhaust ventilation solution that automatically controls exhaust airflow and delivers constant air renewal throughout the dwelling on a daily basis.

A KITCHEN BOOST mode can be activated and deactivated manually using the Céliane wireless control with Netatmo by Legrand.

When associated with ColorLINE® ventilation grilles, EasyHOME AUTO COMPACT with Netatmo blends seamlessly into your interior decor.

EasyHOME AUTO COMPACT with Netatmo is suitable for installation in the attic or in a small space in the dwelling, for example in a technical ceiling or equipment room.

### Fields of application

Multi-occupancy residential housing, Individual residential housing, Refurbishment

### Installation

- Installation in attic or technical ceiling,
- 2 fastening screws only: centreline 406 mm,
- built-in anti-vibration strips,
- quick-connect electrical terminal block,
- flexible ducts connected directly to the unit,
- optional EasyCLIP Algaine accessories available.

# 11026038

## EasyHOME AUTO kit with Netatmo

### Reference arguments

- Application:
  - Individual residential,
  - Unidirectional ventilation systems,
  - Refurbishment,
  - New system or replacement of existing ventilation system,
  - Connects 1 kitchen and up to 4 bathrooms/WC.
- Description:
  - COMPACT unit made of recyclable plastic: 1 x Ø125 kitchen connection, 4 x Ø80 bath/WC connections, 1 x Ø160/125 discharge,
  - Supplied with a micro-module kit and wireless control for Céliane CMEV with Netatmo by Legrand,
  - Micro-module must be wired to the CMEV unit at the time of installation,
  - Micro-module and wireless control pre-paired in the factory and ready for installation, providing remote control of AUTO mode (low speed) and BOOST mode (high speed) on the EasyHOME unit,
  - Exhaust airflow rates automatically controlled at each connection using kitchen, bathroom and WC controllers,
  - 2-speed AC motor
  - Wireless controller supplied with 1 x CR2032 3V battery (8-year lifetime), LED low battery indicator, wireless band 2.4 GHz. Screwed or glued attachment using the 2 re-positionable adhesive pads provided,
  - Ventilation kit can be connected using the Legrand «... with Netatmo» connected starter pack: remote control, schedule creation, voice control with Legrand's Home+Control App.

### Main characteristics

- COMPACT unit made of recyclable plastic,
- connections on unit for 1 kitchen and up to 4 bathrooms/WC:
  - 1 x Ø 125 mm connection for kitchen,
  - 4 x Ø 80 mm connections for bathroom/WC,
  - 1 x Ø 160/125 mm outlet using adapter supplied.
- exhaust airflow automatically controlled at each connection via the kitchen auto amplifier and bathroom/WC controllers,
- installation symbols on the unit and accessories,
- 2 operating modes: AUTO mode and KITCHEN BOOST mode,
- 2-speed AC motor,
- kit delivered with 3 ColorLINE® ventilation grilles, a micro-module kit + wireless remote control for Céliane CMEV with Netatmo by Legrand:
  - wireless control powered by a button battery (estimated lifetime: 8 years).
  - micro-module must be wired to the CMEV unit at the time of installation,
  - micro-module and wireless control pre-paired in the factory and ready for installation, providing remote control of low and high speeds on the EasyHOME unit,
  - can be connected using the Legrand «... with Netatmo» connected starter pack: remote control, schedule creation, voice control with Legrand's Home+Control App.

### Supplementary characteristics

- AUTO mode:
  - daily operating mode,
  - low-speed ventilation.
  - constant air renewal, adapted to each ventilated room.
- KITCHEN BOOST mode:
  - high ventilation speed in kitchen.
  - manual control via the Céliane wireless control for CMEV with Netatmo by Legrand,
  - humidity and mealtime odours are rapidly removed.

# 11026038

## EasyHOME AUTO kit with Netatmo

### Contents of kits

- kitchen auto amplifier;1
- bathroom controller;2
- WC controller;2
- plug Ø 80 mm;2
- outlet adapter Ø 160/125 mm;1
- ColorLINE grille Ø 125 mm + sleeve;1
- ColorLINE grille Ø 80 mm + sleeve;2
- wireless remote control for CMEV Céliane with Netatmo by Legrand with white cover plate;1

### Accessories

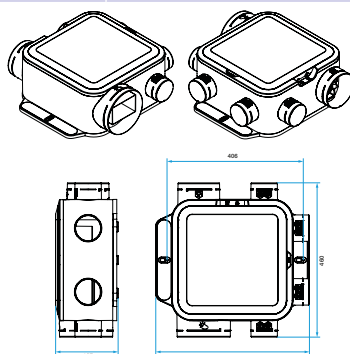
Désignations	References
Collar + connector EasyCLIP Ø125 mm	11033010
Collar + connector EasyCLIP Ø80 mm	11033011
Connector EasyCLIP + collar Ø 160 mm	11033016

### General data

References	Number of connections Ø 125 mm	Number of connections Ø 80 mm	Maximum number of bathrooms/ WC	Number of speeds	Type of motor
11026038	1	4	4	2	AC

### Dimensional data

References	H (mm)	L (mm)	P (mm)	Ø discharge (mm)	Weight (kg)
11026038	187	459	460	160/125	3,6



Encombrement en mm

### Airflow data

References	Max. airflow ErP (m³/h)
11026038	241

### Acoustic data

References	Sound pressure at 2 m from the kitchen terminal (dB(A))	Sound power at kitchen terminal (dB(A))	Sound power at the unit at 100 m³/h (dB(A))	Sound power ErP (dB(A))
11026038	12	28	39	44

### Thermal data

References	Average daily consumption 2-bed dwelling (1 bathroom + 1 WC) (W)	Max. power in AUTO mode (W)	Max. power in BOOST mode (W)
11026038	14	14	26

### Electrical datas

References	Frequency (Hz)	Max. current (A)	Voltage (V)
11026038	50	2	230

# 11026038

## EasyHOME AUTO kit with Netatmo

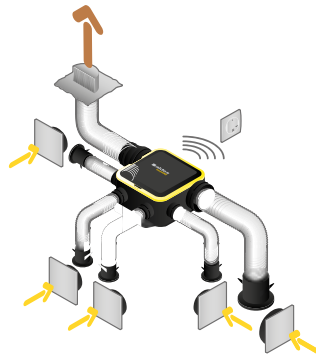
### Regulatory data

References	Energy class ErP
11026038	E

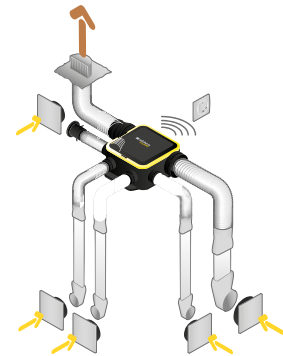
### Installation visual 1



Montage faux-plafond



Installation kit EasyHOME Auto with Netatmo avec conduits souples Algaine



Installation kit EasyHOME Auto with Netatmo avec conduits rigides Minigaine

### Curve

