

11033049

EasyHOME HYGRO COMPACT Classic kit + BAHIA® CURVE ELEC terminals

The EasyHOME HYGRO COMPACT Classic multi-position ventilation solution automatically adapts to needs by detecting the humidity level in each room.



Kit COMPACT CLASSIC



COMPACT CLASSIC unit top view

PRODUCT BENEFITS

- up to €200 savings on heating bills,
- extra flat for easy installation in the dwelling,
- 77% recycled plastic.

REGLEMENTATIONS AND COMPLIANCES

Identification no. QB37 : 70/01-CHY5-2266
Technical Opinion no. : 14.5/17-2266

Principles of operation

EasyHOME HYGRO renews the air throughout your dwelling and removes ambient humidity.

In each room, the humidity-controlled air inlets and terminals detect humidity or occupation, to ensure the ventilation airflow is automatically adjusted to suit your needs.

Product description

EasyHOME HYGRO COMPACT Classic is a humidity-controlled unidirectional ventilation solution which adapts the air renewal rate to the humidity level or the presence of occupants in the dwelling, thereby preventing pointless heat losses.

The rate is controlled room by room by the humidity-controlled air inlets and terminals.

EasyHOME HYGRO COMPACT is compatible with multiple ducting solutions and can be installed with Optiflex semi-rigid ducts for an airtight, high-performance installation.

Ultra-flat and multi-position, EasyHOME HYGRO COMPACT is suitable for installation in small interior spaces, for example in a suspended ceiling or utility room.

Fields of application

Multi-occupancy residential housing, Individual residential housing, New, Refurbishment

Installation

- multi-position installation: wall, ceiling, floor, sloped surface,
- just 2 attachment screws: centreline 406 mm,
- built-in anti-vibration strips,
- quick-connect electrical terminal block,
- compatible with all types of ducting:
 - Algaine flexible ducts,
 - Optiflex semi-rigid ducts,
 - Minigaine rigid ducts,
- ducting must be insulated outside of heated spaces,
- EasyCLIP Algaine accessories supplied: quick-fit connectors and collar clamps for simplified connection of flexible ducts to unit,
- EasyCLIP Optiflex accessories available as optional extras,
- Kitchen PUSH and WC PRES terminals powered by 9V alkaline battery (LR61), not supplied).

11033049

EasyHOME HYGRO COMPACT Classic kit + BAHIA® CURVE ELEC terminals

Reference arguments

- Application:
 - Individual residential or apartment,
 - Unidirectional ventilation systems,
 - Refurbishment,
 - New system or replacement of existing ventilation system,
 - Connects 1 kitchen and up to 4 bathrooms/WC.
- Description:
 - COMPACT unit made of recyclable plastic material: - 1 x Ø125 connection for kitchen, 4 x Ø80 connections for bathrooms/WC, 1 x Ø160 outlet,
 - Exhaust airflows controlled by humidity-controlled terminals according to ambient humidity,
 - 1-speed AC motor,
 - Hygro B kit supplied with Bahia Curve humidity-controlled terminals with electrical control.

Main characteristics

- COMPACT unit made of recyclable plastic,
- connections on unit for 1 kitchen and up to 4 bathrooms/WC:
 - 1 x Ø 125 mm connection for kitchen,
 - 4 x Ø 80 mm connections for bathrooms/WC,
 - 1 x Ø 160 mm outlet.
- exhaust airflow controlled by humidity-controlled terminals according to ambient humidity or occupancy,
- installation symbols on the unit,
- 2 operating modes: HYGRO humidity-controlled mode and BOOST mode for kitchen,
- 1-speed AC motor,
- Hygro B kits supplied with Bahia Curve humidity-controlled terminals, electrical control (ELEC).

Supplementary characteristics

- HYGRO mode:
 - continuously variable daily automatic operation,
 - ventilation airflow reduced to minimum during periods of absence,
 - airflow increased at terminals when humidity level rises (perspiration, shower, cooking, etc.) or when occupancy of the WC is detected.
- BOOST kitchen mode:
 - high speed ventilation in kitchen by opening terminal at peak airflow for a period of 30 min,
 - manual activation of peak airflow by push button (ELEC terminal),
 - fast elimination of humidity and odours at meal times.

Contents of kits

- plug Ø 80 mm;2
- kitchen terminal C21 PUSH Ø 125 mm + sleeve;1
- bathroom terminal B21 Ø 80 mm + sleeve;1
- WC terminal W13 PRES Ø 80 mm + sleeve;1
- Algaine EasyCLIP Ø 125 mm;1
- Algaine EasyCLIP Ø 80 mm;2
- Algaine EasyCLIP Ø 160 mm;1

Accessories

Désignations	References
Collar + connector EasyCLIP Ø80 mm	11033011
CMEV push button for BAHIA CURVE terminal	11026011

General data

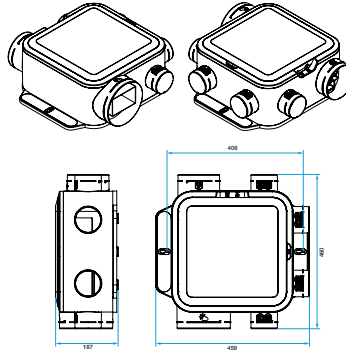
References	Number of connections Ø 125 mm	Number of connections Ø 80 mm	Maximum number of bathrooms/ WC	Number of speeds	Type of motor
11033049	1	4	4	1	AC

11033049

EasyHOME HYGRO COMPACT Classic kit + BAHIA® CURVE ELEC terminals

Dimensional data

References	H (mm)	L (mm)	P (mm)	Ø discharge (mm)	Weight (kg)
11033049	187	459	460	160	3,6



Encombrement en mm

Airflow data

References	Max. airflow ErP (m³/h)
11033049	221

Acoustic data

References	Sound pressure at 2 m from the kitchen terminal (dB(A))	Sound power at kitchen terminal (dB(A))	Sound power at the unit at 100 m³/h (dB(A))	Sound power ErP (dB(A))
11033049	20	37	46	46

Thermal data

References	Average daily consumption 2-bed dwelling (1 bathroom + 1 WC) (W)
11033049	20,7

Electrical datas

References	Frequency (Hz)	Protection current (A)	Max. current (A)	Voltage (V)	Max. power
11033049	50	2	0,2	230	28

11033049

EasyHOME HYGRO COMPACT Classic kit + BAHIA® CURVE ELEC terminals

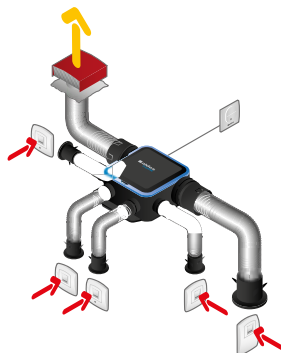
Regulatory data

References	Energy class ErP
11033049	C

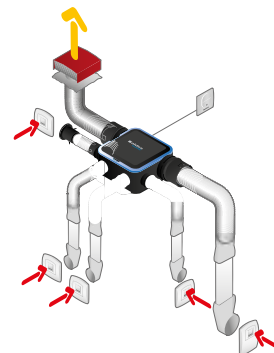
Installation visual 1



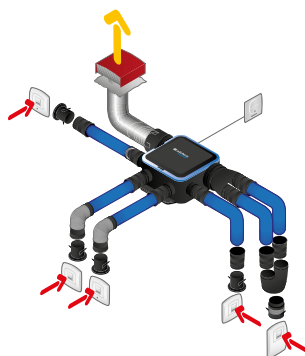
Montage faux-plafond



Installation avec conduits souples Algaïne isolée

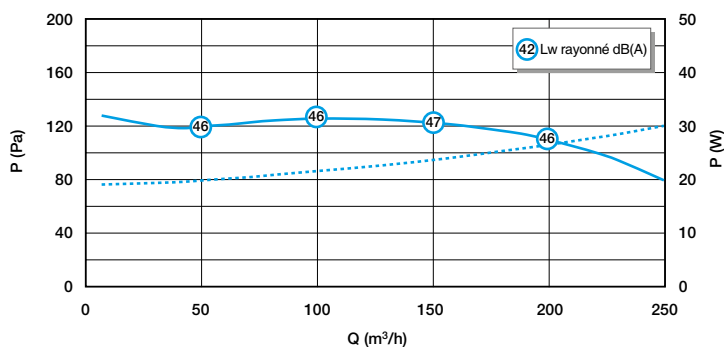


Installation avec conduits rigides Minigaine



Installation avec conduits semi-rigides Optiflex

Curve



Aerologic and acoustic curve EasyHOME Hygro COMPACT CLASSIC