

11033032

EasyHOME HYGRO Classic kit + BAHIA® CURVE CORD terminals

The EasyHOME HYGRO Classic ventilation solution automatically adapts to needs by detecting the humidity level in each room.



Kit CLASSIC with grilles BAHIA Curve CORD



Groupe CLASSIC top view

PRODUCT BENEFITS

- ventilation to precisely match your needs thanks to humidity detection,
- up to €200 savings on heating bills,
- 78% recycled plastic.

REGLEMENTATIONS AND COMPLIANCES

Identification no. QB37 : 70/01-CHY5-2266
 Technical Opinion no. : 14.5/17-2266

Principles of operation

EasyHOME HYGRO renews the air throughout your dwelling and removes ambient humidity.

In each room, the humidity-controlled air inlets and terminals detect humidity or occupation, to ensure the ventilation airflow is automatically adjusted to suit your needs.

Product description

EasyHOME HYGRO Classic is a humidity-controlled unidirectional ventilation solution which adapts the air renewal rate to the humidity level or the presence of occupants in the dwelling, thereby preventing pointless heat losses.

The rate is controlled room by room by the humidity-controlled air inlets and terminals.

EasyHOME HYGRO is compatible with multiple ducting solutions and can be installed with Optiflex semi-rigid ducts for an airtight, high-performance installation.

EasyHOME HYGRO can be installed in an attic.

Fields of application

Individual residential housing, New, Refurbishment

Installation

- suspended installation with cord provided,
- can be mounted on a vertical wall using the optional wall mounting kit: centreline pitch 95 mm,
- quick-connect electrical terminal block,
- compatible with all types of ductwork:
 - Algaine flexible ducts,
 - Optiflex semi-rigid ducts,
 - Miniduct rigid ducts,
- insulate the ducting when not in heated area,
- EasyCLIP Algaine accessories supplied with the ELEC kit: quick-fit connectors and clamps for simplified connection of flexible ducts to the unit,
- optional EasyCLIP Optiflex accessories available,
- PUSH kitchen terminals and WC PRESENCE terminals powered by battery (9V alkaline, type LR61, not supplied).

Reference arguments

- Application:
 - Individual residential,
 - Unidirectional ventilation systems,
 - Refurbishment,
 - New system or replacement of existing ventilation system,
 - Connects 1 kitchen and up to 4 bathrooms/WC.
- Description:
 - ATTIC unit made of recyclable plastic material: -1 x Ø125 connection for kitchen ,4 x Ø80 connections for bathrooms/WC, 1 x Ø160 outlet
 - Exhaust airflows controlled by humidity-controlled terminals according to ambient humidity,
 - 1-speed AC motor,
- Hygro B kit supplied with Bahia Curve humidity-controlled terminals, with manual pull-cord control.

11033032

EasyHOME HYGRO Classic kit + BAHIA® CURVE CORD terminals

Main characteristics

- ATTIC unit made of recyclable plastic,
- connections on unit:
 - 1 x Ø 125 mm connection for kitchen,
 - 4 x Ø 80 mm connections for bathrooms/WC,
 - 1 x Ø 160 mm outlet.
- exhaust airflow controlled according to level of pollutants detected,
- installation symbols on the unit and accessories,
- 2 operating modes: HYGRO humidity-controlled mode and BOOST mode for kitchen,
- 1-speed AC motor,
- Hygro B kits supplied with Bahia Curve humidity-controlled terminals, electrical control (ELEC) or manual pull cord control (CORD).

Supplementary characteristics

- HYGRO mode:
 - continuously variable daily automatic operation,
 - ventilation airflow reduced to minimum during periods of absence,
 - airflow increased at terminals when humidity level rises (perspiration, shower, cooking, etc.) or when occupancy of the WC is detected.
- BOOST kitchen mode:
 - high speed ventilation in kitchen by opening terminal at peak airflow for a period of 30 min,
 - manual activation of peak airflow by push button (ELEC terminal) or via pull cord (CORD terminal)
 - fast elimination of humidity and odours at meal times.

Contents of kits

- suspension cord;1
- plug Ø 80 mm;2
- kitchen terminal C21 CORD Ø 125 mm + sleeve;1
- bathroom terminal B21 Ø 80 mm + sleeve;1
- WC terminal W13 CORD Ø 80 mm + sleeve;1

Accessories

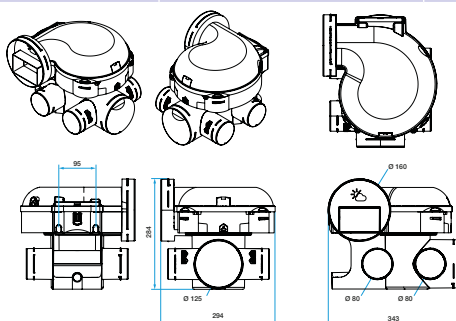
Désignations	References
Collar + connector EasyCLIP Ø125 mm	11033010
Collar + connector EasyCLIP Ø80 mm	11033011
Wall mounting kit OPTIMA with silent blocks	11033015
Connector EasyCLIP + collar Ø 160 mm	11033016
CMEV push button for BAHIA CURVE terminal	11026011

General data

References	Number of connections Ø 125 mm	Number of connections Ø 80 mm	Maximum number of bathrooms/WC	Number of speeds	Type of motor
11033032	1	4	4	1	AC

Dimensional data

References	H (mm)	L (mm)	P (mm)	Ø discharge (mm)	Weight (kg)
11033032	284	294	343	160	2,7



Encombrement en mm

11033032

EasyHOME HYGRO Classic kit + BAHIA® CURVE CORD terminals

Airflow data

References	Max. airflow ErP (m³/h)
11033032	213

Acoustic data

References	Sound pressure at 2 m from the kitchen terminal (dB(A))	Sound power at kitchen terminal (dB(A))	Sound power at the unit at 100 m³/h (dB(A))	Sound power ErP (dB(A))
11033032	20	37	45	42

Thermal data

References	Average daily consumption 2-bed dwelling (1 bathroom + 1 WC) (W)
11033032	20.5

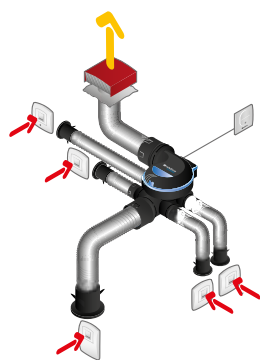
Electrical datas

References	Frequency (Hz)	Protection current (A)	Max. current (A)	Voltage (V)	Max. power
11033032	50	2	0,2	230	28

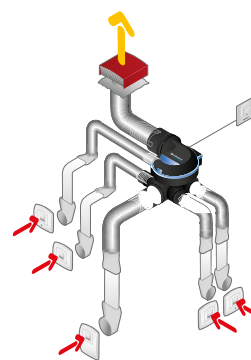
Regulatory data

References	Energy class ErP
11033032	C

Installation visual 1

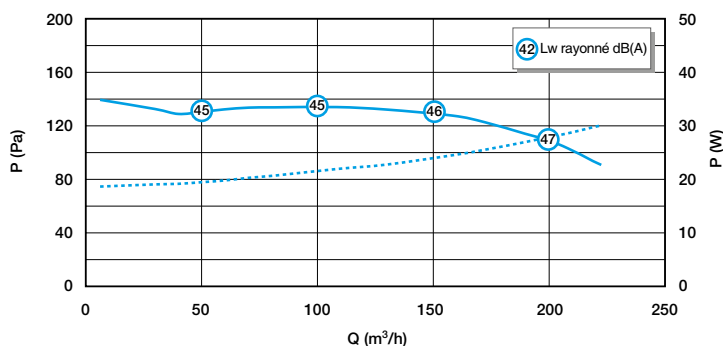


Installation avec conduits souples Algaïne isolée



Installation avec conduits rigides Minigaine

Curve



Aeraulic and acoustic curve EasyHOME Hygro Classic