

11033057

EasyHOME PureAIR COMPACT Classic unit

EasyHOME PureAIR COMPACT Classic renews and purifies the air inside your dwelling using VOC and H2O sensors and its automatic high speed.



COMPACT CLASSIC unit

Unit top view

PRODUCT BENEFITS

- VOC and H2O sensors,
- high automatic fan speed in kitchen and bathroom,
- 77% recycled plastic.

REGLEMENTATIONS AND COMPLIANCES

Identification no. QB37 : NA
Technical Opinion no. : NA

Principles of operation

EasyHOME PureAIR Classic renews and purifies the air inside your dwelling. Using air quality sensors, it offers automatic high-speed operation in kitchens and bathrooms when the VOC or humidity level rises.

Product description

EasyHOME PureAIR COMPACT Classic is a central ventilation and air purification solution which detects and removes volatile organic compounds (VOC) and humidity from the dwelling using two operating modes.

The PureAIR COMPACT classic system is fitted with two electronic multi-pollutant sensors: 1 VOC sensor and 1 H2O sensor, fitted on the fan unit.

Combined with AirFILTER air inlets fitted with a pollen filter, the PureAIR solution filters outdoor air for optimal air quality inside the dwelling.

Ultra-flat and multi-position, EasyHOME PureAIR COMPACT Classic is suitable for installation in small interior spaces, for example in a suspended ceiling or utility room.

Fields of application

Multi-occupancy residential housing, Individual residential housing, Refurbishment

Installation

- multi-position installation: wall, ceiling, floor, sloped surface,
- just 2 attachment screws: centreline 406 mm,
- built-in anti-vibration strips,
- quick-connect electrical terminal block,
- flexible ducts connected directly to the unit,
- optional ALGAIN EasyCLIP accessories available.

Reference arguments

- Application:
 - For individual houses or apartments,
 - Unidirectional ventilation systems,
 - Refurbishment,
 - New system or replacement of existing ventilation system,
 - Connects 1 kitchen and up to 4 bathrooms/WC.
- Description:
 - ATTIC unit made of recyclable plastic: 1 x Ø125 kitchen connection, 4 x Ø80 bath/WC connections, 1 x Ø160/125 discharge,
 - Exhaust airflow controlled according to level of pollutants detected, using electronic VOC and H2O sensors installed on the fan motor,
 - 2-speed AC motor

11033057

EasyHOME PureAIR COMPACT Classic unit

Main characteristics

- COMPACT unit made of recyclable plastic,
- connections on unit for 1 kitchen and up to 4 bathrooms/WC:
 - 1 x Ø 125 mm connection for kitchen,
 - 4 x Ø 80 mm connections for bathroom/WC,
 - 1 x Ø 160/125 mm outlet using adapter supplied.
- installation symbols on the unit and accessories,
- exhaust airflow controlled according to level of pollutants detected,
- 2 purification modes: AUTO mode and BOOST mode for bathroom/kitchen,
- 2-speed AC motor,
- kits supplied with 3 ColorLINE® ventilation grilles and 4 AirFILTER® air inlets.

Supplementary characteristics

- AUTO mode:
 - day-to-day operation mode,
 - low constant ventilation speed,
 - air renewal suited to room ventilated (kitchen, bathroom, WC).
- BOOST bath/kitchen mode:
 - automatic high speed in bathroom and kitchen,
 - automatic activation when the VOC level and humidity level in the dwelling rise,
 - manual activation possible using a push button (not supplied).

Contents of kits

- COV sensor;1
- humidity sensor;1
- kitchen auto amplifier;1
- bathroom auto amplifier;2
- WC controller;2
- plug Ø 80 mm;2
- outlet adapter Ø 160/125 mm;1

Accessories

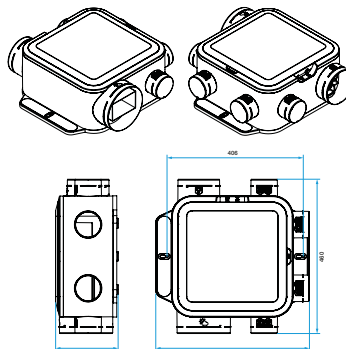
Désignations	References
Collar + connector EasyCLIP Ø125 mm	11033010
Collar + connector EasyCLIP Ø80 mm	11033011
Connector EasyCLIP + collar Ø 160 mm	11033016
CMEV push button for BAHIA CURVE terminal	11026011

General data

References	Number of connections Ø 125 mm	Number of connections Ø 80 mm	Maximum number of bathrooms/ WC	Number of speeds	Type of motor
11033057	1	4	4	2	AC

Dimensional data

References	H (mm)	L (mm)	P (mm)	Ø discharge (mm)	Weight (kg)
11033057	187	459	460	160/125	3.7



Encombrement en mm

11033057

EasyHOME PureAIR COMPACT Classic unit

Airflow data

References	Max. airflow ErP (m³/h)
11033057	241

Acoustic data

References	Sound pressure at 2 m from the kitchen terminal (dB(A))	Sound power at kitchen terminal (dB(A))	Sound power at the unit at 100 m3/h (dB(A))	Sound power ErP (dB(A))
11033057	10	27	39	44

Thermal data

References	Average daily consumption 2-bed dwelling (1 bathroom + 1 WC) (W)	Max. power in BOOST mode (W)	Max. power in BOOST mode (W)
11033057	14	26	14

Electrical datas

References	Frequency (Hz)	Protection current (A)	Max. current (A)	Voltage (V)
11033057	50	2	0,2	230

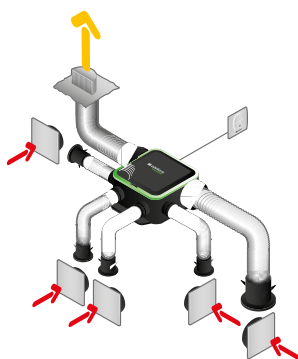
Regulatory data

References	Energy class ErP
11033057	E

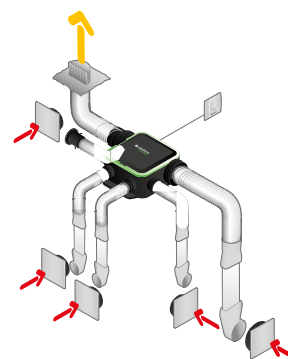
Installation visual 1



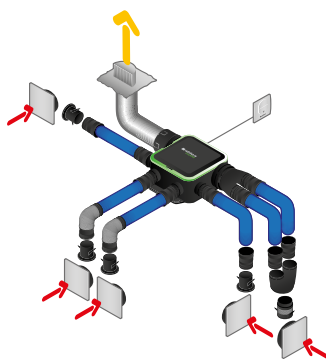
Montage faux-plafond



Installation avec conduits souples Algaïne



Installation avec conduits rigides Minigaine

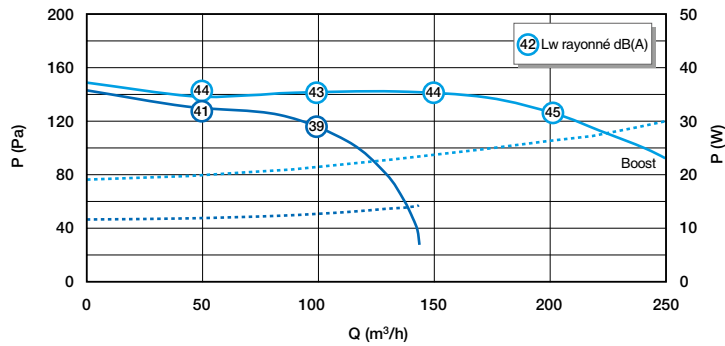


Installation avec conduits semi-rigides Optiflex

11033057

EasyHOME PureAIR COMPACT Classic unit

Curve



Courbe aéraulique et acoustique EasyHOME PureAIR COMPACT Classic