

Insulation of ductwork branch

11033058

EasyHOME PureAIR COMPACT unit + ColorLINE® ventilation grilles + AirFILTER® air inlets

EasyHOME PureAIR COMPACT Classic renews and purifies the air inside your dwelling using VOC and H2O sensors and its automatic high speed.



PRODUCT BENEFITS

- VOC and H2O sensors,
- high automatic fan speed in kitchen and bathroom,
- 77% recycled plastic.

REGULATIONS AND COMPLIANCES

Identification no. QB37 : NA
 Technical Opinion no. : NA

Principles of operation

EasyHOME PureAIR Classic renews and purifies the air inside your dwelling. Using air quality sensors, it offers automatic high-speed operation in kitchens and bathrooms when the VOC or humidity level rises.

Product description

EasyHOME PureAIR COMPACT Classic is a central ventilation and air purification solution which detects and removes volatile organic compounds (VOC) and humidity from the dwelling using two operating modes.

The PureAIR COMPACT classic system is fitted with two electronic multi-pollutant sensors: 1 VOC sensor and 1 H2O sensor, fitted on the fan unit.

Combined with AirFILTER air inlets fitted with a pollen filter, the PureAIR solution filters outdoor air for optimal air quality inside the dwelling.

Ultra-flat and multi-position, EasyHOME PureAIR COMPACT Classic is suitable for installation in small interior spaces, for example in a suspended ceiling or utility room.

Installation

- multi-position installation: wall, ceiling, floor, sloped surface,
- just 2 attachment screws: centreline 406 mm,
- built-in anti-vibration strips,
- quick-connect electrical terminal block,
- flexible ducts connected directly to the unit,
- optional ALGAINE EasyCLIP accessories available.

Reference arguments

- Application:
 - For individual houses or apartments,
 - For exhaust ventilation system - Refurbishment,
 - New system or replacement of existing ventilation system,
 - Connects 1 kitchen and up to 4 bathrooms/WC.
- Description:
 - ATTIC unit made of recyclable plastic: 1 x Ø125 kitchen connection, 4 x Ø80 bath/WC connections, 1 x Ø160/125 discharge,
 - Exhaust airflow controlled according to level of pollutants detected, using electronic VOC and H2O sensors installed on the fan motor,
 - 2-speed AC motor

Insulation of ductwork branch

11033058

EasyHOME PureAIR COMPACT unit + ColorLINE® ventilation grilles + AirFILTER® air inlets

Main characteristics

- COMPACT unit made of recyclable plastic,
- connections on unit for 1 kitchen and up to 4 bathrooms/WC:
 - 1 x Ø 125 mm connection for kitchen,
 - 4 x Ø 80 mm connections for bathroom/WC,
 - 1 x Ø 160/125 mm outlet using adapter supplied.
- installation symbols on the unit and accessories,
- exhaust airflow controlled according to level of pollutants detected,
- 2 purification modes: AUTO mode and BOOST mode for bathroom/kitchen,
- 2-speed AC motor,
- kits supplied with 3 ColorLINE® ventilation grilles and 4 AirFILTER® air inlets.

Supplementary characteristics

- AUTO mode:
 - day-to-day operation mode,
 - low constant ventilation speed,
 - air renewal suited to room ventilated (kitchen, bathroom, WC).
- BOOST bath/kitchen mode:
 - automatic high speed in bathroom and kitchen,
 - automatic activation when the VOC level and humidity level in the dwelling rise,
 - manual activation possible using a push button (not supplied).

Contents of kits

- VOC sensor;1
- humidity sensor;1
- kitchen auto amplifier;1
- bathroom auto amplifier;2
- WC controller;1
- plug Ø 80 mm;2
- outlet adapter Ø 160/125 mm;1
- ColorLINE white grille Ø 125 mm + sleeve;1
- ColorLINE white grille Ø 80 mm + sleeve;2
- AirFILTER filtered air inlet + hood;4

Accessories

Description	Variants
Collar + connector EasyCLIP Ø125 mm	11033010
Collar + connector EasyCLIP Ø80 mm	11033011
Connector EasyCLIP + collar Ø 160 mm	11033016
CMEV push button for BAHIA CURVE terminal	11026011

General data

Variants	Number of connections Ø 125 mm	Number of connections Ø 80 mm	Maximum number of bathrooms/ WC	Number of speeds	Type of motor
11033058	1	4	4	2	AC

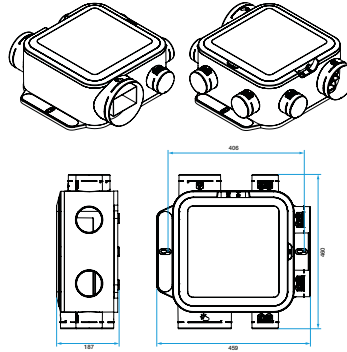
Insulation of ductwork branch

11033058

EasyHOME PureAIR COMPACT unit + ColorLINE® ventilation grilles + AirFILTER® air inlets

Dimensional data

Variants	H (mm)	L (mm)	P (mm)	Ø discharge (mm)	Weight (kg)
11033058	187	459	460	160/125	3.7



Airflow data

Variants	Max. airflow ErP (m³/h)
11033058	241

Acoustic data

Variants	Sound pressure at 2 m from the kitchen terminal (dB(A))	Sound power at kitchen terminal (dB(A))	Sound power at the unit at 100 m³/h (dB(A))	Sound power ErP (dB(A))
11033058	10	27	39	44

Heat recovery data

Variants	Average daily consumption 2-bed dwelling (1 bathroom + 1 WC) (W)	Max. power in BOOST mode (W)	Max. power in BOOST mode (W)
11033058	14	26	14

Electrical datas

Variants	Voltage (V)	Frequency (Hz)	Max. current (A)	Protection current (A)
11033058	230	50	0,2	2

Insulation of ductwork branch

11033058

EasyHOME PureAIR COMPACT unit + ColorLINE® ventilation grilles + AirFILTER® air inlets

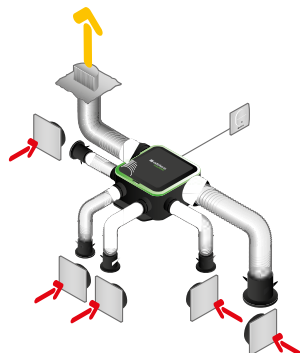
Regulatory data

Variants	Energy class – Average climate
11033058	E

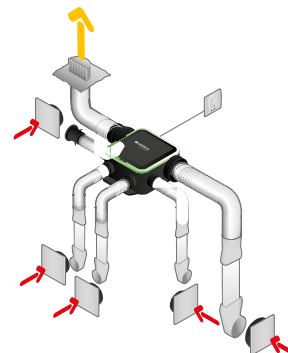
Installation



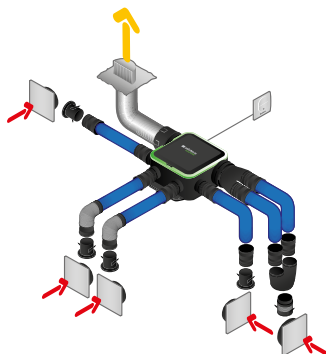
Montage faux-plafond



Installation avec conduits souples Algaïne



Installation avec conduits rigides Minigaine



Installation avec conduits semi-rigides Optiflex

Curve

