

11033056

EasyHOME PureAIR Classic kit + ColorLINE® ventilation grilles + Air-FILTER® air inlets

EasyHOME PureAIR Classic renews and purifies the air inside your dwelling using VOC and H2O sensors and its automatic high speed.



Kit CLASSIC



Unit top view

PRODUCT BENEFITS

- VOC and H2O sensors,
- high automatic fan speed in kitchen and bathroom,
- 78% recycled plastic.

REGLEMENTATIONS AND COMPLIANCES

Identification no. QB37 : NA
Technical Opinion no. : NA

Principles of operation

EasyHOME PureAIR Classic renews the air in your dwelling and filters incoming air. Using air quality sensors, it offers automatic high-speed operation in kitchens and bathrooms when the VOC or humidity level rises.

Product description

EasyHOME PureAIR Classic is a ventilation solution that detects and removes volatile organic compounds (VOCs) and humidity from the dwelling through 2 operating modes.

The PureAIR Classic unit is equipped with 2 electronic multi-pollutant sensors: 1 VOC sensor and 1 H2O sensor fitted on the fan unit.

When associated with AirFILTER air inlets fitted with a pollen filter, the PureAIR solution filters incoming air for optimal indoor air quality.

EasyHOME PureAIR Classic can be installed in an attic.

Fields of application

Individual residential housing, Refurbishment

Installation

- suspended attachment in attic with cord supplied,
- can be mounted on a vertical wall using the optional wall mounting kit: centreline pitch 95 mm,
- quick-connect electrical terminal block,
- flexible ducts connected directly to the unit,
- optional EasyCLIP Algaine accessories available.

Reference arguments

• Application:

- Individual residential,
- Unidirectional ventilation systems,
- Refurbishment,
- New system or replacement of existing ventilation system,
- Connects 1 kitchen and up to 4 bathrooms/WC.

• Description:

- ATTIC unit made of recyclable plastic: 1 x Ø125 kitchen connection, 4 x Ø80 bath/WC connections, 1 x Ø160/125 discharge,
- Exhaust airflow controlled according to level of pollutants detected, using electronic VOC and H2O sensors installed on the fan motor,
- 2-speed AC motor

11033056

EasyHOME PureAIR Classic kit + ColorLINE® ventilation grilles + Air-FILTER® air inlets

Main characteristics

- attic unit made of recyclable plastic material,
- connections on unit for one kitchen and up to 4 Bath/shower rooms:
 - 1 x Ø 125 mm connection for kitchen,
 - 4 x Ø 80 mm connections for bath/shower,
 - 1 x Ø 160/125 mm outlet with the supplied adapter.
- symbols on unit and accessories to help with assembly,
- exhaust airflows controlled according to pollutant concentration detected by the unit,
- 2 ventilation modes: DAILY mode and KITCHEN/BATH BOOST mode,
- 2-speed AC motor,
- kits delivered with 3 ColorLINE® ventilation grilles and 4 AirFILTER® air inlets.

Supplementary characteristics

- AUTO mode:
 - day-to-day operation mode,
 - low constant ventilation speed,
 - air renewal suited to room ventilated (kitchen, bathroom, WC).
- BOOST bath/kitchen mode:
 - automatic high speed in bathroom and kitchen,
 - automatic activation when the VOC level and humidity level in the dwelling rise,
 - manual activation possible using a push button (not supplied).

Contents of kits

- VOC sensor;1
- humidity sensor;1
- kitchen auto amplifier;1
- bathroom auto amplifier;2
- WC controller;2
- suspension cord;1
- plug Ø 80 mm;2
- outlet adapter Ø 160/125 mm;1
- ColorLINE white grille Ø 125 mm + sleeve;1
- ColorLINE white grille Ø 80 mm + sleeve;2
- AirFILTER filtered air inlet + hood;4

Accessories

Désignations	References
Collar + connector EasyCLIP Ø125 mm	11033010
Collar + connector EasyCLIP Ø80 mm	11033011
Wall mounting kit OPTIMA with silent blocks	11033015
Connector EasyCLIP + collar Ø 160 mm	11033016
CMEV push button for BAHIA CURVE terminal	11026011

General data

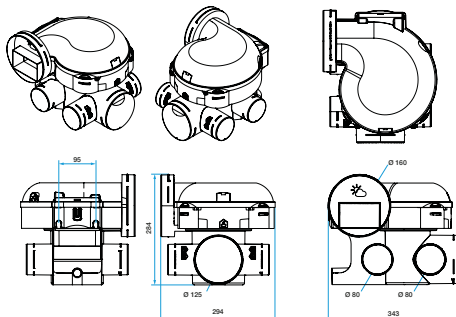
References	Number of connections Ø 125 mm	Number of connections Ø 80 mm	Maximum number of bathrooms/ WC	Number of speeds	Type of motor
11033056	1	4	4	2	AC

11033056

EasyHOME PureAIR Classic kit + ColorLINE® ventilation grilles + Air-FILTER® air inlets

Dimensional data

References	H (mm)	L (mm)	P (mm)	Ø discharge (mm)	Weight (kg)
11033056	284	294	343	160/125	2.8



Encombrement en mm

Airflow data

References	Max. airflow ErP (m³/h)
11033056	241

Acoustic data

References	Sound pressure at 2 m from the kitchen terminal (dB(A))	Sound power at kitchen terminal (dB(A))	Sound power at the unit at 100 m3/h (dB(A))	Sound power ErP (dB(A))
11033056	14	31	41	45

Thermal data

References	Average daily consumption 2-bed dwelling (1 bathroom + 1 WC) (W)	Max. power in BOOST mode (W)	Max. power in BOOST mode (W)
11033056	14	26	14

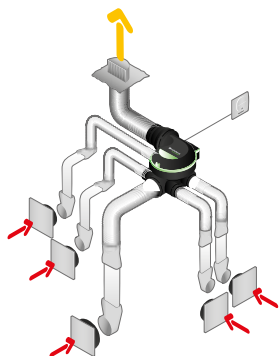
Electrical datas

References	Frequency (Hz)	Protection current (A)	Max. current (A)	Voltage (V)
11033056	50	2	0,2	230

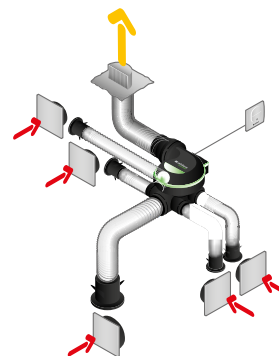
Regulatory data

References	Energy class ErP
11033056	E

Installation visual 1



Installation avec conduits souples Algaïne

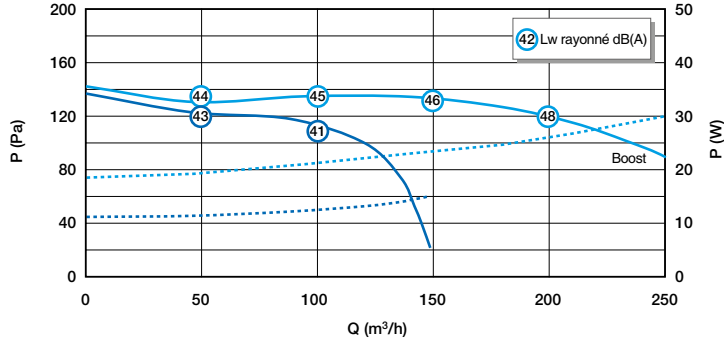


Installation avec conduits rigides Minigaine

11033056

EasyHOME PureAIR Classic kit + ColorLINE® ventilation grilles + Air-FILTER® air inlets

Curve



Courbe aéraulique et acoustique EasyHOME PureAIR Classic