

11033055

EasyHOME PureAIR Classic unit

EasyHOME PureAIR Classic renews and purifies the air inside your dwelling using VOC and H2O sensors and its automatic high speed.



CLASSIC unit



Unit top view

PRODUCT BENEFITS

- VOC and H2O sensors,
- high automatic fan speed in kitchen and bathroom,
- 78% recycled plastic.

REGLEMENTATIONS AND COMPLIANCES

Identification no. QB37 : NA
Technical Opinion no. : NA

Principles of operation

EasyHOME PureAIR Classic renews the air in your dwelling and filters incoming air. Using air quality sensors, it offers automatic high-speed operation in kitchens and bathrooms when the VOC or humidity level rises.

Product description

EasyHOME PureAIR Classic is a ventilation solution that detects and removes volatile organic compounds (VOCs) and humidity from the dwelling through 2 operating modes.

The PureAIR Classic unit is equipped with 2 electronic multi-pollutant sensors: 1 VOC sensor and 1 H2O sensor fitted on the fan unit.

When associated with AirFILTER air inlets fitted with a pollen filter, the PureAIR solution filters incoming air for optimal indoor air quality.

EasyHOME PureAIR Classic can be installed in an attic.

Fields of application

Individual residential housing, Refurbishment

Installation

- suspended attachment in attic with cord supplied,
- can be mounted on a vertical wall using the optional wall mounting kit: centreline pitch 95 mm,
- quick-connect electrical terminal block,
- flexible ducts connected directly to the unit,
- optional EasyCLIP Algaine accessories available.

Reference arguments

• Application:

- Individual residential,
- Unidirectional ventilation systems,
- Refurbishment,
- New system or replacement of existing ventilation system,
- Connects 1 kitchen and up to 4 bathrooms/WC.

• Description:

- ATTIC unit made of recyclable plastic: 1 x Ø125 kitchen connection, 4 x Ø80 bath/WC connections, 1 x Ø160/125 discharge,
- Exhaust airflow controlled according to level of pollutants detected, using electronic VOC and H2O sensors installed on the fan motor,
- 2-speed AC motor

11033055

EasyHOME PureAIR Classic unit

Main characteristics

- attic unit made of recyclable plastic material,
- connections on unit for one kitchen and up to 4 Bath/shower rooms:
 - 1 x Ø 125 mm connection for kitchen,
 - 4 x Ø 80 mm connections for bath/shower,
 - 1 x Ø 160/125 mm outlet with the supplied adapter.
- symbols on unit and accessories to help with assembly,
- exhaust airflows controlled according to pollutant concentration detected by the unit,
- 2 ventilation modes: DAILY mode and KITCHEN/BATH BOOST mode,
- 2-speed AC motor,
- kits delivered with 3 ColorLINE® ventilation grilles and 4 AirFILTER® air inlets.

Supplementary characteristics

- AUTO mode:
 - day-to-day operation mode,
 - low constant ventilation speed,
 - air renewal suited to room ventilated (kitchen, bathroom, WC).
- BOOST bath/kitchen mode:
 - automatic high speed in bathroom and kitchen,
 - automatic activation when the VOC level and humidity level in the dwelling rise,
 - manual activation possible using a push button (not supplied).

Contents of kits

- COV sensor;1
- humidity sensor;1
- kitchen auto amplifier;1
- bathroom auto amplifier;2
- WC controller;2
- suspension cord;1
- plug Ø 80 mm;2
- outlet adapter Ø 160/125 mm;1

Accessories

Désignations	References
Collar + connector EasyCLIP Ø125 mm	11033010
Collar + connector EasyCLIP Ø80 mm	11033011
Wall mounting kit OPTIMA with silent blocks	11033015
Connector EasyCLIP + collar Ø 160 mm	11033016
CMEV push button for BAHIA CURVE terminal	11026011

General data

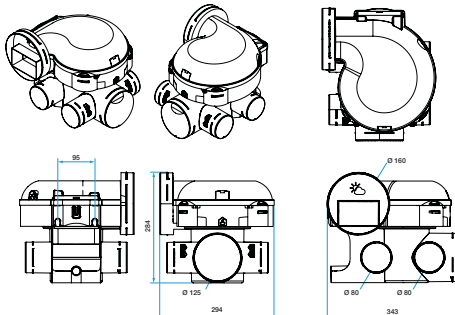
References	Number of connections Ø 125 mm	Number of connections Ø 80 mm	Maximum number of bathrooms/ WC	Number of speeds	Type of motor
11033055	1	4	4	2	AC

11033055

EasyHOME PureAIR Classic unit

Dimensional data

References	H (mm)	L (mm)	P (mm)	Ø discharge (mm)	Weight (kg)
11033055	284	294	343	160/125	2.8



Encombrement en mm

Airflow data

References	Max. airflow ErP (m³/h)
11033055	241

Acoustic data

References	Sound pressure at 2 m from the kitchen terminal (dB(A))	Sound power at kitchen terminal (dB(A))	Sound power at the unit at 100 m3/h (dB(A))	Sound power ErP (dB(A))
11033055	14	31	41	45

Thermal data

References	Average daily consumption 2-bed dwelling (1 bathroom + 1 WC) (W)	Max. power in BOOST mode (W)	Max. power in BOOST mode (W)
11033055	14	26	14

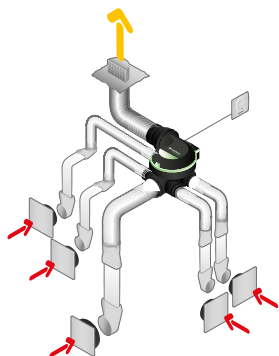
Electrical datas

References	Frequency (Hz)	Protection current (A)	Max. current (A)	Voltage (V)
11033055	50	2	0,2	230

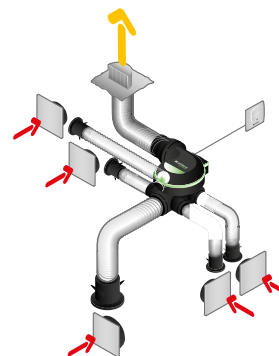
Regulatory data

References	Energy class ErP
11033055	E

Installation visual 1



Installation avec conduits souples Algaïne

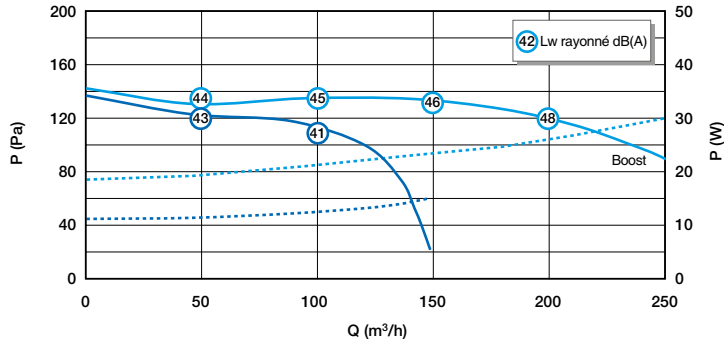


Installation avec conduits rigides Minigaine

11033055

EasyHOME PureAIR Classic unit

Curve



Aerodynamic and acoustic curve EasyHOME PureAIR Classic