

Ventilation box fan

11034966
EasyVEC® C4 PRO 3000

The best-designed range of exhaust box fans on the market, making ventilation efficient, serene, and easy.



EasyVEC-C4-PRO-2500



EasyVEC-C4-PRO-2500

PRODUCT BENEFITS

- wide range from 400 to 4,000 m³/h
- 50% less power consumption than a Standard unit,
- 100% recyclable.

REGLEMENTATIONS AND COMPLIANCES

Technical Opinion no.: 14.5/17-2267_V3 ; 14.5/16-2185_V2

Principles of operation

EasyVEC® C4 ventilates multi-occupancy residential buildings to ensure correct air quality in dwellings and preserve the building structure.

Product description

EasyVEC® C4 PRO ventilates multi-occupancy residential buildings to ensure correct air quality in dwellings and preserve the building structure. Combined with the T.Flow® Hygro+ / Nano domestic hot water production solution, the heat calories naturally present in air extracted from the dwelling are exchanged and used as a heat source to heat the water.

The Micro-watt constant pressure controller enables significant savings on heating costs compared to a non-regulated (standard) fan unit. AldesConnect™ Pro can remotely monitor the fan unit for greater responsiveness in handling breakdowns and malfunctions.

Fields of application

Multi-occupancy residential housing, New, Refurbishment

Installation

- installation:
 - on anti-vibration slab as per DTU 68.3 recommendations,,
 - indoor or outdoor location,
 - sufficient space must be left in front of the box fan to avoid obstructing the access panel and allow maintenance of internal components.
 - for roof installation, preferably positioned out of the wind to limit pressure losses at the outlet.
- For better acoustic and aeraulic performances, we recommend that you:
 - install sound attenuators at the unit connections,
 - use the ALDES VIRTUO-FIX range of sealed accessories,
 - use MS PRO sealed flexible sleeves to muffle ductwork vibrations.

Reference arguments

- Application:
 - C4 low consumption centralised unidirectional exhaust box fan for CMEV system,
 - new and refurbishment,
 - Micro-watt controller for pressure control,
 - attic / equipment rooms / flat roofs,
 - indoor / outdoor.
- Description:
 - EasyVEC® C4 Micro-Watt low consumption exhaust fan unit (C4 certification: 400°C - 1/2 hour),
 - easy to select: Selector poWair® and Conceptor Ventilation design software,
 - easy to configure via intuitive interface,
 - easy to service: link to documentation via QR code, single access panel, compatible with AldesConnect™ Pro supervision service (optional),
 - low power consumption.

Ventilation box fan

11034966 EasyVEC® C4 PRO 3000

Main characteristics

- Micro-watt control at constant pressure,
- 2 other additional control modes:
 - 0-10V input,
 - constant speed.
- EC low-consumption motor (50/60Hz),
- backward curve impeller,
- unit made of galvanised steel Z275,
- ergonomic and intuitive interface,
- proximity switch as standard,
- humidity-controlled or pre-configured T.Flow control mode
- compatible with all types of ductwork, even with junctions,
- central system: savings on maintenance,
- alarm relay available by wiring to the PCB,
- Modbus RS485 as standard
- multiple options and accessories:
 - fixed pressure switch 80 Pa for GAS CMEV,
 - ducted discharge,
 - AldesConnect® Pro.
- made in France.

Supplementary characteristics

- certification C4 Ø160,
- compatible with «Bahia» humidity-controlled ventilation technical approval no. 14.5/17-2267,
- ESC-eligible: BAR-TH-127.

Accessories

Désignations	References
Circuit breaker 4A - 6.3A	11057054
EASYVEC CONNECTOR T5 D400	11034444
Modbus remote control for EASYVEC C4	11034940

Associated services

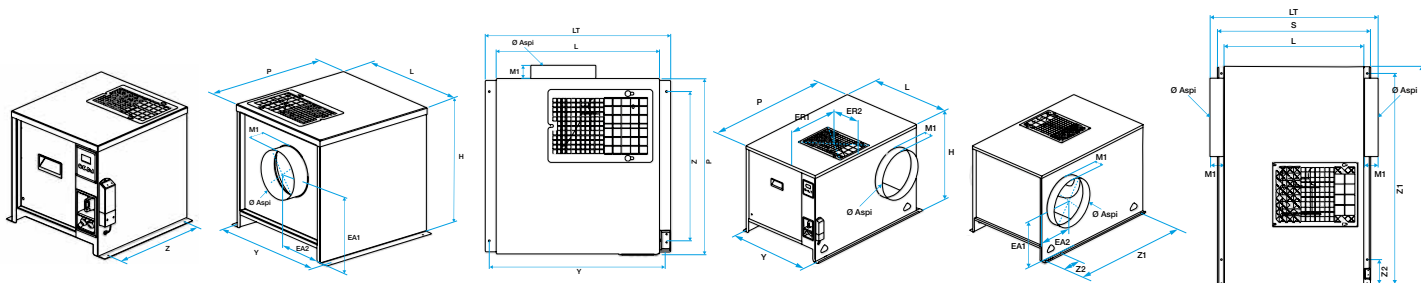
Commissioning

General data

References	Type of motor
11034966	EC

Dimensional data

References	EA1 (mm)	EA2 (mm)	ER1 (mm)	ER2 (mm)	H (mm)	HP (mm)	HT (mm)	L (mm)	LT (mm)	M1 (mm)
11034966	385	232	425	225	659	60	659	637	762	60



EasyVEC C4 PRO 400 - 700

EasyVEC C4 PRO 1000 - 4000

Airflow data

References	Airflow (m³/h)
11034966	3000

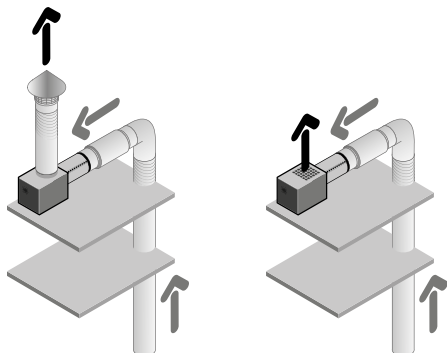
Ventilation box fan

11034966 EasyVEC® C4 PRO 3000

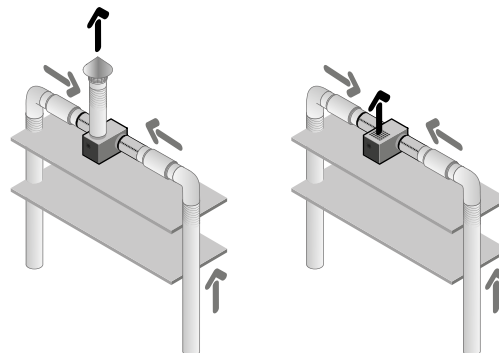
Electrical datas

References	Protection rating	Maximum current (A)	Maximum power (W)	Power supply	Max. power
11034966	IP24	4.11	429	Single-phase	429

Installation visual 1

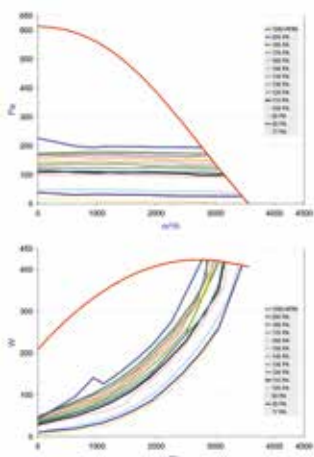


400-700 m3/h



1000-4000 m3/h

Curve



- > Aeraulic curves drawn up as per standard NF EN ISO 5801.
- > P (Pa) = static pressure.
- > P (W) = power consumption.

EasyVEC-C4-PRO-3000

M2 (mm)	P (mm)	PT (mm)	S (mm)	Y (mm)	Z1 (mm)	Z2 (mm)	Ø (mm)	Weight (kg)
60	1007	384.5	695	665	942	170	355	75