

Ventilation box fan

11034960
EasyVEC® C4 PRO 400

The best-designed range of exhaust box fans on the market, making ventilation efficient, serene, and easy.



EasyVEC-C4-PRO-400



EasyVEC C4 PRO 400 Face

PRODUCT BENEFITS

- wide range from 400 to 4,000 m³/h
- 50% less power consumption than a Standard unit,
- 100% recyclable.

REGLEMENTATIONS AND COMPLIANCES

Technical Opinion no.: 14.5/17-2267_V3 ; 14.5/16-2185_V2

Principles of operation

EasyVEC® C4 ventilates multi-occupancy residential buildings to ensure correct air quality in dwellings and preserve the building structure.

Product description

EasyVEC® C4 PRO ventilates multi-occupancy residential buildings to ensure correct air quality in dwellings and preserve the building structure. Combined with the T.Flow® Hygro+ / Nano domestic hot water production solution, the heat calories naturally present in air extracted from the dwelling are exchanged and used as a heat source to heat the water.

The Micro-watt constant pressure controller enables significant savings on heating costs compared to a non-regulated (standard) fan unit. AldesConnect™ Pro can remotely monitor the fan unit for greater responsiveness in handling breakdowns and malfunctions.

Fields of application

Multi-occupancy residential housing, New, Refurbishment

Installation

- installation:
 - on anti-vibration slab as per DTU 68.3 recommendations,,
 - indoor or outdoor location,
 - sufficient space must be left in front of the box fan to avoid obstructing the access panel and allow maintenance of internal components.
 - for roof installation, preferably positioned out of the wind to limit pressure losses at the outlet.
- For better acoustic and aeraulic performances, we recommend that you:
 - install sound attenuators at the unit connections,
 - use the ALDES VIRTUO-FIX range of sealed accessories,
 - use MS PRO sealed flexible sleeves to muffle ductwork vibrations.

Reference arguments

- Application:
 - C4 low consumption centralised unidirectional exhaust box fan for CMEV system,
 - new builds and refurbishment,
 - micro-watt+ controller for constant pressure control,
 - attic / equipment room / flat roofs,
 - indoor / outdoor.
- Description:
 - EasyVEC® C4 Micro-Watt low-consumption exhaust box fan (C4 certification: 400 °C - 1/2 hour),
 - easy to select: Selector poWair® and Conceptor Ventilation design software,
 - easy to configure via intuitive interface,
 - easy to service: link to documentation via QR code, single access panel, compatible with AldesConnect™ Pro supervision service (optional),
 - very low power consumption.

Ventilation box fan

11034960 EasyVEC® C4 PRO 400

Main characteristics

- Micro-watt control at constant pressure,
- 2 other additional control modes:
 - 0-10V input,
 - constant speed.
- EC low-consumption motor (50/60Hz),
- backward curve impeller,
- unit made of galvanised steel Z275,
- ergonomic and intuitive interface,
- proximity switch as standard,
- humidity-controlled or pre-configured T.Flow control mode
- compatible with all types of ductwork, even with junctions,
- central system: savings on maintenance,
- alarm relay available by wiring to the PCB,
- Modbus RS485 as standard
- multiple options and accessories:
 - fixed pressure switch 80 Pa for GAS CMEV,
 - ducted discharge,
 - AldesConnect® Pro.
- made in France.

Supplementary characteristics

- certification C4 Ø160,
- compatible with «Bahia» humidity-controlled ventilation technical approval no. 14.5/17-2267,
- ESC-eligible: BAR-TH-127.

Accessories

Désignations	References
Pressure switch kit EasyVEC® 80 Pa	11056439
MS Pro M0 Ø160 mm	11094691
Aldes ConnectPro® Box Pro	11034920
MS PRO V2 D160	11094295

Associated services

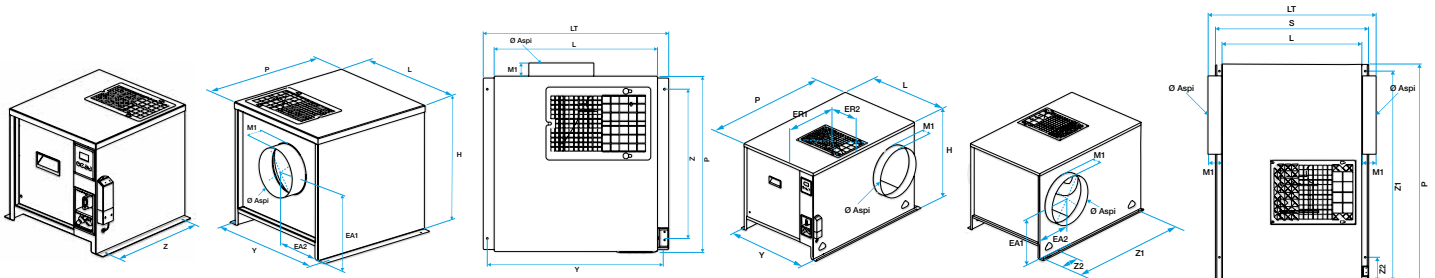
Commissioning

General data

References	Type of motor
11034960	EC

Dimensional data

References	EA1 (mm)	EA2 (mm)	ER1 (mm)	ER2 (mm)	H (mm)	HP (mm)	HT (mm)	L (mm)	LT (mm)	M1 (mm)
11034960	253	164	295	138	408,3	57.1	408.3	401,6	401,6	42.2



EasyVEC C4 PRO 400 - 700

EasyVEC C4 PRO 1000 - 4000

Airflow data

References	Airflow (m³/h)
11034960	400

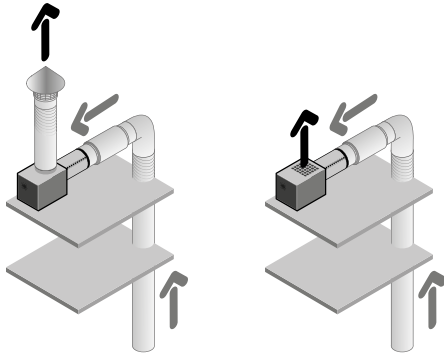
Ventilation box fan

11034960 EasyVEC® C4 PRO 400

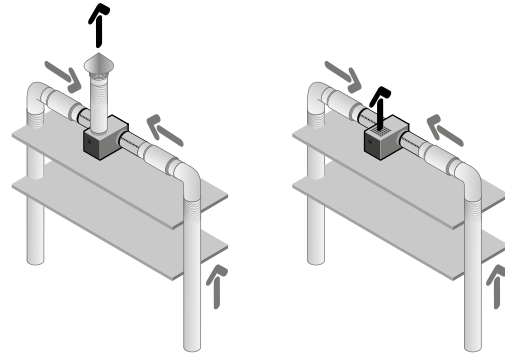
Electrical datas

References	Protection rating	Maximum current (A)	Maximum power (W)	Power supply	Max. power
11034960	IP24	0,5	50	Single-phase	50

Installation visual 1

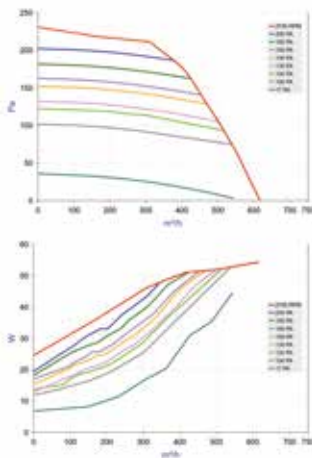


400-700 m3/h



1000-4000 m3/h

Curve



> Aerologic curves drawn up as per standard NF EN ISO 5801.

> P (Pa) = static pressure.

> P (W) = power consumption.

EasyVEC-C4-PRO-400

M2 (mm)	P (mm)	PT (mm)	S (mm)	Y (mm)	Z (mm)	Ø (mm)	Weight (kg)
57.1	432	474	456.5	430	367	160	25