

## Ventilation box fan

11034967  
EasyVEC® C4 PRO 4000

The best-designed range of exhaust box fans on the market, making ventilation efficient, serene, and easy.



EasyVEC-C4-PRO-4000



EasyVEC-C4-PRO-4000

## PRODUCT BENEFITS

- wide range from 400 to 4,000 m<sup>3</sup>/h
- 50% less power consumption than a Standard unit,
- 100% recyclable.

## REGLEMENTATIONS AND COMPLIANCES

Technical Opinion no.: 14.5/17-2267\_V3 ; 14.5/16-2185\_V2

## Principles of operation

EasyVEC® C4 ventilates multi-occupancy residential buildings to ensure correct air quality in dwellings and preserve the building structure.

## Product description

EasyVEC® C4 PRO ventilates multi-occupancy residential buildings to ensure correct air quality in dwellings and preserve the building structure. Combined with the T.Flow® Hygro+ / Nano domestic hot water production solution, the heat calories naturally present in air extracted from the dwelling are exchanged and used as a heat source to heat the water.

The Micro-watt constant pressure controller enables significant savings on heating costs compared to a non-regulated (standard) fan unit. AldesConnect™ Pro can remotely monitor the fan unit for greater responsiveness in handling breakdowns and malfunctions.

## Fields of application

Multi-occupancy residential housing, New, Refurbishment

## Installation

- installation:
  - on anti-vibration slab as per DTU 68.3 recommendations,,
  - indoor or outdoor location,
  - sufficient space must be left in front of the box fan to avoid obstructing the access panel and allow maintenance of internal components.
  - for roof installation, preferably positioned out of the wind to limit pressure losses at the outlet.
- For better acoustic and aeraulic performances, we recommend that you:
  - install sound attenuators at the unit connections,
  - use the ALDES VIRTUO-FIX range of sealed accessories,
  - use MS PRO sealed flexible sleeves to muffle ductwork vibrations.

## Reference arguments

- Application:
  - C4 low consumption centralised unidirectional exhaust box fan for CMEV system,
  - new and refurbishment,
  - Micro-watt controller for pressure control,
  - attic / equipment rooms / flat roofs,
  - indoor / outdoor.
- Description:
  - EasyVEC® C4 Micro-Watt low consumption exhaust fan unit (C4 certification: 400°C - 1/2 hour),
  - easy to select: Selector poWair® and Conceptor Ventilation design software,
  - easy to configure via intuitive interface,
  - easy to service: link to documentation via QR code, single access panel, compatible with AldesConnect™ Pro supervision service (optional),
  - low power consumption.

Ventilation box fan

## 11034967 EasyVEC® C4 PRO 4000

### Main characteristics

- Micro-watt control at constant pressure,
- 2 other additional control modes:
  - 0-10V input,
  - constant speed.
- EC low-consumption motor (50/60Hz),
- backward curve impeller,
- unit made of galvanised steel Z275,
- ergonomic and intuitive interface,
- proximity switch as standard,
- humidity-controlled or pre-configured T.Flow control mode
- compatible with all types of ductwork, even with junctions,
- central system: savings on maintenance,
- alarm relay available by wiring to the PCB,
- Modbus RS485 as standard
- multiple options and accessories:
  - fixed pressure switch 80 Pa for GAS CMEV,
  - ducted discharge,
  - AldesConnect® Pro.
- made in France.

### Supplementary characteristics

- certification C4 Ø160,
- compatible with «Bahia» humidity-controlled ventilation technical approval no. 14.5/17-2267,
- ESC-eligible: BAR-TH-127.

### Accessories

Désignations	References
Circuit breaker 6.3A - 10A	11057055
PACK 4 SHOCK ABSORBERS VEC 2	11034381
Modbus remote control for EASYVEC C4	11034940

### Associated services

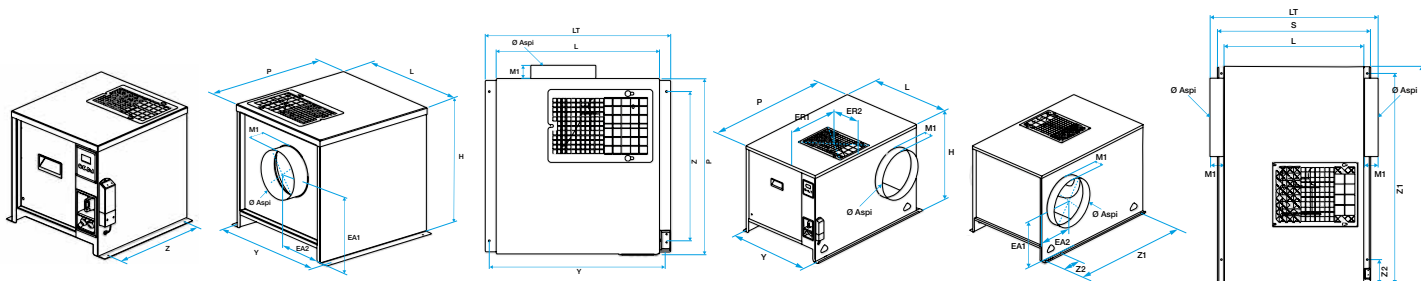
Commissioning

### General data

References	Type of motor
11034967	EC

### Dimensional data

References	EA1 (mm)	EA2 (mm)	ER1 (mm)	ER2 (mm)	H (mm)	HP (mm)	HT (mm)	L (mm)	LT (mm)	M1 (mm)
11034967	439	256	427	275	747	58	747	714	827	58



EasyVEC C4 PRO 400 - 700

EasyVEC C4 PRO 1000 - 4000

### Airflow data

References	Airflow (m³/h)
11034967	4000

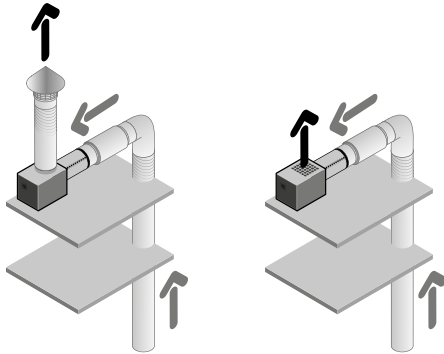
Ventilation box fan

## 11034967 EasyVEC® C4 PRO 4000

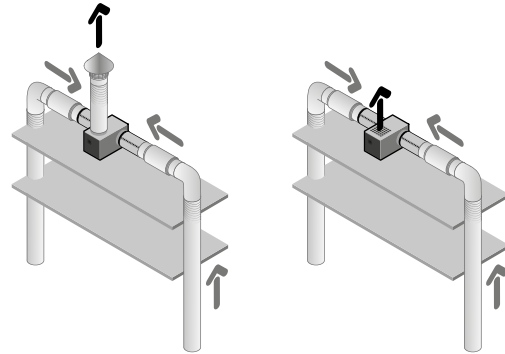
Electrical datas

References	Protection rating	Maximum current (A)	Maximum power (W)	Power supply	Max. power
11034967	IP24	6.34	615	Single-phase	615

Installation visual 1

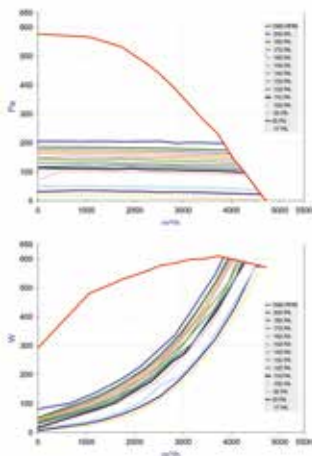


400-700 m3/h



1000-4000 m3/h

Curve



- > Aeraulic curves drawn up as per standard NF EN ISO 5801.
- > P (Pa) = static pressure.
- > P (W) = power consumption.

EasyVEC-C4-PRO-4000

M2 (mm)	P (mm)	PT (mm)	S (mm)	Y (mm)	Z1 (mm)	Z2 (mm)	Ø (mm)	Weight (kg)
58	1057	438.5	772	742	992	190	400	85