

Ventilation box fan

11034954

EasyVEC® C4 Standard 1000

The best-designed range of exhaust box fans on the market, making ventilation efficient, serene, and easy.



EasyVEC-C4Standard-2500

PRODUCT BENEFITS

- wide range from 400 to 12,000 m³/h
- 100% recyclable.

REGLEMENTATIONS AND COMPLIANCES

Technical Opinion no.: 14.5/17-2267_V3 ; 14.5/16-2185_V2

Principles of operation

EasyVEC® C4 ventilates multi-occupancy residential buildings to ensure correct air quality in dwellings and preserve the building structure.

Product description

EasyVEC® C4 Standard ventilates multi-occupancy residential buildings to ensure adequate air quality in dwellings and preserve the building structure.

Fields of application

Multi-occupancy residential housing, Refurbishment

Installation

- installation:
 - on anti-vibration slab as per DTU 68.3 recommendations,,
 - indoor or outdoor location,
 - sufficient space must be left in front of the box fan to avoid obstructing the access panel and allow maintenance of internal components.
 - for roof installation, preferably positioned out of the wind to limit pressure losses at the outlet.
- For better acoustic and aeraulic performances, we recommend that you:
 - install sound attenuators at the unit connections,
 - use the ALDES VIRTUO-FIX range of sealed accessories,
 - use MS PRO sealed flexible sleeves to muffle ductwork vibrations.

Reference arguments

- Application:
 - C4 Standard centralised unidirectional exhaust box fan for CMEV system,
 - refurbishment,
 - attic / equipment room / flat roofs,
 - indoor / outdoor.
- Description:
 - EasyVEC® C4 Standard box fan (C4 certification: 400 °C - 1/2 hour),
 - easy to select: Selector poWair® and Conceptor Ventilation design software,
 - easy to configure via intuitive interface,
 - easy to service: link to documentation via QR code, single access panel, compatible with AldesConnect™ Pro supervision service (optional),
 - speed controller as standard to match power needs precisely.

Ventilation box fan

11034954 EasyVEC® C4 Standard 1000

Main characteristics

- AC motor (50/60 Hz) for 400 and 700 models,
- EC motor (50/60 Hz) for 1000 to 2500 models,
- forward-curve impeller,
- unit made of galvanised steel Z275,
- proximity switch as standard,
- compatible with all types of ductwork, even with junctions,
- central system: savings on maintenance.
- multiple options and accessories:
 - fixed pressure switch 80 Pa for GAS CMEV,
 - ducted discharge.
- made in France.

Supplementary characteristics

- certification C4 Ø160,
- compatible with technical approval for "Bahia" humidity-controlled ventilation No. 14.5/17-2267.

Accessories

Désignations	References
Circuit breaker 1.6A - 2.5A	11057052
EASYVEC CONNECTOR T3 D315	11034442

Associated services

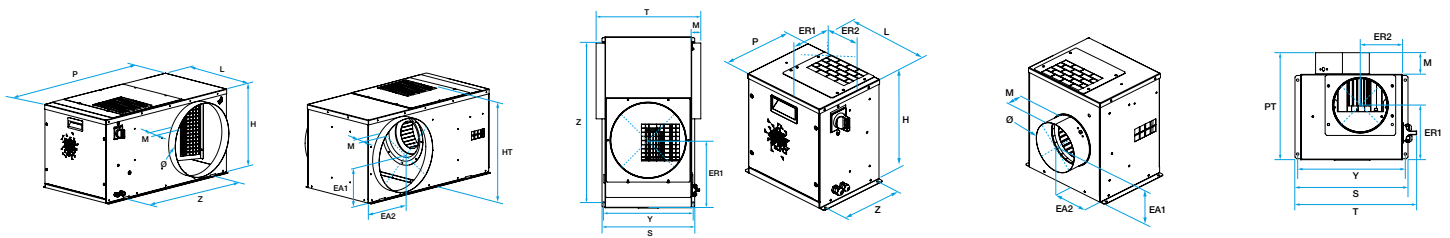
Commissioning

General data

References	Type of motor
11034954	EC

Dimensional data

References	EA1 (mm)	EA2 (mm)	ER1 (mm)	H (mm)	HP (mm)	L (mm)	M (mm)	P (mm)	PT (mm)	S (mm)
11034954	207	193.5	312	412,5	470.5	374	50	773	480	406.5



EasyVEC-C4 Standard 1000 - 2500

EasyVEC-C4 Standard 400-700

Airflow data

References	Airflow (m³/h)
11034954	1000

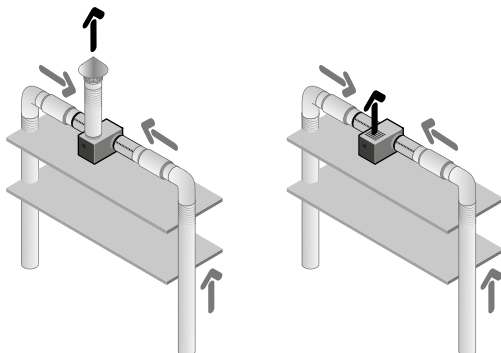
Ventilation box fan

11034954 EasyVEC® C4 Standard 1000

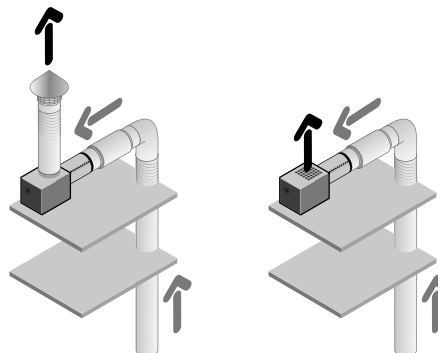
Electrical datas

References	Protection rating	Maximum current (A)	Maximum power (W)	Power supply	Max. power
11034954	IP24	2	230	Single-phase	230

Installation visual 1

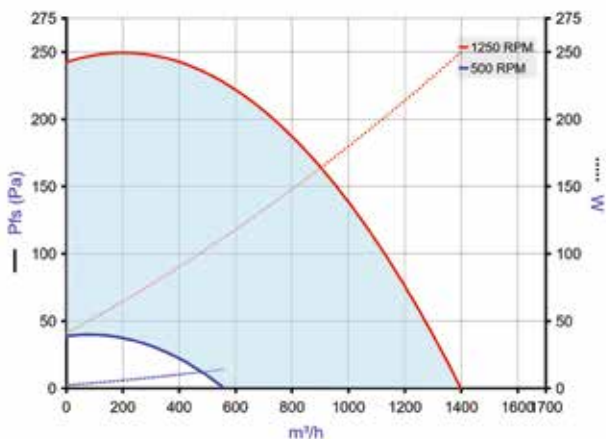


EasyVEC C4 Standard 1000 - 2500



EasyVEC C4 Standard 400-700

Curve



EasyVEC-C4Standard-1000

- > Aerulic curves drawn up as per standard NF EN ISO 5801.
- > P (Pa) = static pressure.
- > P (W) = power consumption.