

## Ventilation box fan

# 11034732

## EasyVEC® C4 Standard 10000 IP

The best-designed range of exhaust box fans on the market, making ventilation efficient, serene, and easy.



EasyVEC-C4Standard-4000



EasyVEC-C4Standard-4000

### PRODUCT BENEFITS

- wide range from 300 to 12,000 m<sup>3</sup>/h,
- compatible to replace unit only,
- can be dismantled (4,000 m<sup>3</sup>/h and higher),
- 100% recyclable.

### REGLEMENTATIONS AND COMPLIANCES

Technical Opinion no.: 14.5/17-2267\_V3 ; 14.5/16-2185\_V2

### Principles of operation

EasyVEC® C4 ventilates multi-occupancy residential buildings to ensure correct air quality in dwellings and preserve the building structure.

### Product description

The EasyVEC® C4 Standard fan is suited to the refurbishment market with its wide range of airflow possibilities and its single-phase or 3-phase power supply.

### Fields of application

Multi-occupancy residential housing, Refurbishment

### Installation

- installation:
  - on anti-vibration slab as per DTU 68.3 recommendations,,
  - indoor or outdoor location,
  - sufficient space must be left in front of the box fan to avoid obstructing the access panel and allow maintenance of internal components.
  - for roof installation, preferably positioned out of the wind to limit pressure losses at the outlet.
- for better acoustic and aeraulic performance, we recommend that you:
  - install sound attenuators at the unit connections,
  - use the ALDES VIRTUO-FIX range of sealed accessories,
  - use MS PRO sealed flexible sleeves to muffle ductwork vibrations.

### Reference arguments

- Application:
  - C4 Standard centralised unidirectional exhaust box fan for CMEV system,
  - refurbishment,
  - attic / equipment room / flat roofs,
  - indoor / outdoor.
- Description:
  - EasyVEC® C4 Standard box fan (C4 certification: 400 °C - 1/2 hour),
  - easy to select: Selector poWair® and Conceptor Ventilation design software,
  - easy to configure via intuitive interface,
  - easy to service: link to documentation via QR code, single access panel, compatible with AldesConnect™ Pro supervision service (optional),
  - speed controller as standard to match power needs precisely.

Ventilation box fan

## 11034732 EasyVEC® C4 Standard 10000 IP

### Main characteristics

- AC motor (50/60 Hz),
- backward curve impeller,
- speed controller as standard to match power needs precisely,
- galvanised panels Z275,
- proximity switch as standard,
- compatible with all ducting types even with junctions,
- centralised system: savings on maintenance.
- multiple options and accessories:
  - configuration 1: inlet and outlet in line,
  - 3-phase power supply 400 V 50 Hz,
  - fixed 80 Pa pressure switch for gas CMEV,
  - 25 mm rock wool double-skin insulation,
  - ducted outlet.
- made in France.

### Supplementary characteristics

- certification C4 Ø160,
- compatible with technical approval for "Bahia" humidity-controlled ventilation No. 14.5/17-2267.

### Accessories

Désignations	References
EasyVEC® grille T8 Ø 710 mm	11034450
Insulation kit EasyVEC® T8 Ø 710 mm	11034489
Pressure switch kit EasyVEC® 80 Pa	11056439
Modbus Card EasyVEC®	11034400
EasyVEC® Plug T8 Ø 710 mm	11034440
Flexible outlet sleeve kit 710mm	11025079
MS Pro M0 Ø710 mm	11094707

### Associated services

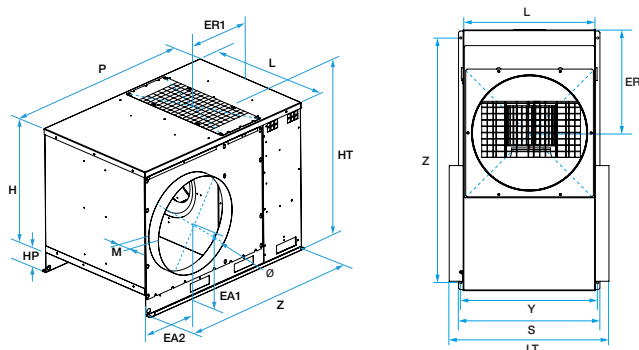
Commissioning

### General data

References	Type of motor
11034732	AC

### Dimensional data

References	EA1 (mm)	EA2 (mm)	ER1 (mm)	H (mm)	HP (mm)	HT (mm)	L (mm)	LT (mm)	M (mm)	P (mm)
11034732	552	394	522	1015	118	1183	908	1006	50	1420



EasyVEC-C4Standard-4000

### Airflow data

References	Airflow (m³/h)
11034732	10000

Ventilation box fan

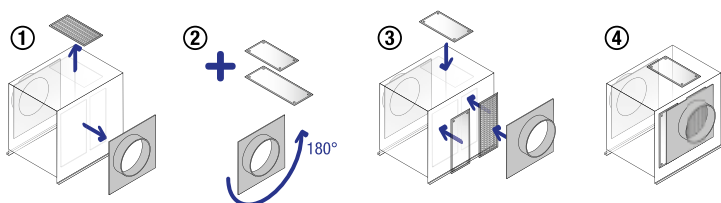
## 11034732

### EasyVEC® C4 Standard 10000 IP

Electrical datas

References	Protection rating	Maximum current (A)	Maximum power (W)	Power supply	Max. power
11034732	IP24	13,2	2050	Single-phase	2050

Installation visual 1



EasyVEC

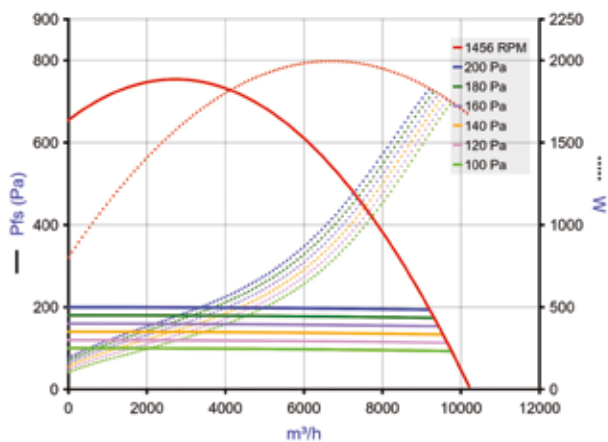
Principe de fonctionnement



EasyVEC® C4Standard

Curve

S (mm)  
961



- > Aeraulic curves drawn up as per standard NF EN ISO 5801.
- > P (Pa) = static pressure.
- > P (W) = power consumption.

EasyVEC-C4Standard-10000