

Ventilation box fan

11034709

EasyVEC® C4 Standard 6500 IP

The best-designed range of exhaust box fans on the market, making ventilation efficient, serene, and easy.



EasyVEC-C4Standard-4000



EasyVEC-C4Standard-4000

PRODUCT BENEFITS

- wide range from 300 to 12,000 m³/h,
- compatible to replace unit only,
- can be dismantled (4,000 m³/h and higher),
- 100% recyclable.

REGLEMENTATIONS AND COMPLIANCES

Technical Opinion no.: 14.5/17-2267_V3 ; 14.5/16-2185_V2

Principles of operation

EasyVEC® C4 ventilates multi-occupancy residential buildings to ensure correct air quality in dwellings and preserve the building structure.

Product description

The EasyVEC® C4 Standard fan is suited to the refurbishment market with its wide range of airflow possibilities and its single-phase or 3-phase power supply.

Fields of application

Multi-occupancy residential housing, Refurbishment

Installation

- installation:
 - on anti-vibration slab as per DTU 68.3 recommendations,,
 - indoor or outdoor location,
 - sufficient space must be left in front of the box fan to avoid obstructing the access panel and allow maintenance of internal components.
 - for roof installation, preferably positioned out of the wind to limit pressure losses at the outlet.
- for better acoustic and aeraulic performance, we recommend that you:
 - install sound attenuators at the unit connections,
 - use the ALDES VIRTUO-FIX range of sealed accessories,
 - use MS PRO sealed flexible sleeves to muffle ductwork vibrations.

Reference arguments

- Application:
 - C4 Standard centralised unidirectional exhaust box fan for CMEV system,
 - refurbishment,
 - attic / equipment room / flat roofs,
 - indoor / outdoor.
- Description:
 - EasyVEC® C4 Standard box fan (C4 certification: 400 °C - 1/2 hour),
 - easy to select: Selector poWair® and Conceptor Ventilation design software,
 - easy to configure via intuitive interface,
 - easy to service: link to documentation via QR code, single access panel, compatible with AldesConnect™ Pro supervision service (optional),
 - speed controller as standard to match power needs precisely.

Ventilation box fan

11034709

EasyVEC® C4 Standard 6500 IP

Main characteristics

- AC motor (50/60 Hz),
- backward curve impeller,
- speed controller as standard to match power needs precisely,
- galvanised panels Z275,
- proximity switch as standard,
- compatible with all ducting types even with junctions,
- centralised system: savings on maintenance.
- multiple options and accessories:
 - configuration 1: inlet and outlet in line,
 - 3-phase power supply 400 V 50 Hz,
 - fixed 80 Pa pressure switch for gas CMEV,
 - 25 mm rock wool double-skin insulation,
 - ducted outlet.
- made in France.

Supplementary characteristics

- certification C4 Ø160,
- compatible with technical approval for “Bahia” humidity-controlled ventilation No. 14.5/17-2267.

Accessories

Désignations	References
Circuit breaker 6.3A - 10A	11057055
EasyVEC® Plenum plug T7 Ø 630 mm	11034494
EasyVEC® connector T7 Ø 630 mm	11034446

Options

base
ARRGT1
ARRGT2
EXPORT
FIXE
ISOLA
REGLABLE
TRI

Associated services

Commissioning

General data

References	Type of motor
11034709	AC

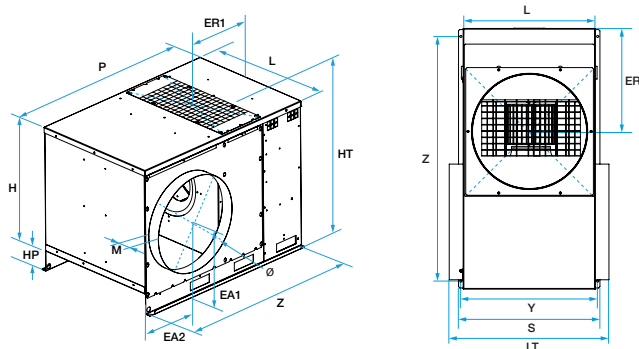
Ventilation box fan

11034709

EasyVEC® C4 Standard 6500 IP

Dimensional data

References	EA1 (mm)	EA2 (mm)	ER1 (mm)	H (mm)	HP (mm)	HT (mm)	L (mm)	LT (mm)	M (mm)	P (mm)
11034709	485	353	496	760	115	923.5	785	882	48.5	1195



EasyVEC-C4Standard-4000

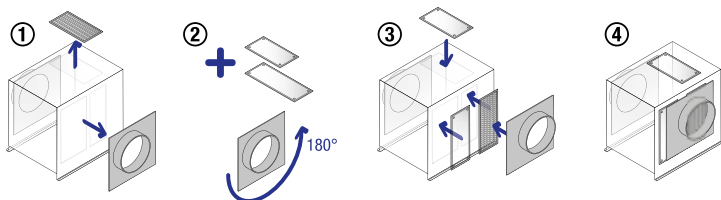
Airflow data

References	Airflow (m³/h)
11034709	6500

Electrical datas

References	Protection rating	Maximum current (A)	Maximum power (W)	Power supply	Max. power
11034709	IP24	8,2	1255	Single-phase	1255

Installation visual 1



EasyVEC

Principe de fonctionnement



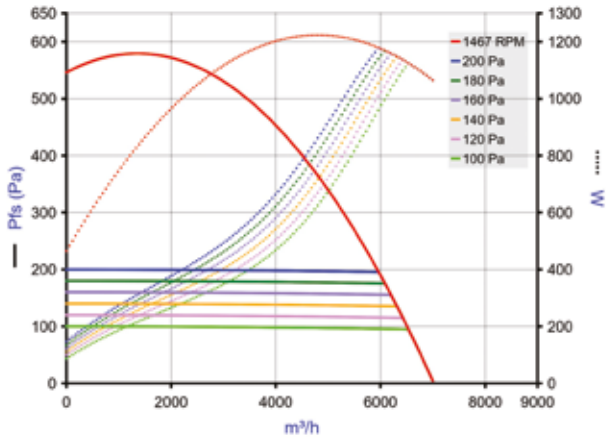
EasyVEC® C4Standard

Ventilation box fan

11034709

EasyVEC® C4 Standard 6500 IP

Curve



- > Aeraulic curves drawn up as per standard NF EN ISO 5801.
- > P (Pa) = static pressure.
- > P (W) = power consumption.

EasyVEC-C4Standard-6500