

Ventilation box fan

11034777

EasyVEC® C4 Standard 6500 IP Pressure drop switch 3-Phase

The best-designed range of exhaust box fans on the market, making ventilation efficient, serene, and easy.



EasyVEC-C4Standard-4000



EasyVEC-C4Standard-4000

PRODUCT BENEFITS

- wide range from 300 to 12,000 m³/h,
- compatible to replace unit only,
- can be dismantled (4,000 m³/h and higher),
- 100% recyclable.

REGLEMENTATIONS AND COMPLIANCES

Technical Opinion no.: 14.5/17-2267_V3 ; 14.5/16-2185_V2

Principles of operation

EasyVEC® C4 ventilates multi-occupancy residential buildings to ensure correct air quality in dwellings and preserve the building structure.

Product description

The EasyVEC® C4 Standard fan is suited to the refurbishment market with its wide range of airflow possibilities and its single-phase or 3-phase power supply.

Fields of application

Multi-occupancy residential housing, Refurbishment

Installation

- installation:
 - on anti-vibration slab as per DTU 68.3 recommendations,,
 - indoor or outdoor location,
 - sufficient space must be left in front of the box fan to avoid obstructing the access panel and allow maintenance of internal components.
 - for roof installation, preferably positioned out of the wind to limit pressure losses at the outlet.
- for better acoustic and aeraulic performance, we recommend that you:
 - install sound attenuators at the unit connections,
 - use the ALDES VIRTUO-FIX range of sealed accessories,
 - use MS PRO sealed flexible sleeves to muffle ductwork vibrations.

Reference arguments

- Application:
 - C4 Standard centralised unidirectional exhaust box fan for CMEV system,
 - refurbishment,
 - attic / equipment room / flat roofs,
 - indoor / outdoor.
- Description:
 - EasyVEC® C4 Standard box fan (C4 certification: 400 °C - 1/2 hour),
 - easy to select: Selector poWair and Conceptor Ventilation design software,
 - easy to service: link to documentation via QR code, single access panel,
 - speed controller as standard to match power needs precisely,
 - fixed 80 Pa pressure drop switch: mandatory safety device for gas CMEV.

Ventilation box fan

11034777

EasyVEC® C4 Standard 6500 IP Pressure drop switch 3-Phase

Main characteristics

- AC motor (50/60 Hz),
- backward curve impeller,
- speed controller as standard to match power needs precisely,
- galvanised panels Z275,
- proximity switch as standard,
- compatible with all ducting types even with junctions,
- centralised system: savings on maintenance.
- multiple options and accessories:
 - configuration 1: inlet and outlet in line,
 - 3-phase power supply 400 V 50 Hz,
 - fixed 80 Pa pressure switch for gas CMEV,
 - 25 mm rock wool double-skin insulation,
 - ducted outlet.
- made in France.

Supplementary characteristics

- certification C4 Ø160,
- compatible with technical approval for "Bahia" humidity-controlled ventilation No. 14.5/17-2267.

Accessories

Désignations	References
EasyVEC® grille T7 Ø 630 mm	11034449
Insulation kit EasyVEC® T7 Ø 630 mm	11034488
Pressure switch kit EasyVEC® 80 Pa	11056439
Modbus Card EasyVEC®	11034400
EasyVEC® Plug T7 Ø 630 mm	11034439
Flexible outlet sleeve kit 630mm	11025071
MS Pro M0 Ø630 mm	11094700

Associated services

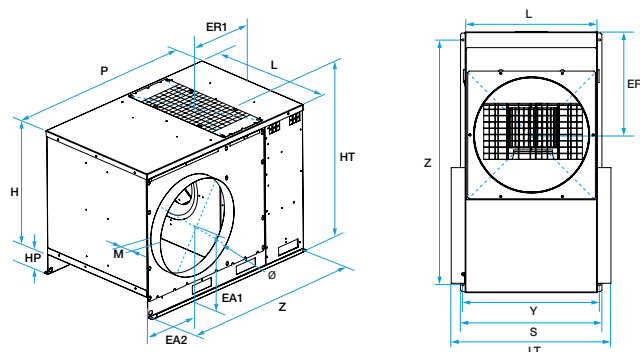
Commissioning

General data

References	Type of motor
11034777	AC

Dimensional data

References	EA1 (mm)	EA2 (mm)	ER1 (mm)	H (mm)	HP (mm)	HT (mm)	L (mm)	LT (mm)	M (mm)	P (mm)
11034777	485	353	496	760	115	923,5	785	882	48,5	1195



EasyVEC-C4Standard-4000

Airflow data

References	Airflow (m³/h)
11034777	6500

Ventilation box fan

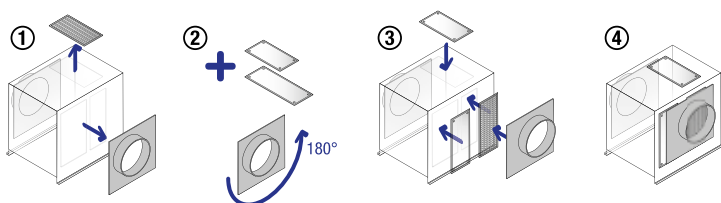
11034777

EasyVEC® C4 Standard 6500 IP Pressure drop switch 3-Phase

Electrical datas

References	Protection rating	Maximum current (A)	Maximum power (W)	Power supply	Max. power
11034777	IP24	8,2	1255	Single-phase	1255

Installation visual 1



EasyVEC

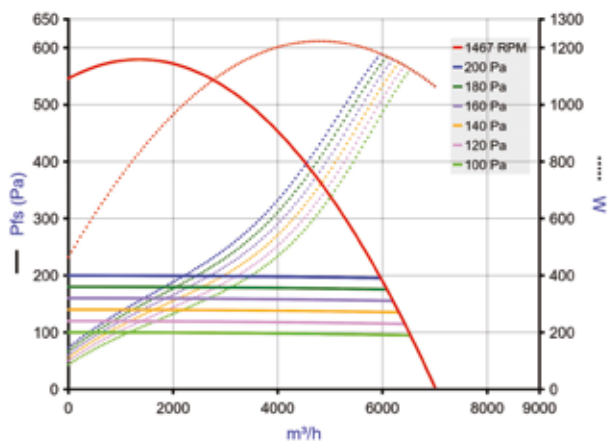
Principe de fonctionnement



EasyVEC® C4Standard

Curve

S (mm)
833



EasyVEC-C4Standard-6500

- > Aeraulic curves drawn up as per standard NF EN ISO 5801.
- > P (Pa) = static pressure.
- > P (W) = power consumption.