

Ventilation box fan

11034791

EasyVEC® C4 Standard 8000 IP Pressure drop switch

The best-designed range of exhaust box fans on the market, making ventilation efficient, serene, and easy.



EasyVEC-C4Standard-4000



EasyVEC-C4Standard-4000

PRODUCT BENEFITS

- wide range from 300 to 12,000 m³/h,
- compatible to replace unit only,
- can be dismantled (4,000 m³/h and higher),
- 100% recyclable.

REGLEMENTATIONS AND COMPLIANCES

Technical Opinion no.: 14.5/17-2267_V3 ; 14.5/16-2185_V2

Principles of operation

EasyVEC® C4 ventilates multi-occupancy residential buildings to ensure correct air quality in dwellings and preserve the building structure.

Product description

The EasyVEC® C4 Standard fan is suited to the refurbishment market with its wide range of airflow possibilities and its single-phase or 3-phase power supply.

Fields of application

Multi-occupancy residential housing, Refurbishment

Installation

- installation:
 - on anti-vibration slab as per DTU 68.3 recommendations,,
 - indoor or outdoor location,
 - sufficient space must be left in front of the box fan to avoid obstructing the access panel and allow maintenance of internal components.
 - for roof installation, preferably positioned out of the wind to limit pressure losses at the outlet.
- for better acoustic and aeraulic performance, we recommend that you:
 - install sound attenuators at the unit connections,
 - use the ALDES VIRTUO-FIX range of sealed accessories,
 - use MS PRO sealed flexible sleeves to muffle ductwork vibrations.

Reference arguments

- Application:
 - C4 Standard centralised unidirectional exhaust box fan for CMEV system,
 - refurbishment,
 - attic / equipment room / flat roofs,
 - indoor / outdoor.
- Description:
 - EasyVEC® C4 Standard box fan (C4 certification: 400 °C - 1/2 hour),
 - easy to select: Selector poWair and Conceptor Ventilation design software,
 - easy to service: link to documentation via QR code, single access panel,
 - speed controller as standard to match power needs precisely,
 - fixed 80 Pa pressure drop switch: mandatory safety device for gas CMEV.

Ventilation box fan

11034791

EasyVEC® C4 Standard 8000 IP Pressure drop switch

Main characteristics

- AC motor (50/60 Hz),
- backward curve impeller,
- speed controller as standard to match power needs precisely,
- galvanised panels Z275,
- proximity switch as standard,
- compatible with all ducting types even with junctions,
- centralised system: savings on maintenance.
- multiple options and accessories:
 - configuration 1: inlet and outlet in line,
 - 3-phase power supply 400 V 50 Hz,
 - fixed 80 Pa pressure switch for gas CMEV,
 - 25 mm rock wool double-skin insulation,
 - ducted outlet.
- made in France.

Supplementary characteristics

- certification C4 Ø160,
- compatible with technical approval for "Bahia" humidity-controlled ventilation No. 14.5/17-2267.

Accessories

| Désignations | References |
|-------------------------------------|------------|
| EasyVEC® grille T7 Ø 630 mm | 11034449 |
| Insulation kit EasyVEC® T7 Ø 630 mm | 11034488 |
| Pressure switch kit EasyVEC® 80 Pa | 11056439 |
| Modbus Card EasyVEC® | 11034400 |
| EasyVEC® Plug T7 Ø 630 mm | 11034439 |
| Flexible outlet sleeve kit 630mm | 11025071 |
| MS Pro M0 Ø630 mm | 11094700 |

Associated services

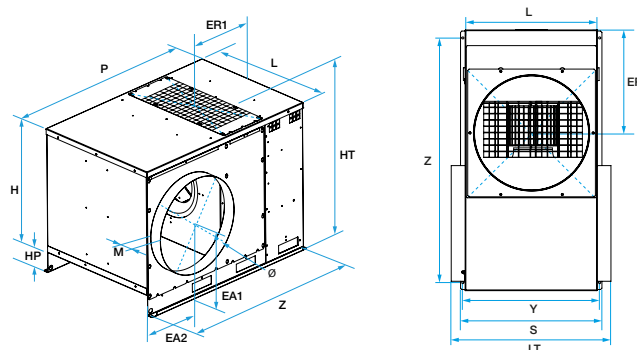
Commissioning

General data

| References | Type of motor |
|------------|---------------|
| 11034791 | AC |

Dimensional data

| References | EA1 (mm) | EA2 (mm) | ER1 (mm) | H (mm) | HP (mm) | HT (mm) | L (mm) | LT (mm) | M (mm) | P (mm) |
|------------|----------|----------|----------|--------|---------|---------|--------|---------|--------|--------|
| 11034791 | 485 | 353 | 496 | 760 | 115 | 923.5 | 785 | 882 | 48.5 | 1195 |



EasyVEC-C4Standard-4000

Airflow data

| References | Airflow (m³/h) |
|------------|----------------|
| 11034791 | 8000 |

Ventilation box fan

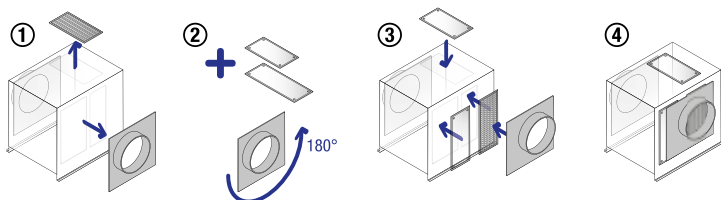
11034791

EasyVEC® C4 Standard 8000 IP Pressure drop switch

Electrical datas

| References | Protection rating | Maximum current (A) | Maximum power (W) | Power supply | Max. power |
|------------|-------------------|---------------------|-------------------|--------------|------------|
| 11034791 | IP24 | 11 | 1750 | Single-phase | 1750 |

Installation visual 1



EasyVEC

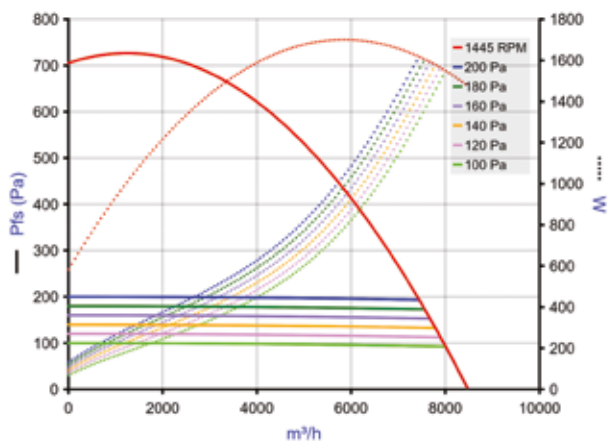
Principe de fonctionnement



EasyVEC® C4Standard

Curve

S (mm)
833



EasyVEC-C4Standard-8000

- > Aeraulic curves drawn up as per standard NF EN ISO 5801.
- > P (Pa) = static pressure.
- > P (W) = power consumption.