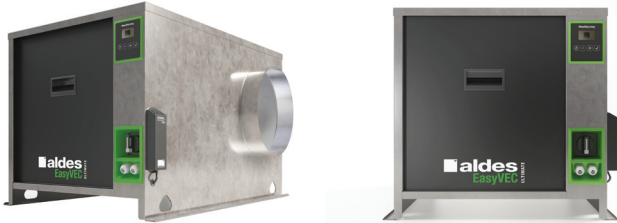


CO2 sensor

11034989

EasyVEC® C4 ULTIMATE 1500

The best-designed range of exhaust box fans on the market, making ventilation efficient, serene, and easy.



PRODUCT BENEFITS

- wide range from 400 to 4,000 m³/h,
- up to 15% saving on building heating costs compared to Standard unit,
- 100% recyclable.

REGULATIONS AND COMPLIANCES

Technical Opinion no.: 14.5/17-2267_V3 ; 14.5/16-2185_V2

Principles of operation

EasyVEC® C4 ventilates multi-occupancy residential buildings to ensure correct air quality in dwellings and preserve the building structure.

Product description

EasyVEC® C4 ULTIMATE ventilates multi-occupancy residential buildings to ensure correct air quality in dwellings and preserve the building structure. Combined with the T.Flow® Hygro+ / Nano domestic hot water production solution, the heat calories naturally present in air extracted from the dwelling are exchanged and used as a heat source to heat the water.

The Aldes MICRO-WATT + patented controller automatically creates a custom regulation profile (Auto-Adaptative Technology) to adjust the pressure delivered by the box fan to the actual needs of the system. This means the ventilation adjusts precisely to needs and generates significant savings on heating costs.

AldesConnect™ Pro can remotely monitor your fan units for greater responsiveness in handling breakdowns and malfunctions.

Fields of application

Multi-occupancy residential housing, New, Refurbishment

Installation

- installation:
 - on anti-vibration slab as per DTU 68.3 recommendations,,
 - indoor or outdoor location,
 - sufficient space must be left in front of the box fan to avoid obstructing the access panel and allow maintenance of internal components.
 - for roof installation, preferably positioned out of the wind to limit pressure losses at the outlet.
- For better acoustic and aeraulic performances, we recommend that you:
 - install sound attenuators at the unit connections,
 - use the ALDES VIRTUO-FIX range of sealed accessories,
 - use MS PRO sealed flexible sleeves to muffle ductwork vibrations.

Reference arguments

- Application:
 - C4 very low consumption centralised unidirectional extractor fan for CMEV system,
 - new builds and refurbishment,
 - Aldes Auto-Adaptative Technology™ Micro-watt+ controller for pressure control,
 - attic / equipment room / flat roofs,
 - indoor / outdoor.
- Description:
 - EasyVEC® C4 very low consumption Micro-Watt+ extractor fan unit (C4 certification: 400 °C - 1/2 hour),
 - easy to select: Selector poWair® and Conceptor Ventilation design software,
 - easy to configure via intuitive interface,
 - easy to service: link to documentation via QR code, single access panel, compatible with AldesConnect™ Pro supervision service (optional),
 - very low power consumption.

C02 sensor

11034989

EasyVEC® C4 ULTIMATE 1500

Main characteristics

- Micro-watt+ control and patented Aldes Auto-Adaptive Technology™ software to adapt the pressure delivered by the unit to the actual needs of the system,
- 4 other additional control modes:
 - Micro-watt at constant pressure,
 - 0-10V input,
- constant airflow,
- constant speed.
- EC motor with very low power consumption (50/60 Hz),
- backward curve impeller,
- unit made of galvanised steel Z275,
- plenum fitted with acoustic insulation,
- ergonomic and intuitive interface,
- proximity switch as standard,
- humidity-controlled or pre-configured T.Flow control mode
- compatible with all types of ductwork, even with junctions,
- central system: savings on maintenance,
- alarm relay available by wiring to the PCB,
- Modbus RS485 as standard.
- options:
 - AldesConnect® Pro fitted in factory,
 - Anti-corrosion epoxy paint, cat. C5-M 5 years,
 - fixed pressure switch 80 Pa for GAS CMEV, factory-mounted,
 - ducted discharge (accessory).
- made in France.

Supplementary characteristics

- certification C4 Ø160,
- compatible with «Bahia» humidity-controlled ventilation technical approval no. 14.5/17-2267,
- ESC-eligible: BAR-TH-127.

Accessories

Description	Variants
Circuit breaker 2.5A - 4A	11057053
EASYVEC CONNECTOR T4 D355	11034443
Modbus remote control for EASYVEC C4	11034940

Associated services

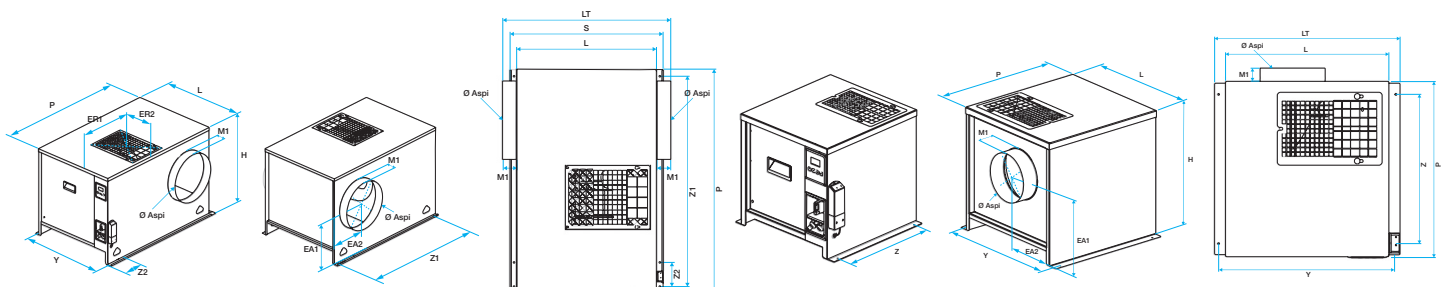
Commissioning

General data

Variants	Type of motor
11034989	EC

Dimensional data

Variants	EA1 (mm)	EA2 (mm)	ER1 (mm)	ER2 (mm)	H (mm)	HP (mm)	HT (mm)	L (mm)	LT (mm)	M1 (mm)
11034989	317	209	368.5	202,5	559	66.1	559	565	692	66.1



CO2 sensor

11034989

EasyVEC® C4 ULTIMATE 1500

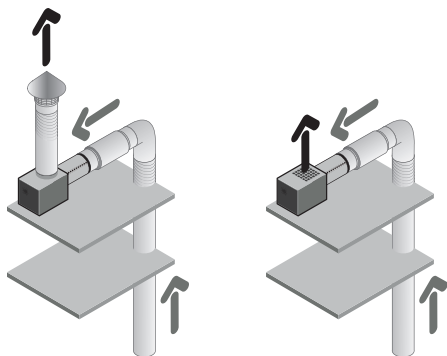
Airflow data

Variants	Airflow (m³/h)
11034989	1500

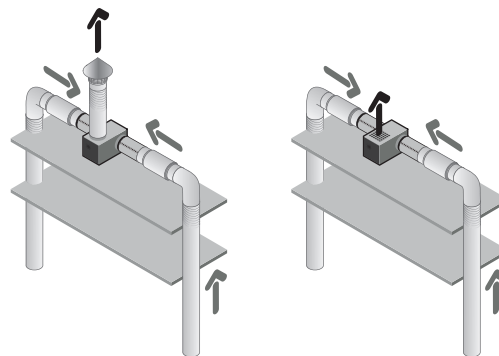
Electrical datas

Variants	Maximum power (W)	Max. power	Max. power	Protection rating	Maximum current (A)	Power supply
11034989	171	0,171	171	IP24	2.4	Single-phase

Installation

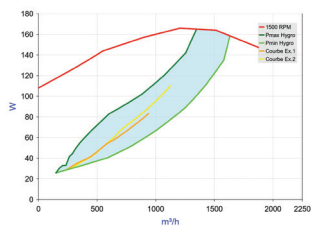
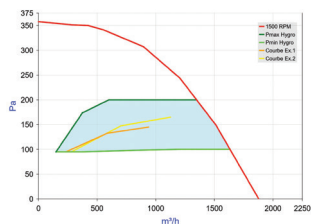


400-700 m³/h



1000-4000 m³/h

Curve



> Aeraulic curves drawn up as per standard NF EN ISO 5801.

> P (Pa) = static pressure.

> P (W) = power consumption.

M2 (mm)	P (mm)	PT (mm)	S (mm)	Y (mm)	Z1 (mm)	Z2 (mm)	Ø (mm)	Weight (kg)
66.1	891	317	623	593	826	130	315	62