

**Ventilation box fan****11034613****EasyVEC® Compact 600 MICRO-WATT IP Insulated**

The best-designed range of exhaust box fans on the market, making ventilation efficient, serene, and easy.



EasyVEC-Compact-MWPlus



EasyVEC-Compact-MWPlus

**PRODUCT BENEFITS**

- wide range from 300 to 3,000 m<sup>3</sup>/h,
- compact size,
- 100% recyclable.

**REGLEMENTATIONS AND COMPLIANCES**

Technical Opinion no.: 14.5/16-2185\_V2

**Principles of operation**

EasyVEC® Compact Micro-watt delivers exhaust ventilation in non-residential buildings via air exhaust or supply to ensure sufficient air quality and to preserve the building structure.

**Product description**

With its compact dimensions and in-line configuration, this unit is ideal for applications in a suspended ceiling.

The Micro-watt constant pressure controller enables significant savings on heating costs compared to a non-regulated (Standard) fan unit.

AldesConnect™ Pro can remotely monitor the fan unit for greater responsiveness in handling breakdowns and malfunctions.

**Fields of application**

New, Refurbishment, Non-residential buildings

**Installation**

- installation:
  - indoor or outdoor,
  - installation in suspended ceiling, pack of 4 adjustable straps 100 mm - 400 mm available to attach box to ceiling or to a beam,
  - outdoors: for roof installation, preferably positioned out of the wind to limit pressure losses at the outlet.
- For better acoustic and aerolic performances, we recommend that you:
  - install sound attenuators at the unit connections,
  - use the ALDES VIRTUO-FIX range of sealed accessories,
  - use MS PRO sealed flexible sleeves to muffle ductwork vibrations.

**Reference arguments**

- Application:
  - centralised, low-consumption unidirectional air supply or exhaust box fan for commercial CMEV system,
  - refurbishment,
  - suspended ceilings / Attic / equipment rooms / flat roofs,
  - air supply /exhaust,
  - indoor / outdoor / horizontal / vertical.
- Description:
  - EasyVEC® Compact Micro-Watt low-consumption exhaust box fan,
  - Micro-watt controller for pressure control,
  - easy to select: Selector poWair® and Conceptor Ventilation design software,
  - easy to configure via intuitive interface,
  - easy to service: link to documentation via QR code, single access panel, compatible with AldesConnect™ Pro supervision service (optional),
  - low power consumption.

## Ventilation box fan

11034613

## EasyVEC® Compact 600 MICRO-WATT IP Insulated

## Main characteristics

- 2 control modes: constant pressure to minimise consumption or via external 0-10V probe,
- EC low-consumption motor (50/60Hz),
- backward curve impeller,
- unit made of galvanised steel Z275,
- simple and intuitive EasyVEC® remote control,
- proximity switch as standard,
- compatible with all types of ductwork, even with junctions,
- central system: savings on maintenance,
- alarm relay available by wiring to the PCB,
- multiple options and accessories:
  - filter box,
  - ISO filter coarse 60%, ePM10 50%, ePM1 50-75%, ePM1 85%,
  - pressure switch,
  - ducted discharge,
  - 25 mm dual-wall acoustic insulation,
  - compatible with Modbus RS485,
  - AldesConnect® Pro.
- made in France.

## Supplementary characteristics

- compatible with Technical Approval for Modulated Ventilation - Presence-Agito-CO2-Hygro no. 14.5/16-2185\_V1,
- ErP 2018,
- ECS-eligible: BAT-TH-112, BAT-TH-125, BAT-EQ-123.

## Accessories

Désignations	References
Circuit breaker 1.0A to 1.6A	11056184
BCA Mono single phase D200 2 kW + relay	11090791
BCA Ø 200 - 1 kW - 1C	11090755
BCA Ø 200 - 2 kW - 1C	11090756
BCA Ø 200 - 3 kW - 1C	11090757
BCA R Mono regulated 1-phase coil Ø 200 - 1.5 kW	11090804
BCA R Tri regulated 3-phase coil Ø 200 - 6 kW	11090821
BCA R Mono regulated 1-phase coil Ø 200 - 3 kW	11090805
Duct sensor +25/+90°C	11090900
Airflow control kit (20-300 Pa)	11090901
Duct sensor -10/+35°C	11090902
Female rain hood + screen Ø 200 mm	11056102

## Consumables

Désignations	References
F7 filter EasyVEC® Compact 600	11034418
G4 filter EasyVEC® Compact 600	11034402

## Associated services

Commissioning

## General data

References	Type of motor
11034613	EC

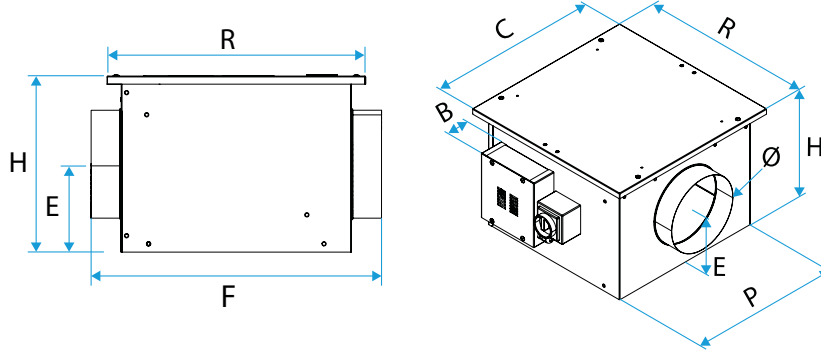
Ventilation box fan

## 11034613

### EasyVEC® Compact 600 MICRO-WATT IP Insulated

#### Dimensional data

References	B (mm)	C (mm)	E (mm)	F (mm)	H (mm)	P (mm)	R (mm)	Ø (mm)	Weight (kg)
11034613	67	482	165	538	329	477	482	200	19



EasyVEC-Compact

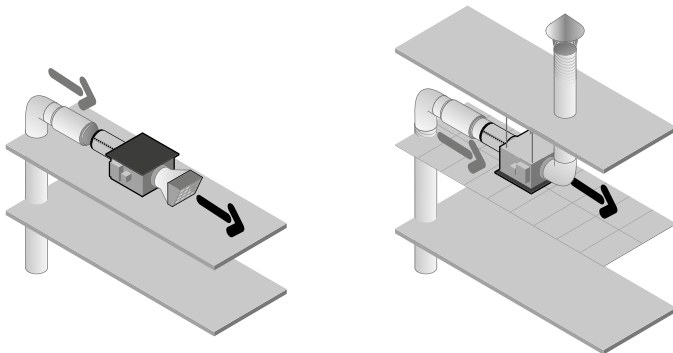
#### Airflow data

References	Airflow (m³/h)
11034613	600

#### Electrical datas

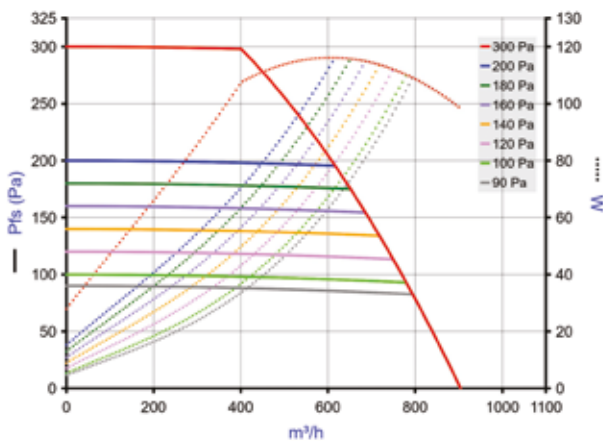
References	Protection rating	Maximum current (A)	Maximum power (W)	Power supply	Max. power
11034613	IP24	0,75	95	Single-phase	95

#### Installation visual 1



EasyVEC-Compact

#### Curve



- > Aeraulic curves drawn up as per standard NF EN ISO 5801.
- > P (Pa) = static pressure.
- > P (W) = power consumption.

EasyVEC-Compact-600