

## Ventilation box fan

11034632

## EasyVEC® Compact MICRO-WATT + 1000 IP with choice of options

The best-designed range of exhaust box fans on the market, making ventilation efficient, serene, and easy.



EasyVEC-Compact-MWPlus

EasyVEC-Compact-MWPlus

## PRODUCT BENEFITS

- wide range from 300 to 3,000 m<sup>3</sup>/h,
- compact size,
- 100% recyclable.

## REGLEMENTATIONS AND COMPLIANCES

Technical Opinion no.: 14.5/16-2185\_V2

## Principles of operation

EasyVEC® Compact Micro-watt+ delivers exhaust ventilation in non-residential buildings via air exhaust or supply to ensure sufficient air quality and to preserve the building structure.

## Product description

With its compact dimensions and in-line configuration, this unit is ideal for applications in a suspended ceiling.

The Aldes Micro-watt + patented controller automatically creates a custom regulation profile (Auto-Adaptive Technology™) to adjust the pressure delivered by the fan unit to the actual needs of the system. This means the ventilation is precisely adjusted to match needs and generates significant savings on heating costs. AldesConnect™ Pro can remotely monitor the fan unit for greater responsiveness in handling breakdowns and malfunctions.

## Fields of application

New, Refurbishment, Non-residential buildings

## Installation

- installation:
  - indoor or outdoor,
  - installation in suspended ceiling, pack of 4 adjustable straps 100 mm - 400 mm available to attach box to ceiling or to a beam,
  - outdoors: for roof installation, preferably positioned out of the wind to limit pressure losses at the outlet.
- For better acoustic and aeraulic performances, we recommend that you:
  - install sound attenuators at the unit connections,
  - use the ALDES VIRTUO-FIX range of sealed accessories,
  - use MS PRO sealed flexible sleeves to muffle ductwork vibrations.

## Reference arguments

- Application:
  - centralised, low-consumption unidirectional air supply or exhaust box fan for commercial CMEV system,
  - refurbishment,
  - suspended ceilings / Attic / equipment rooms / flat roofs,
  - air supply /exhaust,
  - indoor / outdoor / horizontal / vertical.
- Description:
  - EasyVEC® Compact Micro-Watt+ very low-consumption exhaust box fan,
  - Aldes Auto-Adaptative Technology™ Micro-watt+ controller for pressure control,
  - easy to select: Selector poWair® and Conceptor Ventilation design software,
  - easy to configure via intuitive interface,
  - easy to service: link to documentation via QR code, single access panel, compatible with AldesConnect™ Pro supervision service (optional),
  - very low power consumption.

## Ventilation box fan

11034632

EasyVEC® Compact MICRO-WATT + 1000 IP with choice of options

## Main characteristics

- Micro-watt+ control and patented Aldes Auto-Adaptive Technology™ software to adapt the pressure delivered by the unit to the actual needs of the system,
- 3 other additional control modes:
  - Micro-watt at constant pressure,
  - via external 0-10V probe (e.g. CO2 sensor),
  - constant airflow.
- EC motor with very low power consumption (50/60 Hz),
- backward curve impeller,
- unit made of galvanised steel Z275,
- simple and intuitive EasyVEC® remote control,
- proximity switch as standard,
- humidity-controlled or pre-configured T.Flow control mode
- compatible with all types of ductwork, even with junctions,
- central system: savings on maintenance,
- alarm relay available by wiring to the PCB,
- multiple options and accessories:
  - filter box,
  - ISO filter coarse 60%, ePM10 50%, ePM1 50-75%, ePM1 85%,
  - pressure switch,
  - ducted discharge,
  - 25 mm dual-wall acoustic insulation,
  - compatible with Modbus RS485,
  - AldesConnect® Pro.
- made in France.

## Supplementary characteristics

- compatible with Technical Approval for Modulated Ventilation - Presence-Agito-CO2-Hygro no. 14.5/16-2185\_V1,
- ErP 2018,
- ECS-eligible: BAT-TH-112, BAT-TH-125, BAT-EQ-123.

## Accessories

Désignations	References
Circuit breaker 1.0A to 1.6A	11056184
Female rain hood + screen Ø250 mm	11056373

## Consumables

Désignations	References
F7 filter EasyVEC® Compact 1000	11034419
G4 filter EasyVEC® Compact 1000	11034403

## Options

base
CONNECT
EXPORT
ISOLA
MODBUS
REGLABLE

## Associated services

Commissioning

## General data

References	Type of motor
11034632	EC

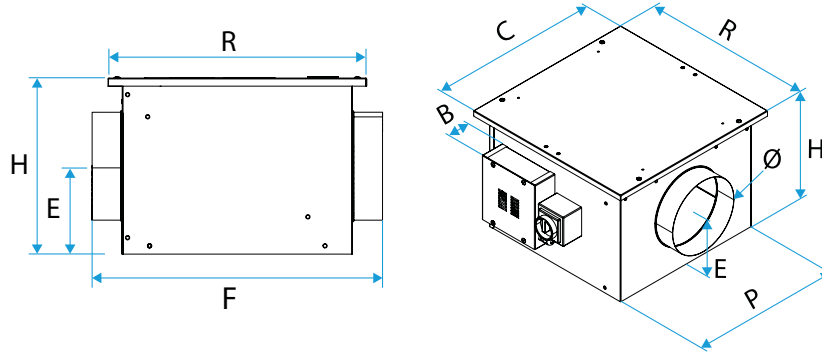
Ventilation box fan

## 11034632

EasyVEC® Compact MICRO-WATT + 1000 IP with choice of options

### Dimensional data

References	B (mm)	C (mm)	E (mm)	F (mm)	H (mm)	P (mm)	R (mm)	Ø (mm)	Weight (kg)
11034632	93	532	177	588	352	477	532	250	14



EasyVEC-Compact

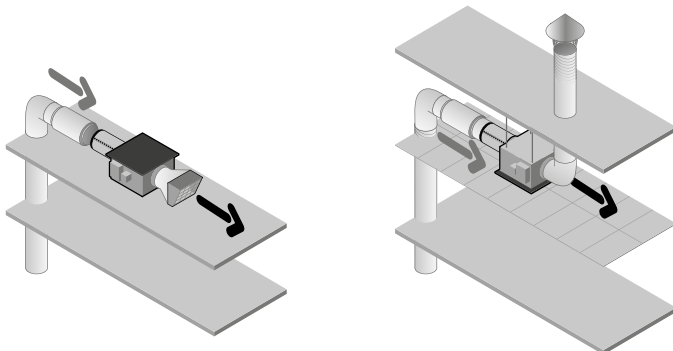
### Airflow data

References	Airflow (m³/h)
11034632	1000

### Electrical datas

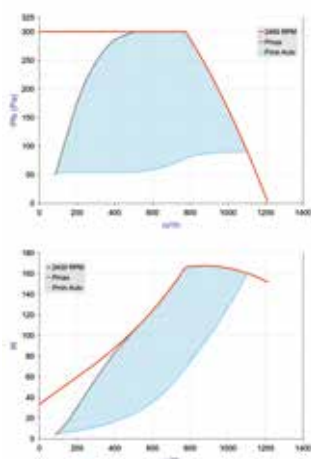
References	Protection rating	Maximum current (A)	Maximum power (W)	Power supply	Max. power
11034632	IP24	1,5	190	Single-phase	190

### Installation visual 1



EasyVEC-Compact

### Curve



- > Aeraulic curves drawn up as per standard NF EN ISO 5801.
- > P (Pa) = static pressure.
- > P (W) = power consumption.

EasyVEC-Compact-1000