

## Ventilation box fan

11034630

## EasyVEC® Compact MICRO-WATT + 300 IP with choice of options

The best-designed range of exhaust box fans on the market, making ventilation efficient, serene, and easy.



EasyVEC-Compact-MWPlus

EasyVEC-Compact-MWPlus

## PRODUCT BENEFITS

- wide range from 300 to 3,000 m<sup>3</sup>/h,
- compact size,
- 100% recyclable.

## REGLEMENTATIONS AND COMPLIANCES

Technical Opinion no.: 14.5/16-2185\_V2

## Principles of operation

EasyVEC® Compact Micro-watt+ delivers exhaust ventilation in non-residential buildings via air exhaust or supply to ensure sufficient air quality and to preserve the building structure.

## Product description

With its compact dimensions and in-line configuration, this unit is ideal for applications in a suspended ceiling.

The Aldes Micro-watt + patented controller automatically creates a custom regulation profile (Auto-Adaptive Technology™) to adjust the pressure delivered by the fan unit to the actual needs of the system. This means the ventilation is precisely adjusted to match needs and generates significant savings on heating costs. AldesConnect™ Pro can remotely monitor the fan unit for greater responsiveness in handling breakdowns and malfunctions.

## Fields of application

New, Refurbishment, Non-residential buildings

## Installation

- installation:
  - indoor or outdoor,
  - installation in suspended ceiling, pack of 4 adjustable straps 100 mm - 400 mm available to attach box to ceiling or to a beam,
  - outdoors: for roof installation, preferably positioned out of the wind to limit pressure losses at the outlet.
- For better acoustic and aeraulic performances, we recommend that you:
  - install sound attenuators at the unit connections,
  - use the ALDES VIRTUO-FIX range of sealed accessories,
  - use MS PRO sealed flexible sleeves to muffle ductwork vibrations.

## Reference arguments

- Application:
  - centralised, low-consumption unidirectional air supply or exhaust box fan for commercial CMEV system,
  - refurbishment,
  - suspended ceilings / Attic / equipment rooms / flat roofs,
  - air supply /exhaust,
  - indoor / outdoor / horizontal / vertical.
- Description:
  - EasyVEC® Compact Micro-Watt+ very low-consumption exhaust box fan,
  - Aldes Auto-Adaptative Technology™ Micro-watt+ controller for pressure control,
  - easy to select: Selector poWair® and Conceptor Ventilation design software,
  - easy to configure via intuitive interface,
  - easy to service: link to documentation via QR code, single access panel, compatible with AldesConnect™ Pro supervision service (optional),
  - very low power consumption.

**Ventilation box fan****11034630****EasyVEC® Compact MICRO-WATT + 300 IP with choice of options****Main characteristics**

- Micro-watt+ control and patented Aldes Auto-Adaptive Technology™ software to adapt the pressure delivered by the unit to the actual needs of the system,
- 3 other additional control modes:
  - Micro-watt at constant pressure,
  - via external 0-10V probe (e.g. CO2 sensor),
  - constant airflow.
- EC motor with very low power consumption (50/60 Hz),
- backward curve impeller,
- unit made of galvanised steel Z275,
- simple and intuitive EasyVEC® remote control,
- proximity switch as standard,
- humidity-controlled or pre-configured T.Flow control mode
- compatible with all types of ductwork, even with junctions,
- central system: savings on maintenance,
- alarm relay available by wiring to the PCB,
- multiple options and accessories:
  - filter box,
  - ISO filter coarse 60%, ePM10 50%, ePM1 50-75%, ePM1 85%,
  - pressure switch,
  - ducted discharge,
  - 25 mm dual-wall acoustic insulation,
  - compatible with Modbus RS485,
  - AldesConnect® Pro.
- made in France.

## Ventilation box fan

11034630

EasyVEC® Compact MICRO-WATT + 300 IP with choice of options

## Supplementary characteristics

- compatible with Technical Approval for Modulated Ventilation - Presence-Agito-CO2-Hygro no. 14.5/16-2185\_V1,
- ErP 2018,
- ECS-eligible: BAT-TH-112, BAT-TH-125, BAT-EQ-123.

## Accessories

Désignations	References
Circuit breaker 1.0A to 1.6A	11056184
BCA Mono single phase D200 2 kW + relay	11090791
BCA Mono single phase D250 4.5 kW + relay	11090793
BCA Mono single phase D315 4 kW + relay	11090794
BCA Mono single phase D315 6 kW + relay	11090795
BCA Ø 160 - 0.5 kW - 1C	11090752
BCA Ø 160 - 1 kW - 2C	11090753
BCA Ø 160 - 1.5 kW - 1C	11090754
BCA Ø 200 - 1 kW - 1C	11090755
BCA Ø 250 - 2 kW - 1C	11090759
BCA Ø 200 - 2 kW - 1C	11090756
BCA Ø 200 - 3 kW - 1C	11090757
BCA Ø 250 - 1 kW - 1C	11090758
BCA Ø 250 - 3 kW - 1C	11090760
BCA Ø 250 - 4.5 kW - 2C	11090761
BCA Ø 315 - 1 kW - 1C	11090762
BCA Ø 315 - 2 kW - 1C	11090763
BCA Ø 315 - 4 kW - 2C	11090764
BCA Ø 315 - 6 kW - 2C	11090765
BCA R Mono regulated 1-phase coil Ø 200 - 1.5 kW	11090804
BCA R Mono regulated 1-phase coil Ø 160 - 1.5 kW	11090803
BCA R Mono regulated 1-phase coil Ø 160 - 0.75 kW	11090802
BCA R Mono regulated 1-phase coil Ø 315 - 3 kW	11090808
BCA R Mono regulated 1-phase coil Ø 250 - 4.5 kW	11090807
BCA R Mono regulated 1-phase coil Ø 250 - 2.5 kW	11090806
BCA R Tri regulated 3-phase coil Ø 160 - 4.5 kW	11090820
BCA R Tri regulated 3-phase coil Ø 200 - 6 kW	11090821
BCA R Mono regulated 1-phase coil Ø 200 - 3 kW	11090805
BCA R Tri regulated 3-phase coil Ø 315 - 12 kW	11090825
BCA R Tri regulated 3-phase coil Ø 315 - 6 kW	11090824
BCA R Tri regulated 3-phase coil Ø 250 - 9 kW	11090823
BCA R Mono regulated 1-phase coil Ø 315 - 6 kW	11090809
BCA R Tri regulated 3-phase coil Ø 250 - 4.5 kW	11090822
Duct sensor +25/+90°C	11090900
Airflow control kit (20-300 Pa)	11090901
Duct sensor -10/+35°C	11090902
Female rain hood + screen Ø 160 mm	11056101

## Consumables

Désignations	References
F7 filter EasyVEC® Compact 300	11034417
G4 filter EasyVEC® Compact 300	11034401

## Options

base
CONNECT
EXPORT
ISOLA
MODBUS
REGLABLE

Ventilation box fan

## 11034630

EasyVEC® Compact MICRO-WATT + 300 IP with choice of options

Associated services

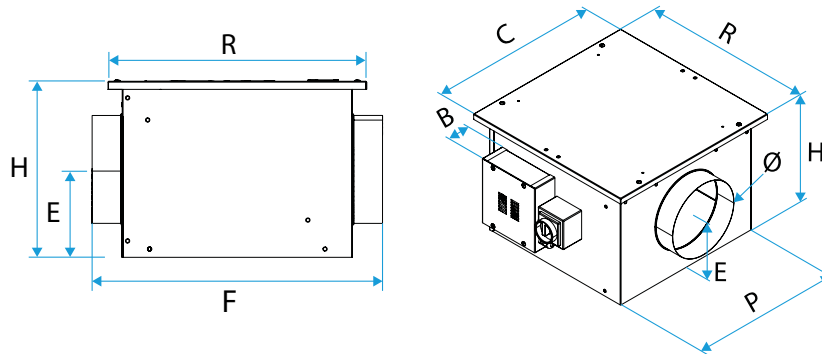
Commissioning

General data

References	Type of motor
11034630	EC

Dimensional data

References	B (mm)	C (mm)	E (mm)	F (mm)	H (mm)	P (mm)	R (mm)	Ø (mm)	Weight (kg)
11034630	93	432	139	488	277	377	432	160	9



EasyVEC-Compact

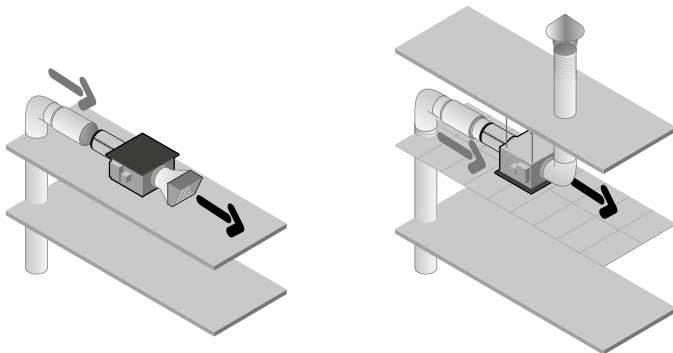
Airflow data

References	Airflow (m³/h)
11034630	300

Electrical datas

References	Protection rating	Maximum current (A)	Maximum power (W)	Power supply	Max. power
11034630	IP24	0,6	76	Single-phase	76

Installation visual 1



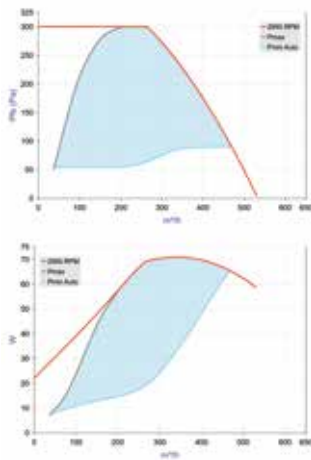
EasyVEC-Compact

Ventilation box fan

## 11034630

### EasyVEC® Compact MICRO-WATT + 300 IP with choice of options

#### Curve



- > Aeraulic curves drawn up as per standard NF EN ISO 5801.
- > P (Pa) = static pressure.
- > P (W) = power consumption.

EasyVEC-Compact-300