

**Ventilation box fan****11034551****EasyVEC® Compact Standard 2000**

The best-designed range of exhaust box fans on the market, making ventilation efficient, serene, and easy.



EasyVEC-Compact



EasyVEC-Compact

**PRODUCT BENEFITS**

- wide range from 300 to 3,000 m<sup>3</sup>/h
- compact size,
- 100% recyclable.

**REGLEMENTATIONS AND COMPLIANCES**

Technical Opinion no.: 14.5/16-2185\_V2

**Principles of operation**

EasyVEC® Compact Standard delivers exhaust ventilation in non-residential buildings, via air supply or exhaust.

With its compact dimensions and in-line configuration, this unit is ideal for applications in a suspended ceiling, where it will ensure adequate air quality and preserve the building structure.

**Product description**

With its compact dimensions and in-line configuration, this unit is ideal for applications in a suspended ceiling.

**Fields of application**

New, Refurbishment, Non-residential buildings

**Installation**

- installation:
  - indoor or outdoor,
  - installation in suspended ceiling, pack of 4 adjustable straps 100 mm - 400 mm available to attach box to ceiling or to a beam,
  - outdoors: for roof installation, preferably positioned out of the wind to limit pressure losses at the outlet.
- For better acoustic and aeraulic performances, we recommend that you:
  - install sound attenuators at the unit connections,
  - use the ALDES VIRTUO-FIX range of sealed accessories,
  - use MS PRO sealed flexible sleeves to muffle ductwork vibrations.

**Reference arguments**

- Application:
  - standard centralised unidirectional air supply or exhaust fan for commercial CMEV system,
  - refurbishment,
  - suspended ceilings / Attic / equipment rooms / flat roofs,
  - air supply /exhaust,
  - indoor / outdoor / horizontal / vertical,
- Description:
  - EasyVEC® Compact Standard exhaust box fan with airflow of 2,000 m<sup>3</sup>/h,
  - easy to select: Selector poWair and Conceptor Ventilation design software,
  - easy to service: link to documentation via QR code, single access panel.

Ventilation box fan

## 11034551

### EasyVEC® Compact Standard 2000

#### Main characteristics

- AC motor,
- backward curve impeller,
- galvanised panels Z275.
- multiple options and accessories:
  - filter box,
  - ISO Coarse filter 60%, ePM10 50%, ePM1 50-75%,
  - filter replacement indicator
  - pressure switch,
  - 25 mm double-skin acoustic insulation,
- made in France.

#### Supplementary characteristics

- compatible with technical Approval for Modulated Ventilation Presence-Agito-CO2-Humidity-controlled no. 14.5/16-2185\_V1,
- ErP 2018,
- Eligible for ESC: BAT-TH-112, BAT-TH-125, BAT-EQ-123.

#### Accessories

| Désignations  | References |
|---|------------|
| Circuit breaker 2.5A - 4A                                 | 11057053   |
| BCA Mono single phase D315 4 kW + relay                   | 11090794   |
| BCA Mono single phase D315 6 kW + relay                   | 11090795   |
| BCA Ø 315 - 1 kW - 1C                                     | 11090762   |
| BCA Ø 315 - 2 kW - 1C                                     | 11090763   |
| BCA Ø 315 - 4 kW - 2C                                     | 11090764   |
| BCA Ø 315 - 6 kW - 2C                                     | 11090765   |
| BCA R Mono regulated 1-phase coil Ø 315 - 3 kW            | 11090808   |
| BCA R Tri regulated 3-phase coil Ø 315 - 12 kW            | 11090825   |
| BCA R Tri regulated 3-phase coil Ø 315 - 6 kW             | 11090824   |
| BCA R Mono regulated 1-phase coil Ø 315 - 6 kW            | 11090809   |
| Duct sensor +25/+90°C                                     | 11090900   |
| Airflow control kit (20-300 Pa)                           | 11090901   |
| Duct sensor -10/+35°C                                     | 11090902   |
| EC motor 0-10V 20K potentiometer for TAHA-TAVA micro-watt | 11024468   |
| Female rain hood + screen Ø315 mm                         | 11058205   |

#### Associated services

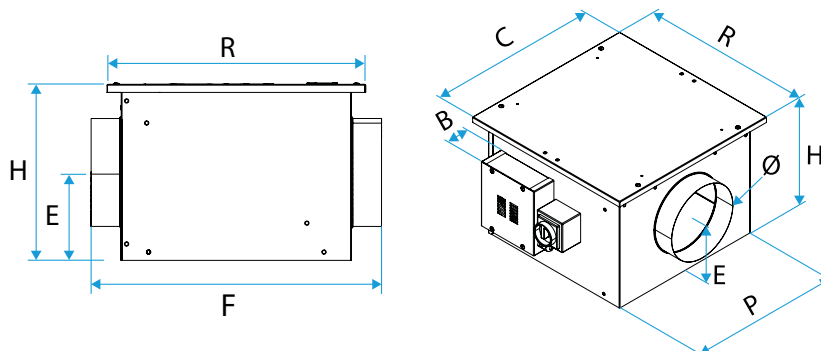
Commissioning

#### General data

| References | Type of motor |
|------------|---------------|
| 11034551   | EC            |

#### Dimensional data

| References | B (mm) | C (mm) | E (mm) | F (mm) | H (mm) | P (mm) | R (mm) | Ø (mm) | Weight (kg) |
|------------|--------|--------|--------|--------|--------|--------|--------|--------|-------------|
| 11034551   | 93     | 582    | 177    | 648    | 352    | 527    | 582    | 315    | 20          |



EasyVEC-Compact

Ventilation box fan

## 11034551

### EasyVEC® Compact Standard 2000

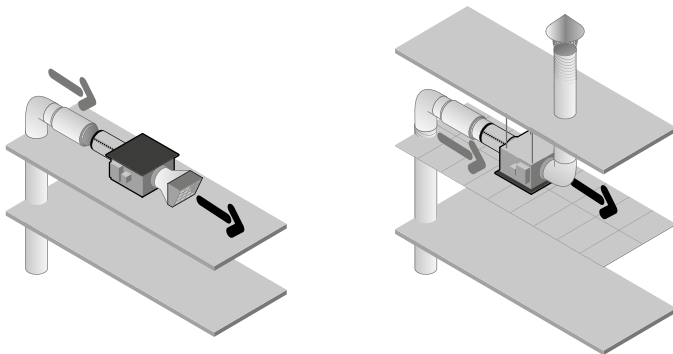
**Airflow data**

| References | Airflow (m³/h) |
|------------|----------------|
| 11034551   | 2000           |

**Electrical datas**

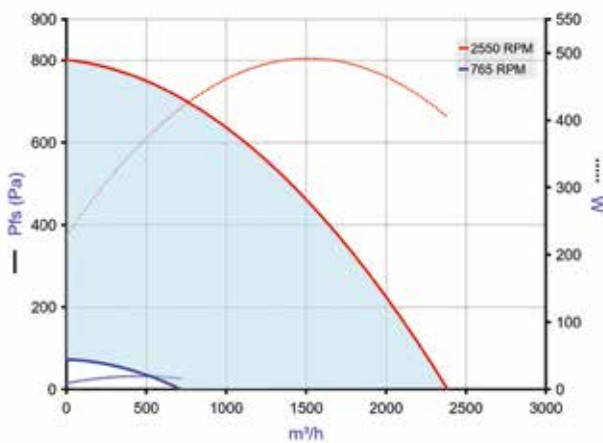
| References | Protection rating | Maximum current (A) | Maximum power (W) | Power supply | Max. power |
|------------|-------------------|---------------------|-------------------|--------------|------------|
| 11034551   | IP24              | 3.4                 | 782               | Single-phase | 782        |

**Installation visual 1**



EasyVEC-Compact

**Curve**



EasyVEC-Compact-2000

- > Aeraulic curves drawn up as per standard NF EN ISO 5801.
- > P (Pa) = static pressure.
- > P (W) = power consumption.