

## Ventilation box fan

11034501

## EasyVEC® Compact Standard 600 with choice of options

The best-designed range of exhaust box fans on the market, making ventilation efficient, serene, and easy.



## PRODUCT BENEFITS

- wide range from 300 to 3,000 m<sup>3</sup>/h
- compact size,
- 100% recyclable.

## REGLEMENTATIONS AND COMPLIANCES

Technical Opinion no.: 14.5/16-2185\_V2

## Principles of operation

EasyVEC® Compact Standard delivers exhaust ventilation in non-residential buildings, via air supply or exhaust.

With its compact dimensions and in-line configuration, this unit is ideal for applications in a suspended ceiling, where it will ensure adequate air quality and preserve the building structure.

## Product description

With its compact dimensions and in-line configuration, this unit is ideal for applications in a suspended ceiling.

## Fields of application

New, Refurbishment, Non-residential buildings

## Installation

- installation:
  - indoor or outdoor,
  - installation in suspended ceiling, pack of 4 adjustable straps 100 mm - 400 mm available to attach box to ceiling or to a beam,
  - outdoors: for roof installation, preferably positioned out of the wind to limit pressure losses at the outlet.
- For better acoustic and aeraulic performances, we recommend that you:
  - install sound attenuators at the unit connections,
  - use the ALDES VIRTUO-FIX range of sealed accessories,
  - use MS PRO sealed flexible sleeves to muffle ductwork vibrations.

## Reference arguments

- Application:
  - standard centralised unidirectional air supply or exhaust fan for commercial CMEV system,
  - refurbishment,
  - suspended ceilings / Attic / equipment rooms / flat roofs,
  - air supply /exhaust,
  - indoor / outdoor / horizontal / vertical,
- Description:
  - EasyVEC® Compact Standard exhaust box fan with airflow of 2,000 m<sup>3</sup>/h,
  - easy to select: Selector poWair and Conceptor Ventilation design software,
  - easy to service: link to documentation via QR code, single access panel.

## Ventilation box fan

11034501

EasyVEC® Compact Standard 600 with choice of options

## Main characteristics

- AC motor,
- backward curve impeller,
- galvanised panels Z275.
- multiple options and accessories:
  - filter box,
  - ISO Coarse filter 60%, ePM10 50%, ePM1 50-75%,
  - filter replacement indicator
  - pressure switch,
  - 25 mm double-skin acoustic insulation,
- made in France.

## Supplementary characteristics

- compatible with technical Approval for Modulated Ventilation Presence-Agito-CO2-Humidity-controlled no. 14.5/16-2185\_V1,
- ErP 2018,
- Eligible for ESC: BAT-TH-112, BAT-TH-125, BAT-EQ-123.

## Accessories

Désignations	Variants
Circuit breaker 1.0A to 1.6A	11056184
BCA Mono single phase D200 2 kW + relay	11090791
BCA Ø 200 - 1 kW - 1C	11090755
BCA Ø 200 - 2 kW - 1C	11090756
BCA Ø 200 - 3 kW - 1C	11090757
BCA R Mono regulated 1-phase coil Ø 200 - 1.5 kW	11090804
BCA R Tri regulated 3-phase coil Ø 200 - 6 kW	11090821
BCA R Mono regulated 1-phase coil Ø 200 - 3 kW	11090805
Duct sensor +25/+90°C	11090900
Airflow control kit (20-300 Pa)	11090901
Duct sensor -10/+35°C	11090902
Female rain hood + screen Ø 200 mm	11056102
	11086572
MS PRO V2 D200	11094296
MS outlet kit M0 Ø 200 mm	11025064

## Options

base
EXPORT
INTER2
ISOLA
REGLABLE
VARI3

## Associated services

Commissioning

## General data

Variants	Type of motor
11034501	AC

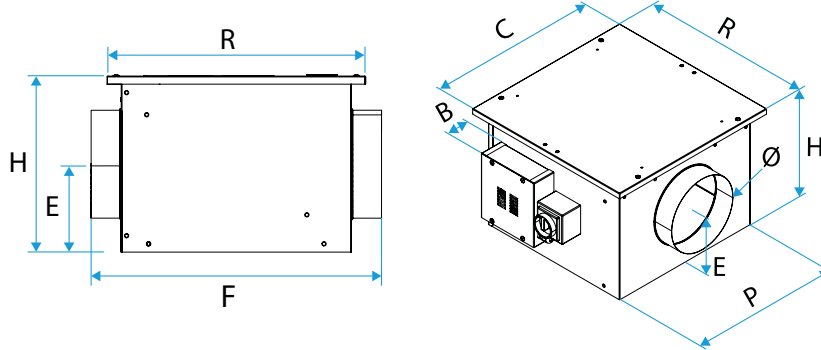
Ventilation box fan

## 11034501

### EasyVEC® Compact Standard 600 with choice of options

**Dimensional data**

Variants	B (mm)	C (mm)	E (mm)	F (mm)	H (mm)	P (mm)	R (mm)	Ø (mm)	Weight (kg)
11034501	93	482	164	538	327	427	482	200	12



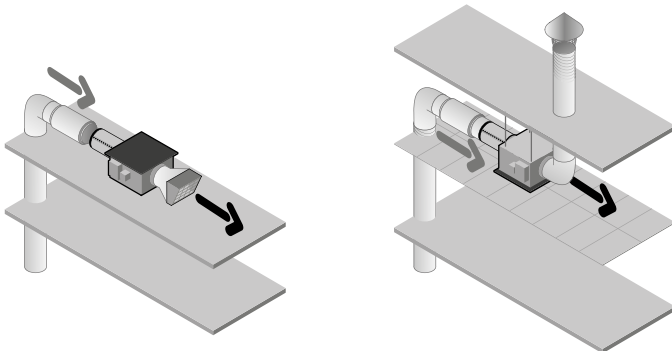
**Airflow data**

Variants	Airflow (m³/h)
11034501	600

**Electrical datas**

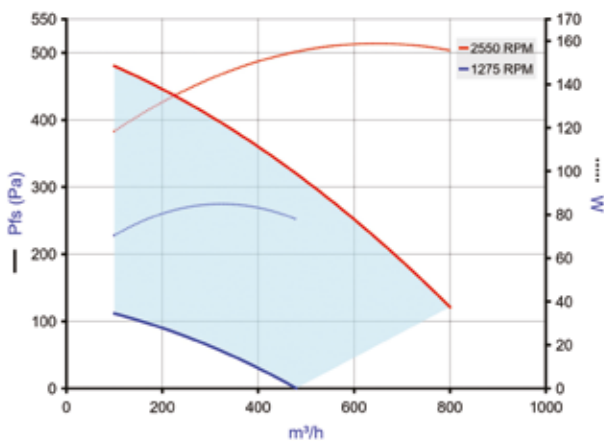
Variants	Protection rating	Maximum current (A)	Maximum power (W)	Power supply	Max. power	Max. power
11034501	IP24	0,8	184	Single-phase	0,184	184

**Installation**



EasyVEC-Compact

**Curve**



- > Aeraulic curves drawn up as per standard NF EN ISO 5801.
- > P (Pa) = static pressure.
- > P (W) = power consumption.