

CO2 sensor

11034098

EasyVEC® MICRO-WATT+ 10000 IP HMI CIRC STR

The best-designed range of exhaust box fans on the market, making ventilation efficient, serene, and easy.



PRODUCT BENEFITS

- wide range from 4000 to 12,000 m³/h,
- up to 50% less electricity consumed in relation to a Standard unit,
- 100% recyclable.

REGULATIONS AND COMPLIANCES

Technical Opinion no.: 14.5/16-2185_V2

Principles of operation

EasyVEC® Micro-watt+ delivers exhaust ventilation in non-residential buildings via air exhaust or supply to ensure sufficient air quality and to preserve the building structure.

Product description

- Aldes patented Micro-watt+ control automatically creates a custom regulation profile (Auto-Adaptive Technology™) to adapt the pressure delivered by the unit to the actual needs of the system. This means the ventilation is precisely adjusted to match needs and generates significant savings on heating costs. AldesConnect™ Pro can remotely monitor the fan unit for greater responsiveness in handling breakdowns and malfunctions.

Fields of application

New, Refurbishment, Non-residential buildings

Installation

- installation:
 - on anti-vibration slab as per DTU 68.3 recommendations,,
 - indoor or outdoor location,
 - sufficient space must be left in front of the box fan to avoid obstructing the access panel and allow maintenance of internal components.
 - for roof installation, preferably positioned out of the wind to limit pressure losses at the outlet.
- For better acoustic and aeratic performances, we recommend that you:
 - install sound attenuators at the unit connections,
 - use the ALDES VIRTUO-FIX range of sealed accessories,
 - use MS PRO sealed flexible sleeves to muffle ductwork vibrations.

Reference arguments

- Application:
 - centralised, very low-consumption unidirectional air supply or exhaust box fan for non-residential CMEV system,
 - new builds and refurbishment,
 - air supply /exhaust,
 - Micro-Watt+ Aldes Auto-Adaptive Technology™ controller for controlled pressure,
 - attic / equipment rooms / flat roofs,
 - indoor / outdoor.
- Description:
 - EasyVEC® Micro-Watt+ very low-consumption exhaust box fan,
 - easy to select: Selector PoWair and Conceptor Ventilation design software,
 - easy to configure via intuitive interface,
 - easy to service: link to documentation via QR code, single access panel, compatible with AldesConnect™ Pro supervision service (optional),
 - very low consumption.

CO2 sensor

11034098

EasyVEC® MICRO-WATT+ 10000 IP HMI CIRC STR

Main characteristics

- Micro-watt+ control and patented Aldes Auto-Adaptive Technology™ software to adapt the pressure delivered by the unit to the actual needs of the system,
- 3 other additional control modes:
 - MICRO- WATT at constant pressure,
 - via external 0-10V probe (e.g. CO2 sensor),
 - constant airflow.
- EC motor with very low power consumption (50/60 Hz),
- backward curve impeller,
- unit made of galvanised steel Z275,
- simple and intuitive EasyVEC® remote control,
- proximity switch as standard,
- humidity-controlled or pre-configured T.Flow control mode
- compatible with all types of ductwork, even with junctions,
- central system: savings on maintenance,
- alarm relay available by wiring to the PCB,
- multiple options and accessories:
 - filter box,
 - ISO filter coarse 60%, ePM10 50%, ePM1 50-75%, ePM1 85%,
 - pressure switch,
 - ducted discharge,
 - 25 mm dual-wall acoustic insulation,
 - compatible with Modbus RS485,
 - AldesConnect® Pro.
- made in France.

Supplementary characteristics

- compatible with Technical Approval for Modulated Ventilation - Presence-Agito-CO2-Hygro no. 14.5/16-2185_V1,
- ErP 2018,
- ECS-eligible: BAT-TH-112, BAT-TH-125, BAT-EQ-123.

Accessories

Description	Variants
Circuit breaker 11A - 16A	11057056
Duct sensor +25/+90°C	11090900
Airflow control kit (20-300 Pa)	11090901
Duct sensor -10/+35°C	11090902
Female rain hood + screen Ø710 mm	11056410
OCTA D710 sealed	11094647
MS PRO V2 D710	11094663

Filters

Description	Variants
G4 filter EasyVEC® 10000/12000	11034411
M5 filter EasyVEC® 10000/12000	11034414
F7 filter EasyVEC® 10000/12000	11034425
F9 filter EasyVEC® 10000/12000	11034428

Associated services

Commissioning

General data

Variants	Type of motor
11034098	EC

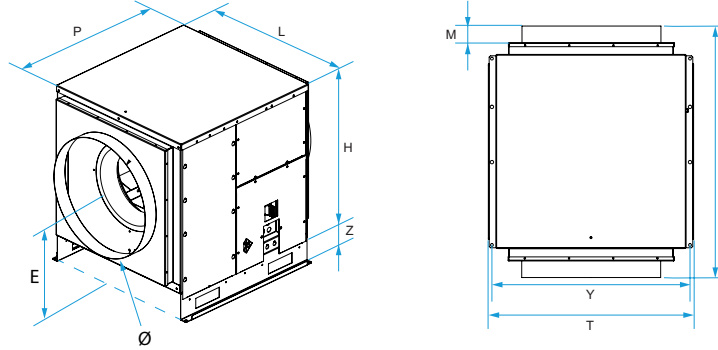
CO2 sensor

11034098

EasyVEC® MICRO-WATT+ 10000 IP HMI CIRC STR

Dimensional data

Variants	E (mm)	F (mm)	H (mm)	L (mm)	M (mm)	P (mm)	T (mm)	Y (mm)	Z (mm)	Ø (mm)
11034098	575	1155	905	910	60	945	960	940	115	710



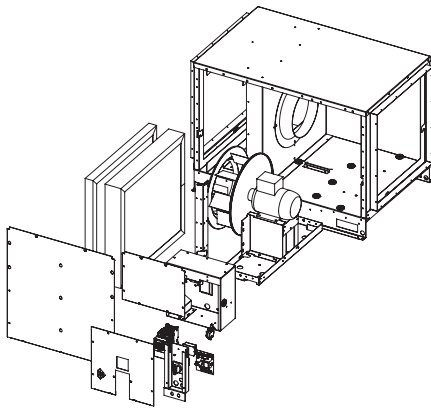
Airflow data

Variants	Airflow (m³/h)
11034098	10000

Electrical datas

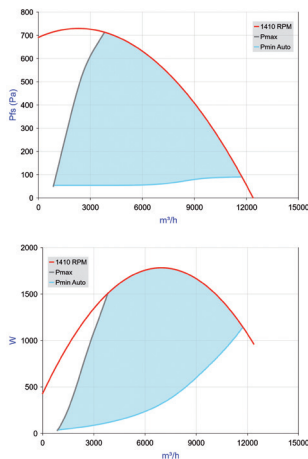
Variants	Maximum power (W)	Max. power	Max. power	Protection rating	Maximum current (A)	Power supply
11034098	2200	2,2	2200	IP24	15,7	Single-phase

Principles of operation



EasyVEC-MWPlus-12000

Curve



- > Aeraulic curves drawn up as per standard NF EN ISO 5801.
- > P (Pa) = static pressure.
- > P (W) = power consumption.