

Ventilation box fan

11034588

EasyVEC® MICRO-WATT 4000 IP

The best-designed range of exhaust box fans on the market, making ventilation efficient, serene, and easy.



EasyVEC-MWPlus-4000

EasyVEC-MWPlus-4000

PRODUCT BENEFITS

- wide range from 4000 to 12,000 m³/h,
- up to 30% less electricity consumed in relation to a Standard unit,
- 100% recyclable.

REGLEMENTATIONS AND COMPLIANCES

Technical Opinion no.: 14.5/16-2185_V2

Principles of operation

EasyVEC® Micro-watt delivers exhaust ventilation in non-residential buildings via air exhaust or supply to ensure sufficient air quality and to preserve the building structure.

Product description

The Micro-watt constant pressure controller enables significant savings on heating costs compared to a non-regulated (Standard) fan unit. AldesConnect™ Pro can remotely monitor the fan unit for greater responsiveness in handling breakdowns and malfunctions.

Fields of application

New, Refurbishment, Non-residential buildings

Installation

- installation:
 - indoor or outdoor location,
 - outdoors: for roof installation, preferably positioned out of the wind to limit pressure losses at the outlet.
- For better acoustic and aerodynamic performances, we recommend that you:
 - install sound attenuators at the unit connections,
 - use the ALDES VIRTUO-FIX range of sealed accessories,
 - use MS PRO sealed flexible sleeves to muffle ductwork vibrations.

Reference arguments

- Application:
 - centralised, low-consumption unidirectional air supply or exhaust box fan for commercial CMEV system,
 - new and refurbishment,
 - air supply /exhaust,
 - Micro-watt controller for constant pressure,
 - attic / equipment rooms / flat roofs,
 - indoor / outdoor.
- Description:
 - EasyVEC® Micro-Watt low-consumption exhaust box fan,
 - easy to select: Selector poWair® and Conceptor Ventilation design software,
 - easy to configure via intuitive interface,
 - easy to service: link to documentation via QR code, single access panel, compatible with AldesConnect™ Pro supervision service (optional),
 - low power consumption.

Ventilation box fan

11034588

EasyVEC® MICRO-WATT 4000 IP

Main characteristics

- 2 control modes: constant pressure to minimise consumption or via external 0-10V probe,
- EC low-consumption motor (50/60Hz),
- backward curve impeller,
- unit made of galvanised steel Z275,
- simple and intuitive EasyVEC® remote control,
- proximity switch as standard,
- humidity-controlled or pre-configured T.Flow control mode
- compatible with all types of ductwork, even with junctions,
- central system: savings on maintenance,
- alarm relay available by wiring to the PCB,
- multiple options and accessories:
 - filter box,
 - ISO filter coarse 60%, ePM10 50%, ePM1 50-75%, ePM1 85%,
 - pressure switch,
 - ducted discharge,
 - 25 mm dual-wall acoustic insulation,
 - compatible with Modbus RS485,
 - AldesConnect® Pro.
- made in France.

Supplementary characteristics

- compatible with Technical Approval for Modulated Ventilation - Presence-Agito-CO2-Hygro no. 14.5/16-2185_V1,
- ErP 2018,
- ECS-eligible: BAT-TH-112, BAT-TH-125, BAT-EQ-123.

Accessories

Désignations	References
Circuit breaker 4A - 6.3A	11057054
BCA Ø 500 - 30 kW - 6C	11090781
BCA Ø 500 - 36 kW - 6C	11090782
BCA Ø 500 - 12 kW - 3C	11090775
BCA Ø 500 - 18 kW - 6C	11090780
BCA R Tri regulated 3-phase coil Ø 500 - 9 kW	11090832
BCA R Tri regulated 3-phase coil Ø 500 - 18 kW	11090833
Duct sensor +25/+90°C	11090900
Airflow control kit (20-300 Pa)	11090901
Duct sensor -10/+35°C	11090902
Female rain hood + screen Ø 500 mm	11056374

Consumables

Désignations	References
M5 filter EasyVEC® 4000	11034412
F7 filter EasyVEC® 4000	11034415
F9 filter EasyVEC® 4000	11034426
G4 filter EasyVEC® 4000	11034409

Options

base
BACNET
CIRC
CONNECT
EXPORT
INDIC
ISOLA
MODBUS
RAILS
REGLABLE

Ventilation box fan

11034588

EasyVEC® MICRO-WATT 4000 IP

Associated services

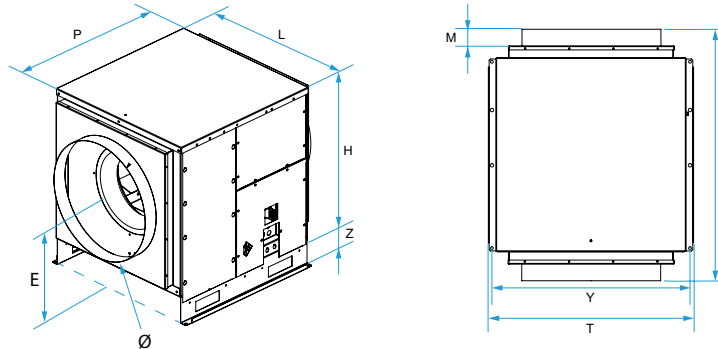
Commissioning

General data

References	Type of motor
11034588	EC

Dimensional data

References	E (mm)	F (mm)	H (mm)	L (mm)	M (mm)	P (mm)	T (mm)	Y (mm)	Z (mm)	Ø (mm)
11034588	450	910	665	690	60	700	740	720	115	500



EasyVEC® Micro-watt

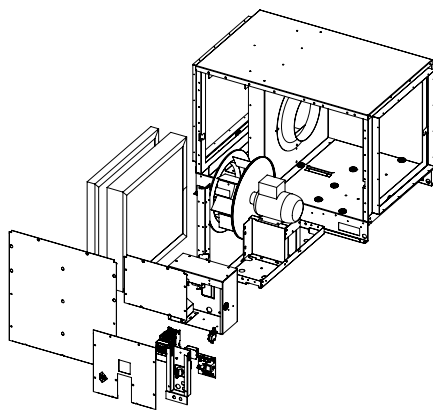
Airflow data

References	Airflow (m³/h)
11034588	4000

Electrical datas

References	Protection rating	Maximum current (A)	Maximum power (W)	Power supply	Max. power
11034588	IP24	5	700	Single-phase	700

Principe de fonctionnement



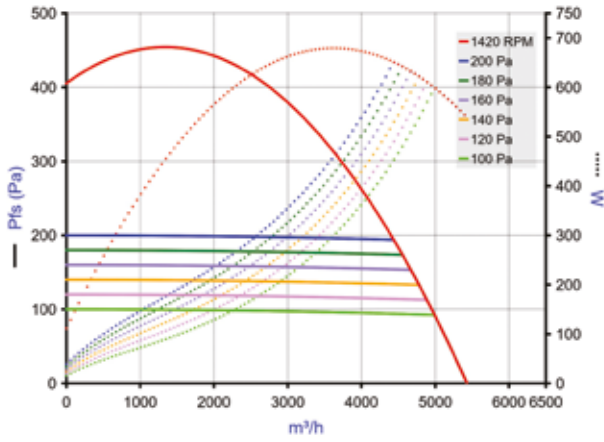
EasyVEC-MWPlus-12000

Ventilation box fan

11034588

EasyVEC® MICRO-WATT 4000 IP

Curve



- > Aeraulic curves drawn up as per standard NF EN ISO 5801.
- > P (Pa) = static pressure.
- > P (W) = power consumption.

EasyVEC-MW-4000