

Ventilation box fan

11034638

EasyVEC® MICRO-WATT+ 4000 IP

The best-designed range of exhaust box fans on the market, making ventilation efficient, serene, and easy.



EasyVEC-MWPlus-4000

EasyVEC-MWPlus-4000

PRODUCT BENEFITS

- wide range from 4000 to 12,000 m³/h,
- up to 50% less electricity consumed in relation to a Standard unit,
- 100% recyclable.

REGLEMENTATIONS AND COMPLIANCES

Technical Opinion no.: 14.5/16-2185_V2

Principles of operation

EasyVEC® Micro-watt+ delivers exhaust ventilation in non-residential buildings via air exhaust or supply to ensure sufficient air quality and to preserve the building structure.

Product description

• Aldes patented Micro-watt+ control automatically creates a custom regulation profile (Auto-Adaptive Technology™) to adapt the pressure delivered by the unit to the actual needs of the system. This means the ventilation is precisely adjusted to match needs and generates significant savings on heating costs. AldesConnect™ Pro can remotely monitor the fan unit for greater responsiveness in handling breakdowns and malfunctions.

Fields of application

New, Refurbishment, Non-residential buildings

Installation

- installation:
 - on anti-vibration slab as per DTU 68.3 recommendations,,
 - indoor or outdoor location,
 - sufficient space must be left in front of the box fan to avoid obstructing the access panel and allow maintenance of internal components.
 - for roof installation, preferably positioned out of the wind to limit pressure losses at the outlet.
- For better acoustic and aeratic performances, we recommend that you:
 - install sound attenuators at the unit connections,
 - use the ALDES VIRTUO-FIX range of sealed accessories,
 - use MS PRO sealed flexible sleeves to muffle ductwork vibrations.

Reference arguments

- Application:
 - centralised, very low-consumption unidirectional air supply or exhaust box fan for commercial CMEV system,
 - new and refurbishment,
 - air supply /exhaust,
 - Aldes Auto-Adaptative Technology™ Micro-watt+ controller for pressure control,
 - attic / equipment rooms / flat roofs,
 - indoor / outdoor.
- Description:
 - EasyVEC® Micro-Watt+ very low-consumption exhaust box fan,
 - easy to select: Selector poWair® and Conceptor Ventilation design software,
 - easy to configure via intuitive interface,
 - easy to service: link to documentation via QR code, single access panel, compatible with AldesConnect™ Pro supervision service (optional),
 - very low power consumption.

Ventilation box fan

11034638

EasyVEC® MICRO-WATT+ 4000 IP

Main characteristics

- Micro-watt+ control and patented Aldes Auto-Adaptive Technology™ software to adapt the pressure delivered by the unit to the actual needs of the system,
- 3 other additional control modes:
 - MICRO- WATT at constant pressure,
 - via external 0-10V probe (e.g. CO2 sensor),
 - constant airflow.
- EC motor with very low power consumption (50/60 Hz),
- backward curve impeller,
- unit made of galvanised steel Z275,
- simple and intuitive EasyVEC® remote control,
- proximity switch as standard,
- humidity-controlled or pre-configured T.Flow control mode
- compatible with all types of ductwork, even with junctions,
- central system: savings on maintenance,
- alarm relay available by wiring to the PCB,
- multiple options and accessories:
 - filter box,
 - ISO filter coarse 60%, ePM10 50%, ePM1 50-75%, ePM1 85%,
 - pressure switch,
 - ducted discharge,
 - 25 mm dual-wall acoustic insulation,
 - compatible with Modbus RS485,
 - AldesConnect® Pro.
- made in France.

Supplementary characteristics

- compatible with Technical Approval for Modulated Ventilation - Presence-Agito-CO2-Hygro no. 14.5/16-2185_V1,
- ErP 2018,
- ECS-eligible: BAT-TH-112, BAT-TH-125, BAT-EQ-123.

Accessories

Désignations	References
Circuit breaker 4A - 6.3A	11057054
BCA Ø 500 - 30 kW - 6C	11090781
BCA Ø 500 - 36 kW - 6C	11090782
BCA Ø 500 - 12 kW - 3C	11090775
BCA Ø 500 - 18 kW - 6C	11090780
BCA R Tri regulated 3-phase coil Ø 500 - 9 kW	11090832
BCA R Tri regulated 3-phase coil Ø 500 - 18 kW	11090833
Duct sensor +25/+90°C	11090900
Airflow control kit (20-300 Pa)	11090901
Duct sensor -10/+35°C	11090902
Female rain hood + screen Ø 500 mm	11056374

Consumables

Désignations	References
M5 filter EasyVEC® 4000	11034412
F7 filter EasyVEC® 4000	11034415
F9 filter EasyVEC® 4000	11034426
G4 filter EasyVEC® 4000	11034409

Options

base
BACNET
CIRC
CONNECT
EXPORT

Ventilation box fan

11034638

EasyVEC® MICRO-WATT+ 4000 IP

Options

INDIC
ISOLA
MODBUS
RAILS
REGLABLE

Associated services

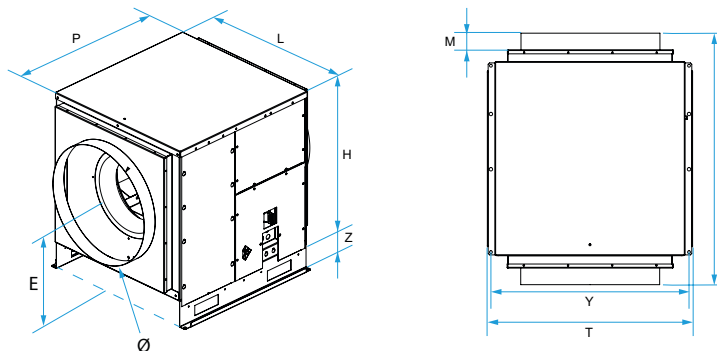
Commissioning

General data

References	Type of motor
11034638	EC

Dimensional data

References	E (mm)	F (mm)	H (mm)	L (mm)	M (mm)	P (mm)	T (mm)	Y (mm)	Z (mm)	Ø (mm)
11034638	450	910	665	690	60	700	740	720	115	500



EasyVEC® Micro-watt +

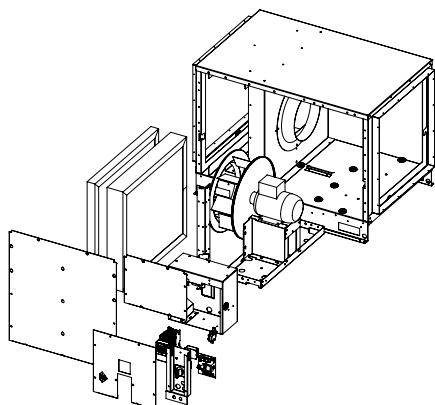
Airflow data

References	Airflow (m³/h)
11034638	4000

Electrical datas

References	Protection rating	Maximum current (A)	Maximum power (W)	Power supply	Max. power
11034638	IP24	5	700	Single-phase	700

Principe de fonctionnement



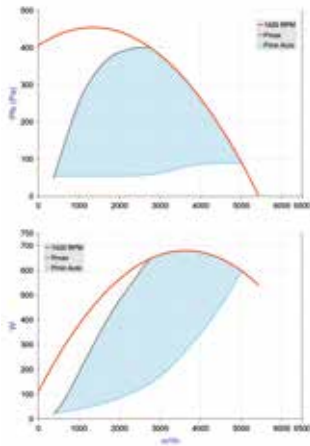
EasyVEC-MWPlus-12000

Ventilation box fan

11034638

EasyVEC® MICRO-WATT+ 4000 IP

Curve



- > Aerodynamic curves drawn up as per standard NF EN ISO 5801.
- > P (Pa) = static pressure.
- > P (W) = power consumption.

EasyVEC-MWPlus-4000