

Ventilation box fan

11034640

EasyVEC® MICRO-WATT+ 6500 IP

The best-designed range of exhaust box fans on the market, making ventilation efficient, serene, and easy.



EasyVEC-MWPlus-4000

EasyVEC-MWPlus-4000

PRODUCT BENEFITS

- wide range from 4000 to 12,000 m³/h,
- up to 50% less electricity consumed in relation to a Standard unit,
- 100% recyclable.

REGLEMENTATIONS AND COMPLIANCES

Technical Opinion no.: 14.5/16-2185_V2

Principles of operation

EasyVEC® Micro-watt+ delivers exhaust ventilation in non-residential buildings via air exhaust or supply to ensure sufficient air quality and to preserve the building structure.

Product description

- Aldes patented Micro-watt+ control automatically creates a custom regulation profile (Auto-Adaptive Technology™) to adapt the pressure delivered by the unit to the actual needs of the system. This means the ventilation is precisely adjusted to match needs and generates significant savings on heating costs. AldesConnect™ Pro can remotely monitor the fan unit for greater responsiveness in handling breakdowns and malfunctions.

Fields of application

New, Refurbishment, Non-residential buildings

Installation

- installation:
 - on anti-vibration slab as per DTU 68.3 recommendations,,
 - indoor or outdoor location,
 - sufficient space must be left in front of the box fan to avoid obstructing the access panel and allow maintenance of internal components.
 - for roof installation, preferably positioned out of the wind to limit pressure losses at the outlet.
- For better acoustic and aeratic performances, we recommend that you:
 - install sound attenuators at the unit connections,
 - use the ALDES VIRTUO-FIX range of sealed accessories,
 - use MS PRO sealed flexible sleeves to muffle ductwork vibrations.

Reference arguments

- Application:
 - centralised, very low-consumption unidirectional air supply or exhaust box fan for commercial CMEV system,
 - new and refurbishment,
 - air supply /exhaust,
 - Aldes Auto-Adaptative Technology™ Micro-watt+ controller for pressure control,
 - attic / equipment rooms / flat roofs,
 - indoor / outdoor.
- Description:
 - EasyVEC® Micro-Watt+ very low-consumption exhaust box fan,
 - easy to select: Selector poWair® and Conceptor Ventilation design software,
 - easy to configure via intuitive interface,
 - easy to service: link to documentation via QR code, single access panel, compatible with AldesConnect™ Pro supervision service (optional),
 - very low power consumption.

Ventilation box fan

11034640

EasyVEC® MICRO-WATT+ 6500 IP

Main characteristics

- Micro-watt+ control and patented Aldes Auto-Adaptive Technology™ software to adapt the pressure delivered by the unit to the actual needs of the system,
- 3 other additional control modes:
 - MICRO- WATT at constant pressure,
 - via external 0-10V probe (e.g. CO2 sensor),
 - constant airflow.
- EC motor with very low power consumption (50/60 Hz),
- backward curve impeller,
- unit made of galvanised steel Z275,
- simple and intuitive EasyVEC® remote control,
- proximity switch as standard,
- humidity-controlled or pre-configured T.Flow control mode
- compatible with all types of ductwork, even with junctions,
- central system: savings on maintenance,
- alarm relay available by wiring to the PCB,
- multiple options and accessories:
 - filter box,
 - ISO filter coarse 60%, ePM10 50%, ePM1 50-75%, ePM1 85%,
 - pressure switch,
 - ducted discharge,
 - 25 mm dual-wall acoustic insulation,
 - compatible with Modbus RS485,
 - AldesConnect® Pro.
- made in France.

Supplementary characteristics

- compatible with Technical Approval for Modulated Ventilation - Presence-Agito-CO2-Hygro no. 14.5/16-2185_V1,
- ErP 2018,
- ECS-eligible: BAT-TH-112, BAT-TH-125, BAT-EQ-123.

Accessories

Désignations	References
Circuit breaker 6.3A - 10A	11057055
BCA R Tri regulated 3-phase coil Ø 630 - 24 kW	11090837
BCA R Tri regulated 3-phase coil Ø 630 - 12 kW	11090836
Duct sensor +25/+90°C	11090900
BCA R Tri regulated 3-phase coil Ø 630 - 36 kW	11090838
Airflow control kit (20-300 Pa)	11090901
Duct sensor -10/+35°C	11090902
Female rain hood + screen Ø 630 mm	11056375

Consumables

Désignations	References
G4 filter EasyVEC® 5000/6500/8000	11034410
M5 filter EasyVEC® 5000/6500/8000	11034413
F7 filter EasyVEC® 5000/6500/8000	11034416
F9 filter EasyVEC® 5000/6500/8000	11034427

Options

base
BACNET
CIRC
CONNECT
EXPORT
INDIC
ISOLA
MODBUS

Ventilation box fan

11034640

EasyVEC® MICRO-WATT+ 6500 IP

Options

RAILS
REGLABLE

Associated services

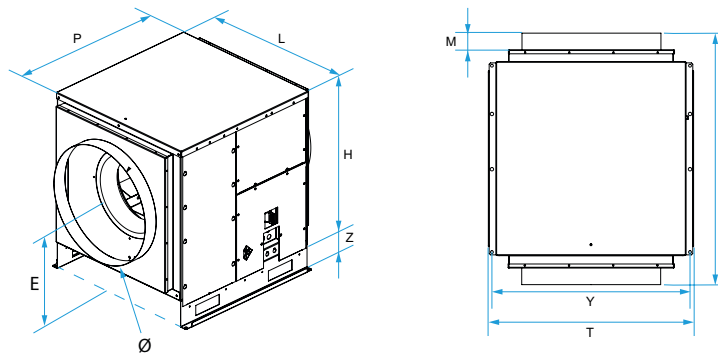
Commissioning

General data

References	Type of motor
11034640	EC

Dimensional data

References	E (mm)	F (mm)	H (mm)	L (mm)	M (mm)	P (mm)	T (mm)	Y (mm)	Z (mm)	Ø (mm)
11034640	500	975	760	790	60	765	835	815	115	630



EasyVEC® Micro-watt +

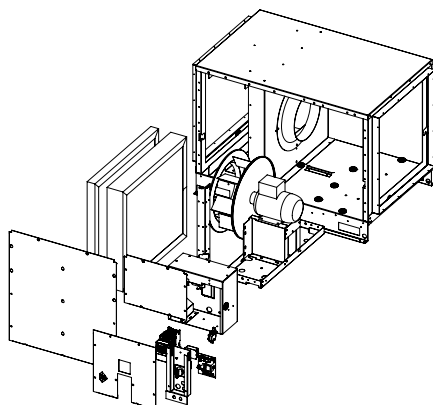
Airflow data

References	Airflow (m³/h)
11034640	6500

Electrical datas

References	Protection rating	Maximum current (A)	Maximum power (W)	Power supply	Max. power
11034640	IP24	8.3	1250	Single-phase	1250

Principe de fonctionnement



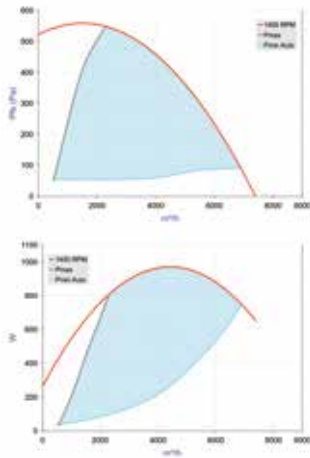
EasyVEC-MWPlus-12000

Ventilation box fan

11034640

EasyVEC® MICRO-WATT+ 6500 IP

Curve



- > Aeraulic curves drawn up as per standard NF EN ISO 5801.
- > P (Pa) = static pressure.
- > P (W) = power consumption.

EasyVEC-MWPlus-6500