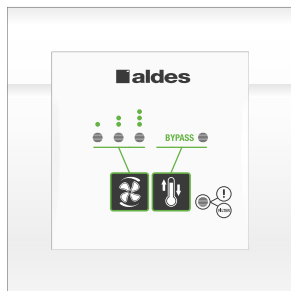


11023066

Exchanger control ES300 COLL

Motorless heat recovery system in multi-occupancy housing



Commande échangeur

PRODUCT BENEFITS

- energy savings: high-efficiency exchanger,
- individual heat exchanger: each dwelling recovers its own calories.

REGLEMENTATIONS AND COMPLIANCES

Technical Opinion no.: France

Principles of operation

In multi-occupancy residential housing, enables pre-heating and filtration of air for each dwelling using EasyVEC® fan units for air supply and exhaust.

Product description

In multi-occupancy residential housing, enables pre-heating and filtration of air for each dwelling using EasyVEC® fan units for air supply and exhaust.

Fields of application

Multi-occupancy residential housing, New, Refurbishment

Installation

- horizontal suspension on ceiling::
 - in suspended ceiling of equipment room,
 - attachment using Ø 8 mm threaded rod.
- horizontal on floor with separate attachment kit for each exchanger and each motor,
- vertical on wall:
 - in cupboard or equipment room,
 - attached using feet or floor attachment kit,
 - use horizontal mounting kit.

Main characteristics

- material:
 - expanded polypropylene unit,
- 4 x Ø 160 mm connections,
- coarse filter 65% on exhaust and fresh air filter on air supply unit,
- high-efficiency counter-current exchanger (85% efficiency at 120 m³/h)
- bypass version with extension and over-ventilation.

General data

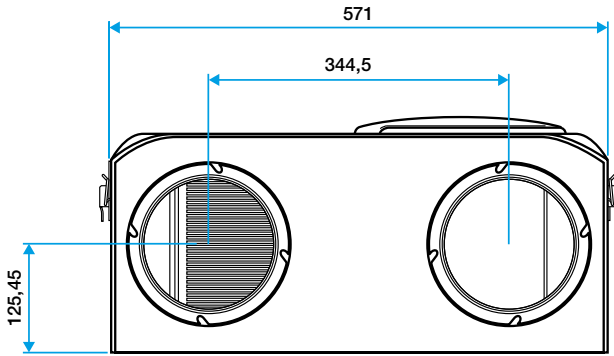
References	Main material
11023066	ABS plastic

11023066

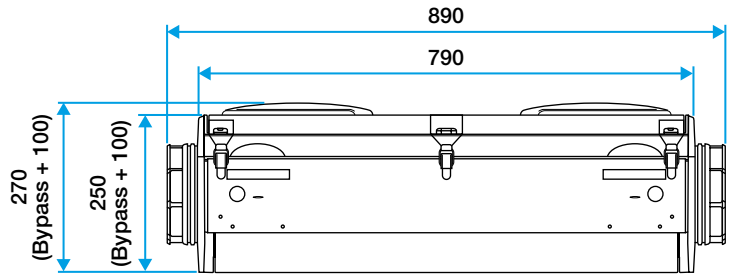
Exchanger control ES300 COLL

Dimensional data

References	Weight (kg)
11023066	0,1



Echangeur vue piquages



Echangeur vue longueur

Electrical datas

References	Power supply
11023066	Single-phase