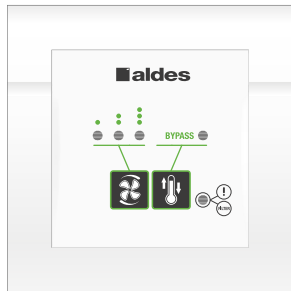


11023067

Exchanger controls and control unit ES300 BYPASS COLL

Motorless heat recovery system in multi-occupancy housing



Exchanger controls and control unit

PRODUCT BENEFITS

- energy savings: high-efficiency exchanger,
- individual heat exchanger: each dwelling recovers its own calories.

REGLEMENTATIONS AND COMPLIANCES

Technical Opinion no.: France

Principles of operation

In multi-occupancy residential housing, enables pre-heating and filtration of air for each dwelling using EasyVEC® fan units for air supply and exhaust.

Product description

In multi-occupancy residential housing, enables pre-heating and filtration of air for each dwelling using EasyVEC® fan units for air supply and exhaust.

Fields of application

Multi-occupancy residential housing, New, Refurbishment

Installation

- horizontal suspension on ceiling::
 - in suspended ceiling of equipment room,
 - attachment using Ø 8 mm threaded rod.
- horizontal on floor with separate attachment kit for each exchanger and each motor,
- vertical on wall:
 - in cupboard or equipment room,
 - attached using feet or floor attachment kit,
 - use horizontal mounting kit.

Main characteristics

- material:
 - expanded polypropylene unit,
- 4 x Ø 160 mm connections,
- coarse filter 65% on exhaust and fresh air filter on air supply unit,
- high-efficiency counter-current exchanger (85% efficiency at 120 m³/h)
- bypass version with extension and over-ventilation.

Contents of kits

- controls for static heat exchanger with bypass;1
- system regulator box with bypass:1

General data

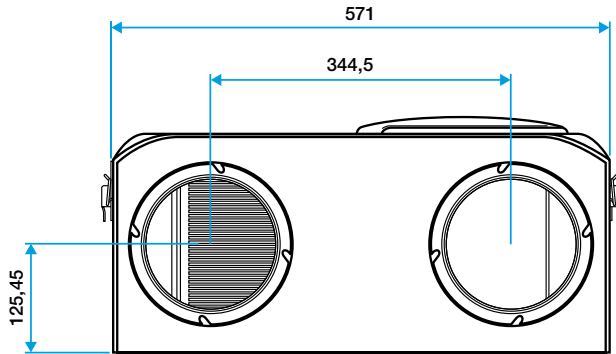
References	Main material
11023067	ABS plastic

11023067

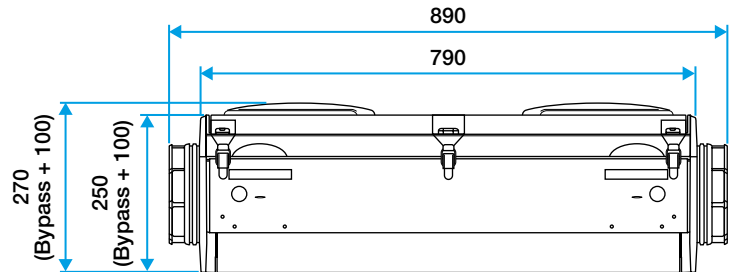
Exchanger controls and control unit ES300 BYPASS COLL

Dimensional data

References	Weight (kg)
11023067	0,38



Echangeur vue piquages



Echangeur vue longueur

Electrical datas

References	Power supply
11023067	Single-phase