

## Connector

# 11094514

## GALVA CIRC RA - D250/250

The PEC circular 90° branch connector makes a right-angle branch on a galvanised circular duct.



Piquage Equerre Circulaire 90°

### Product description

The PEC circular 90° branch connector makes a right-angle branch on a galvanised circular duct. The PEC circular 90° branch connector is for use on horizontal branches specific to commercial systems. It is not recommended for use on residential type risers (use factory-fitted CRE storey elements).

### Fields of application

Multi-occupancy residential housing, New, Refurbishment, Non-residential buildings

### Installation

- when installing, pay special attention to pressures losses, noise and leaks that may be generated,
- easy assembly of interlocking accessories: ducts are female, accessories are male,
- final seal requires sealant and/or perforated strip,
- attached to duct using self-tapping screws (4 to 6 depending on diameter).

### Reference arguments

Application:

- Serves to add a 90° bend diameter 250 mm to circular ducting diameter 250 mm.

Description:

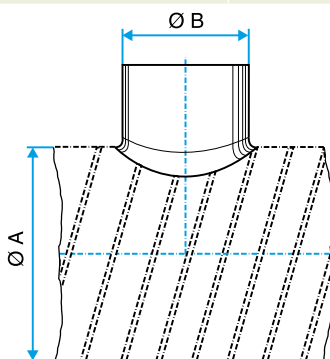
- Galvanised steel connector diameter 250/250 mm

### Main characteristics

- available in diameters from 80 to 900,
- galvanised steel as per EN 10346 ensuring uniformity of coating,
- MO fire certification.

### Dimensional data

| References | Ø A (mm) | Ø B (mm) |
|------------|----------|----------|
| 11094514   | 250      | 250      |



Dimensional drawing circular 90° branch connector

## Connector

# 11094514

## GALVA CIRC RA - D250/250

## Regulatory data

| References | Fire protection rating |
|------------|------------------------|
| 11094514   | M0                     |