

Duct grille

11050148

GD102D F1 325X75

The GD 102 D indoor duct grille is used for air supply in commercial buildings.



GD102D F1 325X75

PRODUCT BENEFITS

- suitable for circular and oblong ducts in all standard diameters.

Principles of operation

The GD 102 D indoor duct grille operates on the supply circuit for all ventilation and air conditioning systems in commercial buildings. Installed on cylindrical or oblong duct.

Product description

The GD 102 D indoor duct grille is used for air supply in all ventilation and air conditioning systems in commercial buildings. Installed on cylindrical or oblong duct. Dual-deflection grille with individually adjusted movable horizontal rear vanes and vertical front vanes, 20 mm pitch, galvanised steel with natural hue.

Fields of application

New, Refurbishment, Non-residential buildings

Installation

- attached to circular or oblong ducts,
- visible screw attachment in frame.

Reference arguments

- GD 102 F1: single deflection grille (return) with movable, individually adjustable vertical fins, 20 mm pitch.
- GD 102 D F1: double deflection grille (air supply) with movable, individually adjustable horizontal fins at rear, vertical at front, 20 mm pitch.
- Galvanised steel, natural finish.
- Visible screw attachment in frame.

Main characteristics

- dual deflection terminal with horizontal vanes at rear and vertical, individually adjustable vanes on front, pitch 20 mm,
- galvanised steel with natural finish,
- visible screw attachment in the frame on cylindrical or oblong duct.
- dimensions range from 325 x 75 to 1225 x 225 mm.

Accessories

Désignations	References
DUCT GRILLE DAMPER H325X75	11053959
DUCT GRILLE DAMPER N325X75	11053969

General data

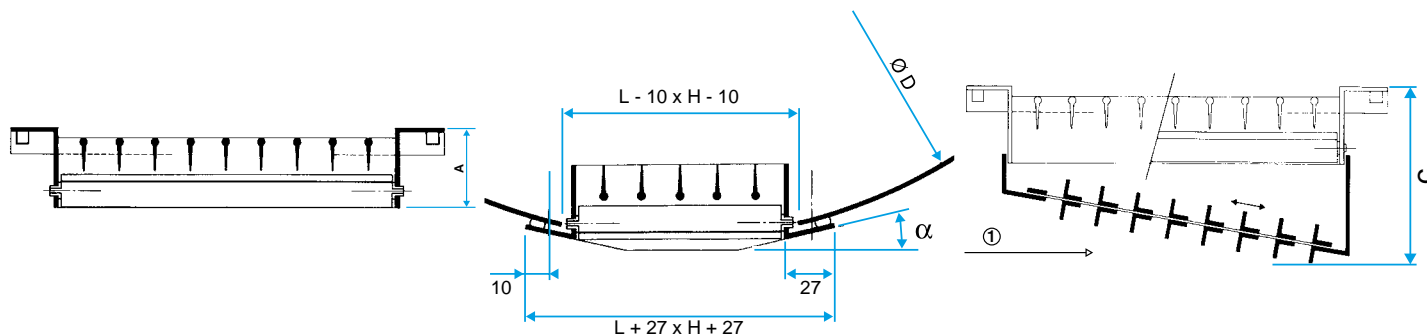
References	Type of finish	Colour
11050148	Galvanised steel	Galvanised steel

Duct grille

11050148
GD102D F1 325X75

Dimensional data

References	A (mm)	B (mm)	C (mm)	H (mm)	L (mm)	Max. Ø D duct (mm)	Min. Ø D duct (mm)
11050148	42	86	124	75	325	400	160



Grille GD 102 D seule

Airflow data

References	Comfort airflow (air supply with damper N 100% open) for Lw < NR 25 (m³/h)
11050148	190