

**Transfer grille****11045590**  
**GFE grille visible frame (OMEGA clip option possible)**

The frame of the GFE grille - Visible frame offers a discreet aesthetic finish on a wall surface while concealing an opening.



GFE cadre apparent finition aluminium anodisé

**PRODUCT BENEFITS**

- discreet aesthetic finish flush with wall,
- RAL paint colours available,
- robust protection of smoke control damper.

**Principles of operation**

The decorative GFE grille - Visible frame is flush-fitted in the wall to protect and decorate the smoke control damper.

**Product description**

Simply install the GFE grille - Visible frame directly in the opening in front of the damper. The visible frame offers a discreet aesthetic finish on a wall surface while concealing an opening.

**Fields of application**

New, Refurbishment, Non-residential buildings

**Installation**

- grille flush-mounted in wall,
- in preference, fixed using F4 mounting frame attached to wall,
- fitted with specific F3 clips.

**Main characteristics**

- compliant with resistance test report:
  - fully covers the damper,
- fin core identical to an aluminium GFA.
- fixed fin core,
- flat frame 27 mm,
- air passage  $\geq 91.3\%$ ,
- available for opening dimensions L x H:
  - $250 \leq L \leq 1,200$  mm (in 5 mm increments),
  - $250 \leq H \leq 3,200$  mm (in 5 mm increments).
- choice of L and H dimensions according to rule:
  - L (grille) = overall width of damper + 40 mm,
  - H (grille) = overall height of damper + 80 mm,
  - round L and H up to the nearest 25 mm increment.
- finishes:
  - high-resistance epoxy paint possible depending on RAL colour desired,
  - ALDES ARCHITECT finish: metallic paint finish or patterned (wood, stone, etc.).

**General data**

References	Type of finish
11045590	Elegance

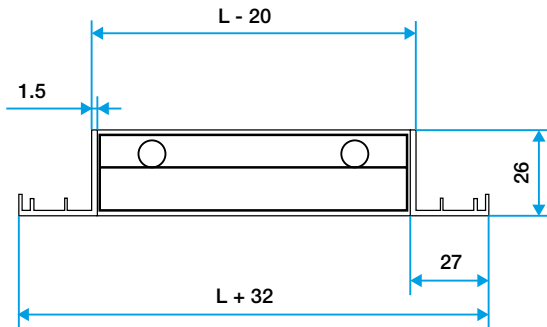
Transfer grille

## 11045590

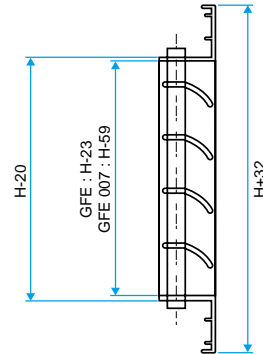
GFE grille visible frame (OMEGA clip option possible)

Dimensional data

References	Lmin x Hmin (mm)	Lmax x Hmax (mm)
11045590	250 x 250	1200 x 3200

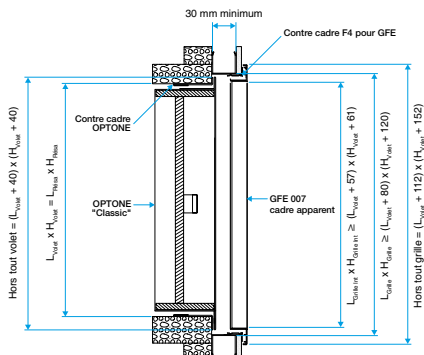


Encombrement vue de dessus (mm)



Encombrement vue de profil (mm)

Installation visual 1



Implantation grille GFE cadre apparent pour maintenance volet OPTONE.