

11022036

Grey flap outlet D125 + lead plate

The flap outlet is used for air outlet or intake on a ventilation system in a single-family dwelling.



Flap outlet

PRODUCT BENEFITS

- available in grey and brown,
- discreet installation,
- low pressure losses.

Product description

The flap outlet is used for air inlet or outlet on a CMEV system in an individual house. It is compatible with all types of roofs and available in grey or brown for discreet integration.

Fields of application

Individual residential housing, New, Refurbishment

Installation

- not for use with Gas CMEV,
- for all roof types: tile, slate, etc.

Reference arguments

Application:

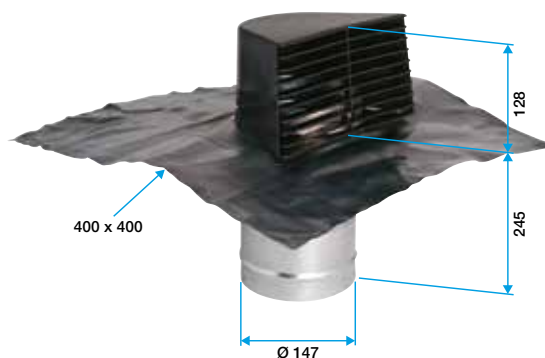
- Roof cowl outlet for exhaust and heat recovery ventilation systems in individual houses, new builds or refurbishment

Description:

- ABS deflector with protective screen
- Available in grey (RAL 7015) or brown (RAL 8028)
- Galvanised metal sleeve, Ø 150 mm,
- Ø 125 mm connection with adaptor seal supplied
- Lead plate 400 x 400 mm

Main characteristics

- ABS deflector with protective grille,
- available in grey (RAL 7015) or brown (RAL 8028),
- galvanised sheet metal sleeve, diameter 150 mm,
- 125 mm diameter connection with adaptor seal supplied,
- lead plate 400 x 400 mm.



Encombrement Sortie Chatière

11022036

Grey flap outlet D125 + lead plate