

Axial fan**11032253**
HELICA 250 - 2800 rpm Square plate V2

Helica easily ventilates large industrial, agricultural, commercial or residential spaces (e.g. car park).



Helica

PRODUCT BENEFITS

- speed controller possible,
- easy to install,
- made in France.

REGLEMENTATIONS AND COMPLIANCES

Technical Opinion no.: 14.5/16-2185_V2

Principles of operation

Ventilation of large industrial, agricultural, commercial or residential spaces (car park), no fire resistance classification, add-on to HELIONE range.

Product description

Helica is an axial fan with a zinc-plated impeller, used to ventilate large industrial, agricultural, commercial or residential spaces (e.g. car park), without a need for fire resistance classification. As an add-on to the Helione range, Helica is available in versions from 100 to 3,000 m³/h.

Fields of application

Multi-occupancy residential housing, Non-residential buildings

Installation

The automatic damper or protective grille (accessories) are installed on the impeller side.

Reference arguments

Application:

- Air exhaust from non-residential buildings, industrial or agricultural premises, or residential car parks with no need for fire protection rating

Description:

- Axial fan with zinc-plated impeller, painted black
- Square plate V2
- Protective screen on inlet side included
- Ambient temperature: -20° to +50°C
- Opening diameter 280 mm
- Motor with external rotor, IP44, F class with speed control possible up to 2800 RPM
- Single-phase power supply 230 V - 50 Hz

Main characteristics

- airflow from 100 to 3,000 m³/h,
- axial fan with zinc-plated impeller (painted black),
- protective mesh on intake side included,
- ambient temperature: - 20°C to + 50°C,
- external-rotor motor IP 44, class F, with speed controller possible,
- single-phase power supply 230 V - 50 Hz (60 Hz possible by swapping capacitor),
- air exhaust applications.

Supplementary characteristics

- complies with eco-design regulation 327/2011 (for models • 125 W power) and out of scope of eco-design regulation 1253/2014 because of housing.
- single-phase power supply 230 V - 50 Hz (60 Hz possible by swapping capacitor).

Accessories

| Désignations | References |
|--|------------|
| Protective grille HELICA 200/250/300/350 | 11032222 |
| Automatic damper HELICA 200/250/300 | 11032231 |
| | 11086572 |

Axial fan

11032253

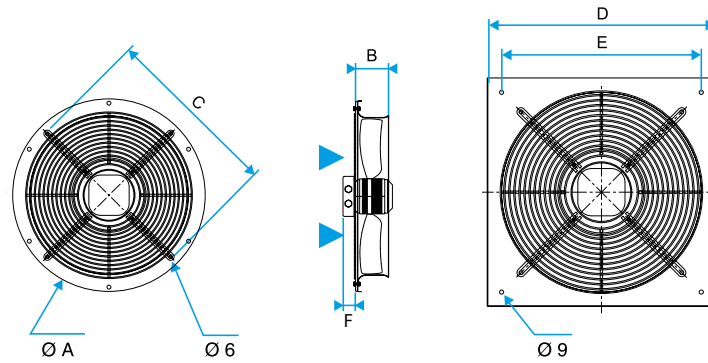
HELICA 250 - 2800 rpm Square plate V2

General data

| References | Colour |
|------------|--------|
| 11032253 | Zinc |

Dimensional data

| References | A (mm) | B (mm) | C (mm) | D (mm) | E (mm) | F (mm) | Ø opening (mm) | PC weight (kg) | VR weight (kg) |
|------------|--------|--------|--------|--------|--------|--------|----------------|----------------|----------------|
| 11032253 | 330 | 65 | 300 | 312 | 320 | 0 | 280 | 3,7 | 3 |



Helica

Airflow data

| References | Airflow (m³/h) |
|------------|----------------|
| 11032253 | 1400 |

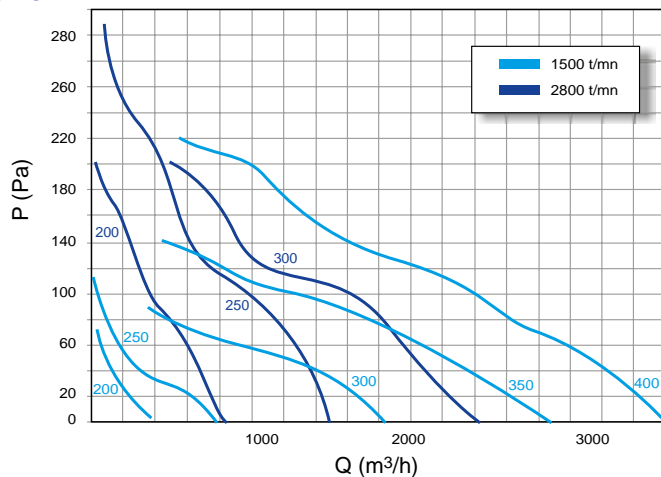
Acoustic data

| References | Sound pressure at 1 m (dB(A)) |
|------------|-------------------------------|
| 11032253 | 71 |

Electrical datas

| References | Max. current (A) |
|------------|------------------|
| 11032253 | 0,55 |

Curve



Helica