

Axial fan**11090508**
HELIONE NC-F200-F400 Ø 800

HELIONE is a range of axial smoke and heat exhaust fans rated F200-120, F400-120 or unclassified.



HELIONE short ring



HELIONE long ring

PRODUCT BENEFITS

- range up to 128,000 m³/h,
- wide range for car parks, commercial and industrial premises,
- multiple accessories to facilitate operation.

REGLEMENTATIONS AND COMPLIANCES

PV CE number : 1812-CPR-1623

Principles of operation

HELIONE fan units require connection to the ventilation / smoke exhaust circuit to remove stale air and smoke to the outside. They can be controlled by an AXONE safety box or a car park box.

Product description

The standard HELIONE range varies from Ø 355 to Ø 1 250 mm and can reach airflows from 1,500 to 200,000 m³/h. HELIONE is used for ventilation and/or smoke and heat exhaust in residential areas (car parks, stairwells), non-residential premises (car parks, shops), and industrial buildings. It enables fresh air supply and exhaust as well as intermittent smoke and heat exhaust functions or in locations where acoustic limitations are not predominant. HELIONE combines with multiple accessories to assist its operation.

Fields of application

Multi-occupancy residential housing, New, Refurbishment, Non-residential buildings

Installation

- horizontal on floor and against a wall, essential extras:
 - square plate, anti-vibration mountings and feet, flanges and flexible sleeves or grille if not ducted.
- horizontal on floor between two ducts, essential extras:
 - anti-vibration mountings and feet, flanges and flexible sleeves for both sides, long ring for access to motor through access hatch.
- horizontal against a wall, essential extras:
 - reinforced square plate for attachment to wall, flange and flexible sleeve or grille if not ducted.
- vertical suspended under slab or to duct, essential extras:
 - protective screen if access possible or if risk of waste intake,
 - long ring for access to motor if ducted on both sides,
 - gusset bracket option.

Axial fan**11090508****HELIONE NC-F200-F400 Ø 800****Main characteristics**

- compliance:
 - certified F400-120 and F200-120,
 - CE compliance: 1812-CPR-1623.
- Ø 355 to Ø 1250 mm, contact us for larger Ø.
- airflow from 1,500 to 120,000 m³/h with pressure values from 100 to 600 Pa,
- impellers:
 - comprise several aluminium blades,
 - fitted on aluminium core,
 - jet angle determined according to operating point.
 - blades: individually X-rayed before assembly to ensure material quality,
- shells:
 - formed from metal sheet,
 - includes drilled rebate flanges for connections,
 - standard = short ring, long ring optional.
- motor attachment arm: hot-dip galvanised for good corrosion resistance,
- motors:
 - bossed,
 - 4 poles or 4/8 poles (2 poles on request),
 - IP55, class F insulation as standard,
 - operating temperature -20/50°C,
 - 60 Hz motor: contact us.

Axial fan

11090508

HELIONE NC-F200-F400 Ø 800

Supplementary characteristics

- installation accessories:
 - flexible sleeve,
 - galvanised steel counter flange to attach Helione to a circular duct,
 - galvanised steel square plate to attach Helione to a wall,
 - galvanised steel support feet (x2) to fasten Helione,
 - anti-vibration mountings (x4) to install under the support feet,
 - non return damper: circular, two galvanised steel flaps,
 - intake nozzle: improved air handling and acoustic performance.
- electrical accessories:
 - proximity switch,
 - pressure switch,
 - safety box see "AXONE micro II".
 - residential car park box
- available options:
 - long shell,
 - gusset brackets for vertical installation,
 - external pre-wired terminal block,
 - protective finish for saline / aggressive environment: hot-dip galvanisation, epoxy powder paint, stainless steel.

Accessories

| Désignations | References |
|-------------------------------------|------------|
| Backdraft damper HELIONE Ø 800 | 11090575 |
| Adapter HELIONE Ø 800 | 11090536 |
| Fan grille | 11090588 |
| Motor grille for short ring fan | 11090601 |
| Set of 2 stands HELIONE Ø 800 | 11090523 |
| Set of 4 pads HELIONE Ø 315 - Ø 800 | 11090619 |
| Flexible sleeve HELIONE Ø 800 | 11090549 |
| 3-phase 14A autotransformer | 11057060 |
| 3-phase 2A autotransformer | 11086096 |
| 3-phase 4A autotransformer | 11086097 |
| 3-phase 6A autotransformer | 11086098 |
| 3-phase 8A autotransformer | 11086099 |
| Vacuum inlet nozzle HELIONE Ø 800 | 11090562 |
| Square plate HELIONE Ø 800 | 11090614 |

Options

| base |
|-----------|
| 3HL/10-10 |
| 3HL/12-12 |
| 3HL/14-14 |
| 3HL/3-6 |
| 3HL/4-8 |
| 3HL/5-10 |
| 3HL/6-12 |
| 3HL/6-6 |
| 3HL/7-14 |
| 3HL/8-8 |
| 4Z/12-12 |
| 4Z/16-16 |
| 4Z/3-9 |
| 4Z/5-5 |
| 4Z/6-12 |
| 4Z/6-9 |
| 4Z/7-7 |
| 4Z/7-7R |

Axial fan

11090508

HELIONE NC-F200-F400 Ø 800

Options

| |
|---------------|
| 4Z/8-16 |
| 4Z/9-9 |
| 4ZNAL/3-9 |
| 4ZNAL/6-9 |
| 4ZNAL/9-9 |
| 5Z/12-12 |
| 5Z/16-16 |
| 5Z/3-9 |
| 5Z/5-5 |
| 5Z/6-12 |
| 5Z/6-9 |
| 5Z/8-16 |
| 5Z/9-9 |
| 6W/10-10 |
| 6W/3-6 |
| 6W/4-8 |
| 6W/5-10 |
| 6W/6-6 |
| 6W/8-8 |
| 9W/10-10 |
| 9W/3-6 |
| 9W/4-8 |
| 9W/5-10 |
| 9W/6-6 |
| 9W/8-8 |
| GOUSSET |
| KW0.12 |
| KW0.18 |
| KW0.25 |
| KW0.37 |
| KW0.55 |
| KW0.6 |
| KW0.75+F4001V |
| KW0.75+ND1V |
| KW0.8+F4002V |
| KW0.8+ND2V |
| KW1.2+F2002V |
| KW1.2+ND2V |
| KW1.5+F4002V |
| KW1.6+F2002V |
| KW1.6+ND2V |
| KW11+F2002V |
| KW11+ND2V |
| KW14+F2002V |
| KW14+F4002V |
| KW14+ND2V |
| KW17+F2002V |
| KW17+F4002V |
| KW17+ND2V |
| KW18.5+F2001V |
| KW18.5+F4001V |
| KW18.5+ND1V |
| KW2.2+F2002V |
| KW2.2+F4002V |
| KW2.2+ND2V |
| KW20+F2002V |

Axial fan

11090508

HELIONE NC-F200-F400 Ø 800

Options

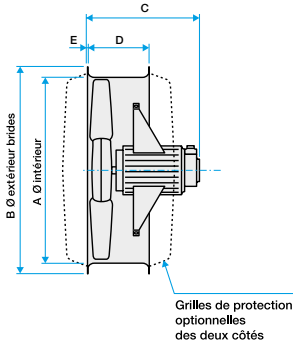
| |
|--------------|
| KW20+F4002V |
| KW20+ND2V |
| KW3+F2001V |
| KW3+F4001V |
| KW3+ND1V |
| KW3.8+F2002V |
| KW3.8+F4002V |
| KW3.8+ND2V |
| KW30+F2001V |
| KW30+F2002V |
| KW30+F4001V |
| KW30+ND1V |
| KW35+ND2V |
| KW37+F2001V |
| KW37+F2002V |
| KW37+F4001V |
| KW37+F4002V |
| KW37+ND1V |
| KW37+ND2V |
| KW4+F2001V |
| KW4+F4001V |
| KW4+ND1V |
| KW44+F2002V |
| KW44+F4002V |
| KW44+ND2V |
| KW45+F2001V |
| KW45+F4001V |
| KW45+ND1V |
| KW5+F2002V |
| KW5+F4002V |
| KW5+ND2V |
| KW5.5+F2001V |
| KW55+ND2V |
| KW7.2+F2002V |
| KW7.2+F4002V |
| KW7.2+ND2V |
| KW7.5+F2001V |
| KW7.5+F4001V |
| KW7.5+ND1V |
| KW9.2+ND1V |
| VIROL2 |

Axial fan

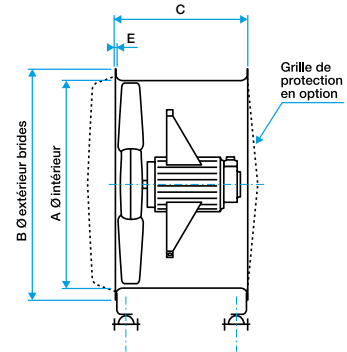
11090508
HELIONE NC-F200-F400 Ø 800

Dimensional data

| References | A (mm) | B (mm) | C (mm) | D (mm) | F (mm) | C long shell (mm) | C short shell (mm) | D short shell (mm) |
|------------|--------|--------|--------|--------|--------|-------------------|--------------------|--------------------|
| 11090508 | 800 | 885 | 254 | 540 | 8 | 440 / 675 | 485 / 700 | 254 / 425 |



Encombrement virole courte(mm)

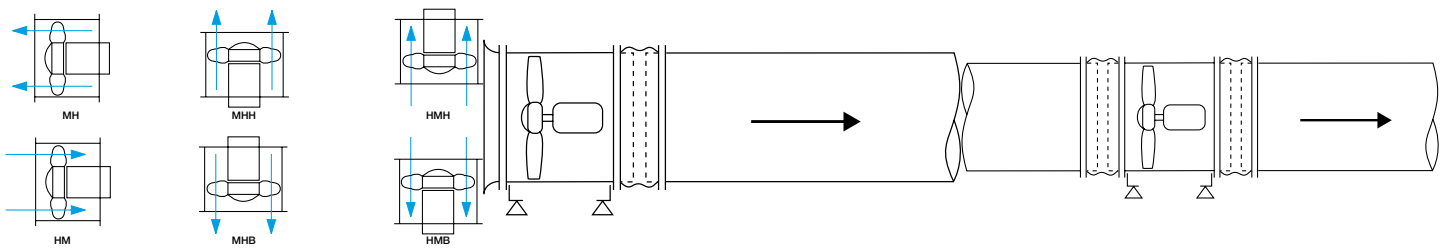


Encombrement virole longue (mm)

Electrical datas

| References | Max. current (A) | Max. power | Puissance min (KW) |
|------------|------------------|------------|--------------------|
| 11090508 | 29 | 15 | 0,55 |

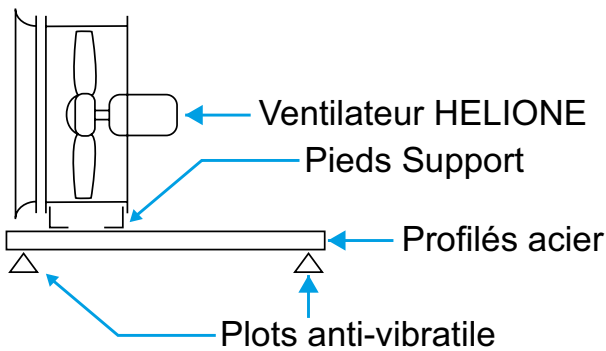
Installation visual 1



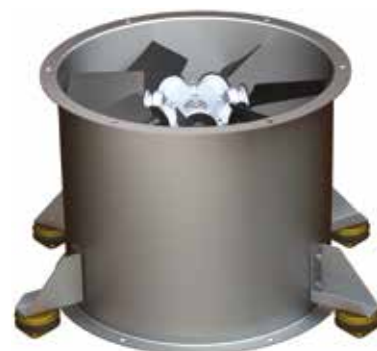
Mise en oeuvre

gainé que d'un coté, horizontal

gainé de chaque coté, (virole longue)



Montage sur structure avec HELIONE virole courte



Montage axe vertical sur structure