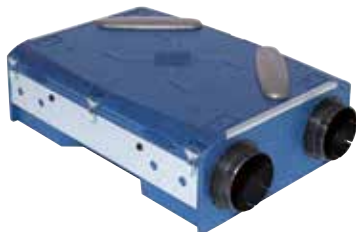


# 11023243

## High-efficiency exchanger ES300-HE BYPASS COLL

Motorless heat recovery system in multi-occupancy housing



High-efficiency exchanger By-pass

### PRODUCT BENEFITS

- energy savings: high-efficiency exchanger,
- individual heat exchanger: each dwelling recovers its own calories.

### REGLEMENTATIONS AND COMPLIANCES

Technical Opinion no.: France

### Principles of operation

In multi-occupancy residential housing, enables pre-heating and filtration of air for each dwelling using EasyVEC® fan units for air supply and exhaust.

### Product description

In multi-occupancy residential housing, enables pre-heating and filtration of air for each dwelling using EasyVEC® fan units for air supply and exhaust.

### Fields of application

Multi-occupancy residential housing, New, Refurbishment

### Installation

- horizontal suspension on ceiling::
  - in suspended ceiling of equipment room,
  - attachment using Ø 8 mm threaded rod.
- horizontal on floor with separate attachment kit for each exchanger and each motor,
- vertical on wall:
  - in cupboard or equipment room,
  - attached using feet or floor attachment kit,
  - use horizontal mounting kit.

### Reference arguments

- Expanded polypropylene unit
- 4 x Ø 160mm connections
- G4 filter on exhaust and filter on fresh air on air supply unit
- High-performance counterflow heat exchanger (85% efficiency at 120 m3/h)
- Bypass version with booster and overventilation

### Main characteristics

- material:
  - expanded polypropylene unit,
- 4 x Ø 160 mm connections,
- coarse filter 65% on exhaust and fresh air filter on air supply unit,
- high-efficiency counter-current exchanger (85% efficiency at 120 m3/h)
- bypass version with extension and over-ventilation.

### General data

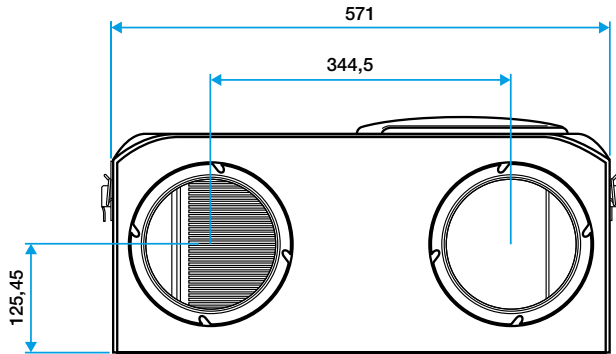
References	Main material
11023243	Expanded polypropylene

# 11023243

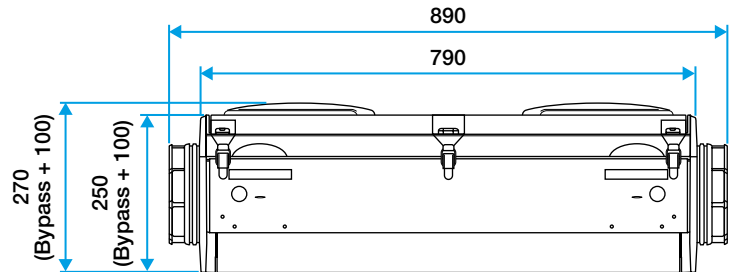
## High-efficiency exchanger ES300-HE BYPASS COLL

### Dimensional data

References	Weight (kg)
11023243	14



Echangeur vue piquages



Echangeur vue longueur

### Electrical datas

References	Power supply
11023243	Single-phase