

# 11022326

## IN LINE 100

IN LINE is a quiet and discreet duct fan. Used for air supply and exhaust.



IN LINE

### PRODUCT BENEFITS

- visually discreet: no fan in room,
- very quiet: as low as 27 dB(A),
- air supply or exhaust.

### Principles of operation

IN LINE duct fans offer intermittent room ventilation, with forced extraction as needed. It is suited for short duct runs.

### Product description

IN LINE is a short-run duct fan for air supply or exhaust, intermittent ventilation of any small room: bathroom, WC, utility room, cellar.

### Fields of application

Multi-occupancy residential housing, Individual residential housing, Refurbishment

### Installation

- installed inside duct,
- maximum duct run: 2 m,
- manual stop/start switch operation,
- fresh air brought into room via air inlet grille or door undercut.

### Reference arguments

- Application:
  - Intermittent room ventilation,
  - Air supply or exhaust,
  - Forced and intermittent operation.
- Description:
  - Material: ABS,
  - Low-noise motor.

### Main characteristics

- 3 diameters:
  - Ø 100 mm for rooms up to 7 m<sup>2</sup>,
  - Ø 125 mm for rooms from 7 to 12 m<sup>2</sup>,
  - Ø 150 mm for rooms over 12 m<sup>2</sup>.
- manual operation: instant start/stop switch operation.
- Low-consumption motor with low noise level,
- thermal protection fuse,
- material: ABS

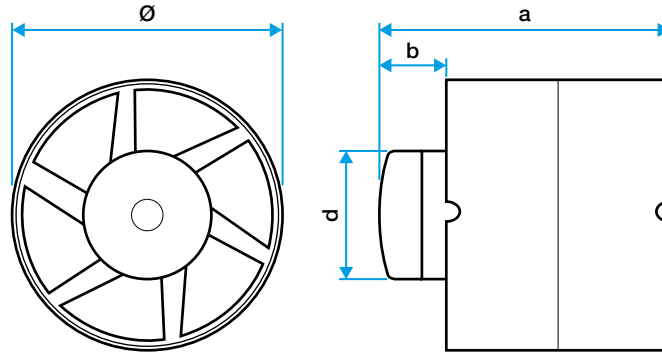
### General data

References	Number of speeds	Type of motor
11022326	1	AC

## 11022326 IN LINE 100

### Dimensional data

References	A (mm)	B (mm)	D (mm)	H (mm)	L (mm)	Ø (mm)	Weight (kg)
11022326	113	28	59	100	113	100	0,41



Encombrement en mm

### Airflow data

References	Max. airflow (m³/h)
11022326	75

### Acoustic data

References	Sound pressure at 3 m (dB(A))
11022326	27

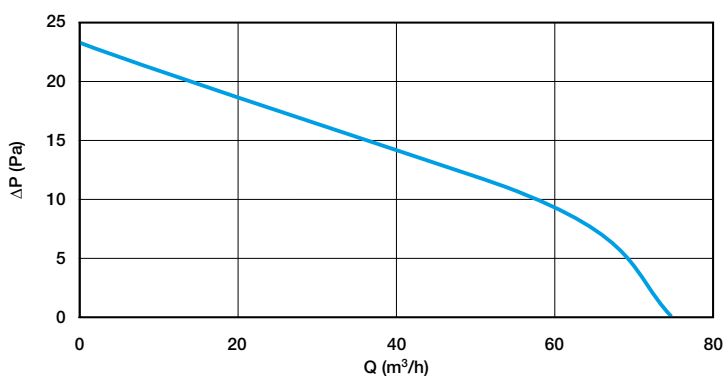
### Electrical datas

References	Frequency (Hz)	Protection current (A)	Voltage (V)	Max. power
11022326	50	2	230	5,6

### Regulatory data

References	Electrical insulation class
11022326	Class 2

### Curve



Aeraulic curve IN LINE 100