

11022328

IN LINE 150

IN LINE is a quiet and discreet duct fan. Used for air supply and exhaust.



IN LINE

PRODUCT BENEFITS

- visually discreet: no fan in room,
- very quiet: as low as 27 dB(A),
- air supply or exhaust.

Principles of operation

IN LINE duct fans offer intermittent room ventilation, with forced extraction as needed. It is suited for short duct runs.

Product description

IN LINE is a short-run duct fan for air supply or exhaust, intermittent ventilation of any small room: bathroom, WC, utility room, cellar.

Fields of application

Multi-occupancy residential housing, Individual residential housing, Refurbishment

Installation

- installed inside duct,
- maximum duct run: 2 m,
- manual stop/start switch operation,
- fresh air brought into room via air inlet grille or door undercut.

Reference arguments

- Application:
 - Intermittent room ventilation,
 - Air supply or exhaust,
 - Forced and intermittent operation.
- Description:
 - Material: ABS,
 - Low-noise motor.

Main characteristics

- 3 diameters:
 - Ø 100 mm for rooms up to 7 m²,
 - Ø 125 mm for rooms from 7 to 12 m²,
 - Ø 150 mm for rooms over 12 m².
- manual operation: instant start/stop switch operation.
- Low-consumption motor with low noise level,
- thermal protection fuse,
- material: ABS

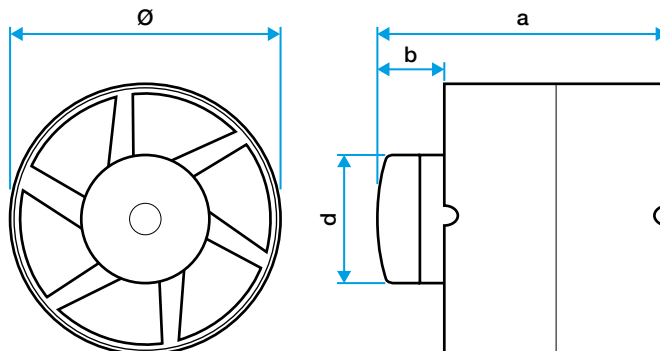
General data

References	Number of speeds	Type of motor
11022328	1	AC

11022328 IN LINE 150

Dimensional data

References	A (mm)	B (mm)	D (mm)	H (mm)	L (mm)	Ø (mm)	Weight (kg)
11022328	128	28	59	150	128	150	0,8



Encombrement en mm

Airflow data

References	Max. airflow (m³/h)
11022328	250

Acoustic data

References	Sound pressure at 3 m (dB(A))
11022328	34

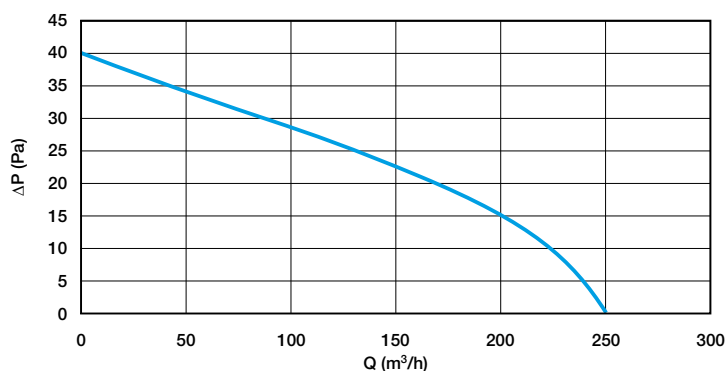
Electrical datas

References	Frequency (Hz)	Protection current (A)	Voltage (V)	Max. power
11022328	50	2	230	20

Regulatory data

References	Electrical insulation class
11022328	Class 2

Curve



Aerolic curve IN LINE 150