

Smoke extraction fan**11022350
IN LINE XSilent 100**

IN LINE XSilent is a very quiet, high-performance duct fan with a steel casing and 50 mm internal acoustic insulation.

**PRODUCT BENEFITS**

- very quiet due to 50 mm internal insulation: as low as 23 dB(A),
- optimised aeraulic performance,
- steel casing.

Principles of operation

The IN LINE XSilent duct fan can ventilate spacious rooms in residential or commercial settings. It can supply or extract air with 1 or 2 ventilation speeds controlled by an inverter or voltage controller.

Product description

The IN LINE XSilent duct fan ventilates spacious rooms or environments, while operating at a low noise level: villa, hotel, library, meeting room, cinema, lecture hall, etc.

XSilent can operate in either supply or exhaust directions on circular ducting and can be installed at any point in the system. It offers up to 2 ventilation speeds if connected to an inverter and can operate with a voltage controller.

Fields of application

Multi-occupancy residential housing, Individual residential housing, New, Refurbishment

Installation

- connected to upstream and downstream ducts,
- can be installed in any position,
- attachment plate for installation on wall,
- can be mounted in series for higher pressure or in parallel for higher airflow,
- fresh air brought into room via air inlet grille or door undercut.
- supports ambient temperature between 1°C and 45°C,
- maximum exhaust air temperature: 60°C.

Reference arguments

- Application:
 - Ventilation of one or more rooms,
 - Air supply or exhaust,
 - Installation at any point of the network,
 - Residential (apartment, villa, etc.) and commercial (hotel, library, etc.).
- Description:
 - Duct fan,
 - Painted steel outer casing, ABS inner casing and impeller,
 - Thermal and acoustic insulation featuring 50 mm of rock wool,
 - Single-phase 2-speed high-performance motor.

Smoke extraction fan

11022350

IN LINE XSilent 100

Main characteristics

- material:
 - painted steel outer casing,
 - ABS inner casing and impeller.
- thermal and acoustic insulation featuring 50 mm of rock wool,
- 7 models: from Ø 100 mm to Ø 315 mm for maximum airflow from 240 to 1950 m³/h,
- single-phase high-performance 2-speed motor mounted on ball bearings,
- built-in thermal protection.

Contents of kits

- screw and plug;4

Accessories

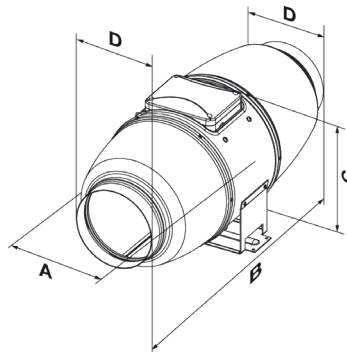
| Description | Variants |
|-----------------------|----------|
| CMEV inverter | 11022030 |
| Speed controller 1.5A | 11022358 |

General data

| Variants | Service life (h) | Number of speeds | Motor Type |
|----------|------------------|------------------|------------|
| 11022350 | 40000 | 2 | AC |

Dimensional data

| Variants | A (mm) | B (mm) | C (mm) | D (mm) | H (mm) | L (mm) | Ø (mm) | Weight (kg) |
|----------|--------|--------|--------|--------|--------|--------|--------|-------------|
| 11022350 | 215 | 505 | 237 | 100 | 237 | 505 | 100 | 4,6 |



Airflow data

| Variants | Airflow at max. speed (m ³ /h) | Airflow at min. speed (m ³ /h) |
|----------|---|---|
| 11022350 | 240 | 100 |

Acoustic data

| Variants | Sound pressure at 3 m at max. speed (dB(A)) | Sound pressure at 3 m at min. speed (dB(A)) |
|----------|---|---|
| 11022350 | 27 | 16 |

Electrical datas

| Variants | Voltage (V) | Frequency (Hz) | Max. power | Protection rating | Max. current (A) | Protection current (A) | Min. power |
|----------|-------------|----------------|------------|-------------------|------------------|------------------------|------------|
| 11022350 | 220/240 | 50/60 | 23 | IPX4 | 0,2 | 2 | 9 |

Regulatory data

| Variants | Electrical insulation class |
|----------|-----------------------------|
| 11022350 | Class 2 |

Smoke extraction fan

11022350 IN LINE XSilent 100

Curve

