

11022381

INEA 100 H

INEA is a continuous extractor for small rooms, ensuring 24/7 comfort. 2 operating modes: switch or humidity detection.



INEA



INEA front view

PRODUCT BENEFITS

- decorative: modern and sleek design,
- delivers continuous comfort; ventilates 24/7,
- compatible with discharge duct up to 10 m.

Principles of operation

INEA continuous extractors deliver ongoing ventilation of a space up to 7 m²: bathroom, WC or laundry room.

2 operating modes:

- switch-operated activation of Boost mode and return to Auto mode (I version),
- activation of Boost mode by humidity level detection and adjustable timer-controlled return to Auto mode (H version).

Product description

The INEA range of continuous extractors with a modern, sleek design can be seamlessly integrated into your dwelling. These units provide 24/7 ventilation of a space (bathroom, WC or laundry room) while ensuring optimum comfort thanks to their silent operation and low consumption.

Fields of application

Multi-occupancy residential housing, Individual residential housing, Refurbishment

Installation

- fitted using 4 screws supplied,
- wall or ceiling attachment,
- maximum length of discharge duct 10 m,
- switch-operated on/off for manual version (I),
- fresh air brought into room via air inlet grille or door undercut.

Reference arguments

- Application:
 - Intermittent ventilation for rooms up to 7 m²; bathroom, WC, laundry room,
 - Continuous stale air extraction.
- Description:
 - Ø 100 mm outlet
 - Automatic activation of Boost mode by humidity level and adjustable timer-controlled return to Auto mode,
 - Low-noise motor,
 - Removable backdraft damper at rear of fan,
 - Foam installed at rear to prevent propagation of vibrations and condensation,
 - White colour,
 - Material: High quality ABS body and decorative cover
 - 100% cardboard packaging.

11022381

INEA 100 H

Main characteristics

- 1 diameter:
 - Ø 100 mm for rooms up to 7 m²; bathroom, WC, laundry room.
- 2 operating modes:
 - switch-operated activation of Boost mode and return to Auto mode (I version),
 - activation of Boost mode by humidity level detection and adjustable timer-controlled return to Auto mode (H version).
- very low-consumption motor with low noise level,
- removable backdraft damper at rear of fan,
- foam installed at rear to reduce vibrations and prevent condensation,
- built-in thermal protection,
- material:
 - high quality ABS body and decorative cover.
- cardboard packaging.

Supplementary characteristics

- continuous operation with manual boost operation (I version): switch-operated start and stop (switch not supplied)
- continuous operation with automatic boost mode activated by humidity level detection (H version):
 - activation of boost mode by humidity level, adjustable between 60% and 90%. Activation is automatic if the ambient humidity level exceeds the preset threshold value,
 - timer on activation: 45 seconds,
 - timer-controlled return to AUTO mode, adjustable between 2 and 30 minutes. Once the indoor humidity level has returned to below the activation threshold, the boost mode operates for the pre-determined time then automatically returns to Auto mode.

Contents of kits

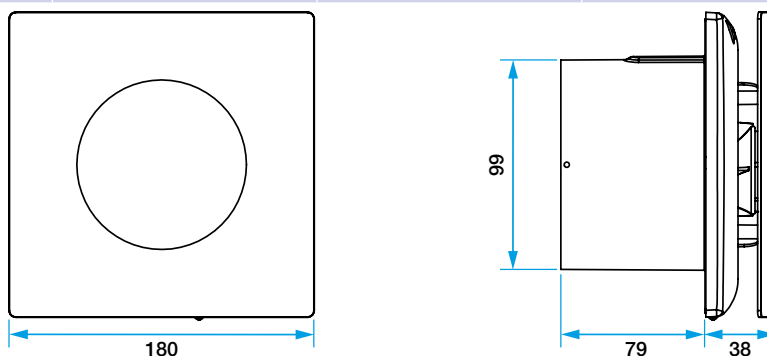
- attachment screw and plug;4

General data

References	Surface-mounted thickness (mm)	Operation	Number of speeds	Maximum extract air temperature (°C)	Type of finish	Type of motor	Colour
11022381	38	- Automatic activation of Boost mode by humidity level and adjustable timer-controlled return to Auto mode,	2	40	White	AC	White

Dimensional data

References	H (mm)	L (mm)	P (mm)	Ø discharge (mm)	Weight (kg)
11022381	180	180	117	99	0,61



Dimensions in mm

Airflow data

References	Max. airflow (m ³ /h)
11022381	77

Acoustic data

References	Sound pressure at 3 m (dB(A))
11022381	23

Thermal data

References	Consumption (max. power at basic airflow) (W)	Max. power at peak airflow (W)
11022381	5	8

11022381 INEA 100 H

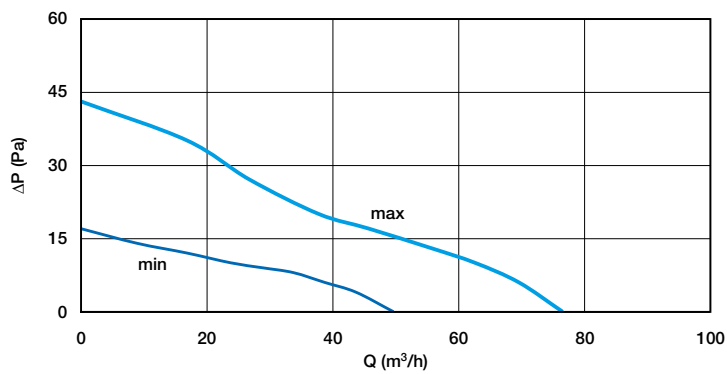
Electrical datas

References	Frequency (Hz)	Protection rating	Protection current (A)	Voltage (V)	Max. power
11022381	50	IP44	2	220/240	8

Regulatory data

References	Electrical insulation class
11022381	Class 2

Curve



Air curves INEA 100