

## Fire damper

# 11043098

## ISONE® 2.1 Europe Ø 560 mm

ISONE 2 dampers are easy to choose: a single model for all partition walls and all fire protection ratings.



ISONE 2.1 circular Europe auto-control

### PRODUCT BENEFITS

- Single damper model for all partitions: easy to select
- Ergonomic quick reset handle: 2 seconds suffice.
- Optional stainless steel pin for harsh environments
- Optional remote control box, 0.7 m or 3 m cord
- ALDES SecurONE application for damper data collection and sharing
- Single mechanism, from the simplest to the highest-spec damper: easy to choose, install and maintain
- BELUC 24/48 V non-energetic compatible with ModBus modules

- The damper is open in standby position.
- It opens when instructed by the FACP or thermal rod and moves into safety position (closed).
- Being motorised, it can be reset remotely.

### Product description

- Fire dampers for commercial buildings (public access building, high-rise)
- They restore the fire resistance of partitions crossed by a ventilation duct.
- Equipped with 70°C thermal trip fuse by default
- Controllable by electromagnetic coil trip device: 24/48 V DC current emission; 24 V DC or 48 V DC current break
- Reset motor 24/48 V
- Fire resistance up to 120 minutes on all common partition walls

### Fields of application

New, Refurbishment, Non-residential buildings

### Installation

- Mortar-free installation on lightweight walls, even with post-fitted frame
- Flush-mounted installation on:
  - Concrete and aerated concrete wall/slab
  - Plaster block wall
  - Type A plasterboards (1h) and type F (2h)
- Remote installation on PROMAT / GEOSTAF
- Positioned on lightweight walls using installation brackets
- EXAP EN 15882-2:2015, rules X.45 and X.46: extended opening dimensions
- Respect the fire rating reports when installing

### Main characteristics

- Certified and compliant with NF S 61937-5 and NF 537
- CE marked as per EN 15650: 1812-CPR-1837
- Class C airtight properties as per EN 1751 as standard
- EI 120 S - 500 Pa on concrete / aerated concrete walls and slabs, type F plasterboard, remote installation on PROMAT / Geostaff
- EXAP EN 15882-2:2015, rules X.45 and X.46.
- Range from D100 mm to D630 mm
- Certified for 150 cycles for auto-controlled dampers, 10,000 cycles for remote-controlled dampers

### REGLEMENTATIONS AND COMPLIANCES

PV CE number : 1812-CPR-1837

Fire damper

11043098  
ISONE® 2.1 Europe Ø 560 mm

Supplementary characteristics

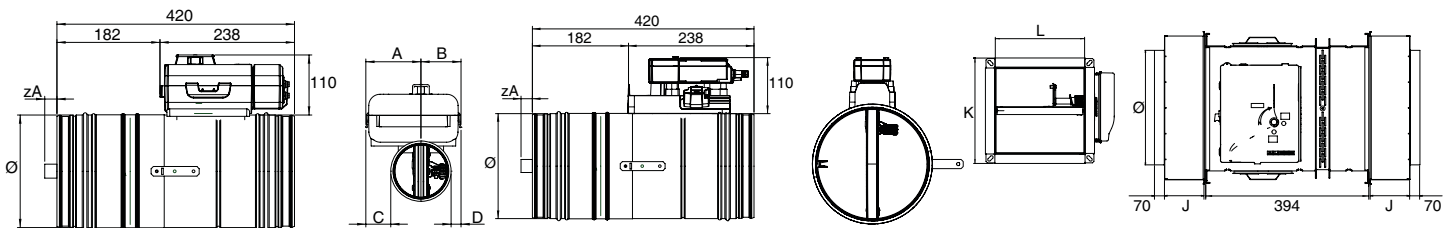
- Fully upgradable mechanism
- Single damper adaptable to all walls
- Mounted on lightweight partition with post-fitted frame
- Reset handle indicating damper position
- Wide electrical connection box
- Optional stainless steel pin for harsh environments
- Optional remote control unit
- Low pressure loss

General data

References	Free air passage section (dm <sup>2</sup> )
11043098	31,96

Dimensional data

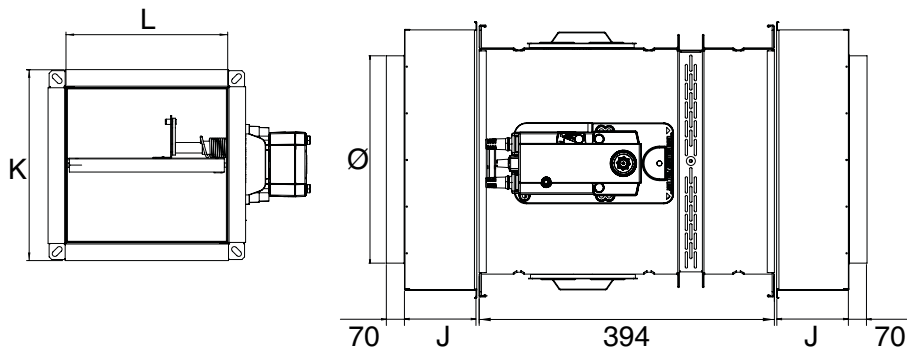
References	J (mm)	K (mm)	L (mm)	Ø (mm)	Weight (kg)
11043098	202	665	605	560	25,6



Encombrement ISONE®2.1 Europe circulaire PM autocommandé

Encombrement ISONE®2.1 Europe circulaire PM télécommandé

Encombrement ISONE®2.1 Europe circulaire GM autocommandé



Encombrement ISONE®2.1 Europe circulaire GM télécommandé

- ISONE 2.1 PM: D100 to D500
- ISONE 2.1 GM: D560 to D630

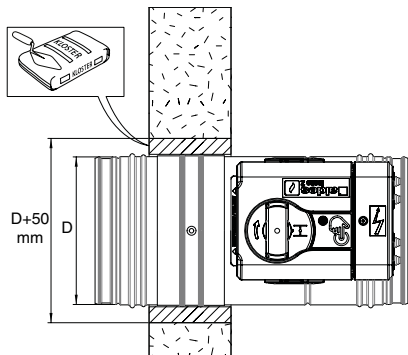
Fire damper

11043098  
ISONE® 2.1 Europe Ø 560 mm

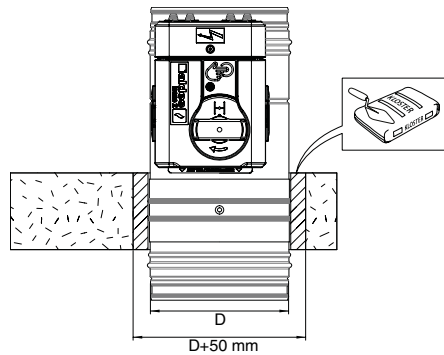
Airflow data

References	Pressure loss at 2 m/s (Pa)	Pressure loss at 4 m/s (Pa)	Pressure loss at 6 m/s (Pa)	Pressure loss at 8 m/s (Pa)	Pressure loss at 10 m/s (Pa)	Pressure loss at 12 m/s (Pa)
11043098	1	2	5	9	14	21

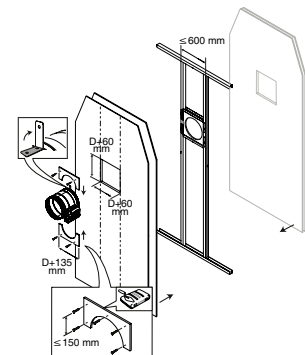
Installation visual 1



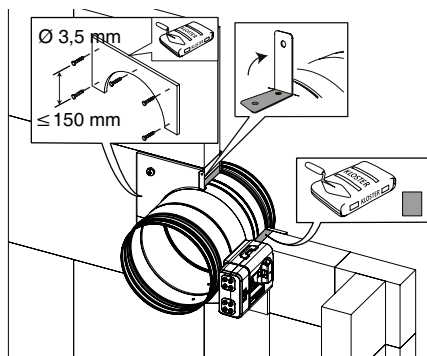
ISONE®2.1 circulaire sur mur béton



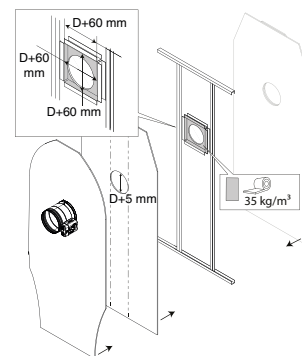
ISONE®2.1 circulaire sur dalle béton



ISONE®2.1 circulaire sur cloison légère 120 minutes



ISONE®2.1 circulaire sur cloison carreaux de plâtre 120 minutes



ISONE®2.1 circulaire sur cloison légère 60 minutes chevrete post montage

Principe de fonctionnement



- > 1: installation bracket
- > 2: lip seal
- > 3: blade with airtight seal
- > 4: tunnel body (sleeve) made of galvanised steel
- > 5: manufacturer's plate
- > 6: BELIMO mechanism