

## Fire damper

# 11043456

## ISONE® 2.1 PM Europe RECT

ISONE® 2.1 dampers are simple to select: a single model for all partitions and all fire resistance levels.



ISONE 2.1 Europe rectangular remote-controlled

### PRODUCT BENEFITS

- Single damper model for all partitions: easy to select
- Ergonomic quick reset handle: 2 seconds suffice.
- Optional stainless steel pin for harsh environments
- Optional remote control box, 0.7 m or 3 m cord
- ALDES SecurONE application for damper data collection and sharing
- Single mechanism, from the simplest to the highest-spec damper: easy to choose, install and maintain
- Easynstall kit for simple installation in lightweight partition
- RELIMO 24V connections: compatible with ModBus modules

- The damper is open in standby position.
- It opens when instructed by the FACP or thermal rod and moves into safety position (closed).
- Being motorised, it can be reset remotely.

### Product description

- Fire dampers for commercial buildings (public access building, high-rise)
- They restore the fire resistance of partitions crossed by a ventilation duct.
- Equipped with 70°C thermal trip fuse by default
- Controllable by electromagnetic coil trip device: 24/48 V DC current emission; 24 V DC or 48 V DC current break
- Reset motor 24/48 V
- Fire resistance up to 120 minutes on all common partition walls

### Fields of application

New, Refurbishment, Non-residential buildings

### Installation

- Mortar-free installation on lightweight walls, even with post-fitted frame
- Embedded installation on:
  - Concrete and aerated concrete wall/slab
  - Plaster block wall
  - Type A plasterboards (1h) and type F (2h)
- Remote installation on PROMAT / GEOSTAF
- Positioned on lightweight walls using installation brackets
- Easynstall kit for simple mounting of rectangular dampers in type A lightweight partition (60 minutes)
- Adapter part for connection to oblong ducting
- EXAP EN 15882-2:2015, rules X.45 and X.46: extended opening dimensions
- Respect the fire rating reports when installing

### Main characteristics

- Certified and compliant with NF S 61937-5 and NF 537
- CE marked as per EN 15650: 1812-CPR-1837
- Class C airtight properties as per EN 1751 as standard
- EI 120 S - 500 Pa on concrete / aerated concrete walls and slabs, type F plasterboard, remote installation on PROMAT / Geostaff
- EXAP EN 15882-2:2015, rules X.45 and X.46.
- Range from 200x100 mm to 1500x500 mm / 1000x1000 mm
- Certified for 300 cycles for auto-controlled dampers, 10,000 cycles for remote-controlled dampers

### REGLEMENTATIONS AND COMPLIANCES

PV CE number : 1812-CPR-1837

## Fire damper

# 11043456

## ISONE® 2.1 PM Europe RECT

### Supplementary characteristics

- Fully upgradable mechanism
- Single damper adaptable to all walls
- Lightweight wall installation with post-fitted frame
- Reset handle indicating damper position
- Wide electrical connection box
- Optional stainless steel pin for harsh environments
- Easynstall kit for simple installation in lightweight partition
- Optional remote control unit
- Low pressure loss

### Accessories

Désignations	References
OBLONG RING ISONE®2.1 360x80/400x200	11043196
OBLONG RING ISONE®2.1 350x100/400x200	11043197
OBLONG RING ISONE®2.1 325x130/350x200	11043198
OBLONG RING ISONE®2.1 425x130/450x200	11043199
OBLONG RING ISONE®2.1 410x165/450x200	11043217
OBLONG RING ISONE®2.1 545x165/600x200	11043218
OBLONG RING ISONE®2.1 515x215/550x250	11043219
OBLONG RING ISONE®2.1 675x215/700x250	11043257
OBLONG RING ISONE®2.1 645x265/700x300	11043259
Remote box 0.7 m for FDCU1 limit switch and current make coil ISONE®2.1 PM small	11043324
Remote box 3 m for FDCU1 limit switch and current make coil ISONE®2.1 PM small	11043325
Adapter lead kit control pack ISONE®2.1 PM small	11043339
Remote box 0.7 m for FDCU1+2 limit switches and current make coil ISONE®2.1 PM small	11043396
Remote box 3 m for FDCU1+2 limit switches and current make coil ISONE®2.1 PM small	11043397

### General data

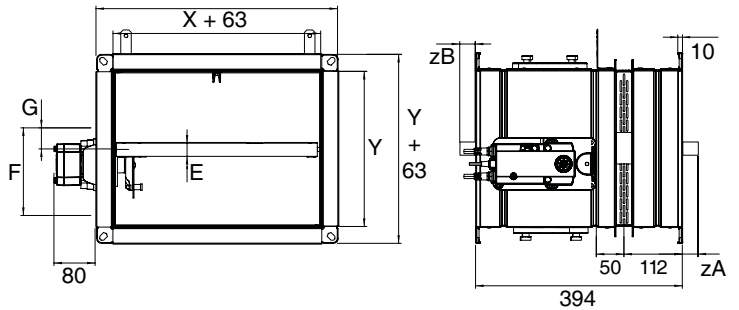
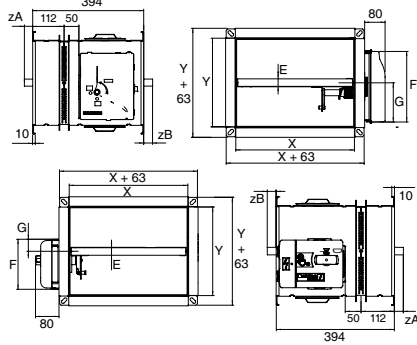
References	Free air passage section (dm <sup>2</sup> )
11043456	0,9 (Min) - 43 (Max)

Fire damper

11043456  
ISONE® 2.1 PM Europe RECT

Dimensional data

References	E (mm)	F (mm)	G (mm)	ZA (mm)	Lmin x Hmin (mm)	Lmax x Hmax (mm)
11043456	25	169	71	Y/2 -122	200 x 100	800 x 600

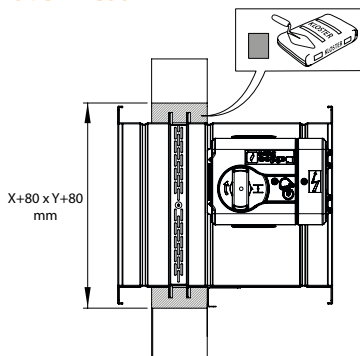


Encombrement ISONE®2.1 Europe Rectangulaire autocommandé

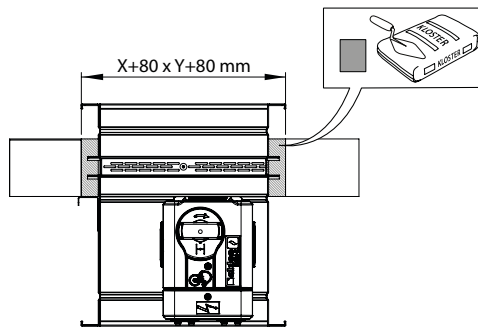
Encombrement ISONE®2.1 Europe Rectangulaire télécommandé

- ISONE® 2.1 PM: 200x100 to 800x600 / 1000x1000 mm
- ISONE® 2.1 GM: • 800x600 to 1500x500 / 1000x1000 mm

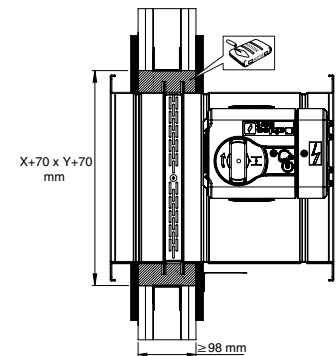
Installation visual 1



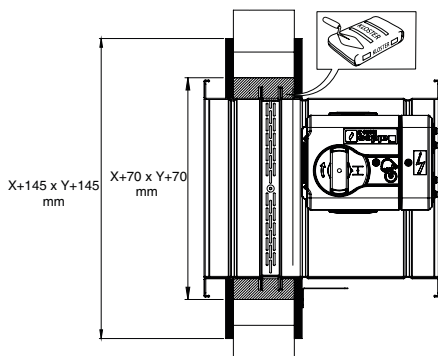
ISONE®2.1 rectangulaire sur mur béton



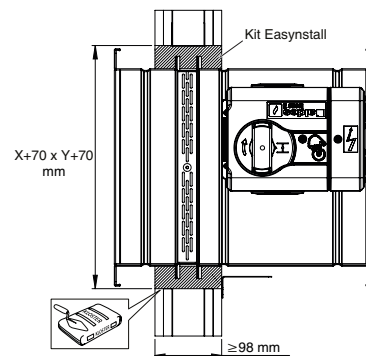
ISONE®2.1 rectangulaire sur dalle béton



ISONE®2.1 rectangulaire sur cloison légère 120 minutes



ISONE®2.1 rectangulaire sur cloison carreaux de plâtre 120 minutes



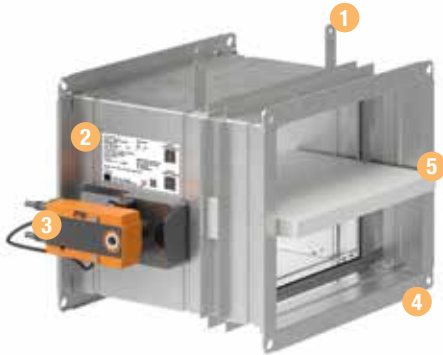
ISONE®2.1 rectangulaire sur cloison légère 60 minutes avec kit Easynstall

## Fire damper

# 11043456

## ISONE® 2.1 PM Europe RECT

## Principe de fonctionnement



- > 1: installation bracket
- > 2: manufacturer's plate
- > 3: BELIMO mechanism
- > 4: 30 mm connection flange
- > 5: blade thickness 25 mm (PM model) or 50 mm (GM model)