

Heat recovery ventilation unit

11023448

InspirAIR® Side 370 Classic Modbus Right side

Heat recovery ventilation solution that matches the pace of occupant lifestyles.



InspirAIR Home SC Classic

PRODUCT BENEFITS

- more purified air: up to 90% of bacteria, pollen and fine particles eliminated,
- more design: pure and minimalist lines to blend in with the most demanding interiors,
- more comfort: balances your indoor air while insulating from outdoor noise.

REGLEMENTATIONS AND COMPLIANCES

PV CE number : ,
 Eurovent Certification no. : ,
 Identification no. QB37 : ,
 PassivHaus Institute Certification no. : ,
 Technical Opinion no. : ,
 Test standard : ,

Principles of operation

General and permanent ventilation of dwelling with heat recovery on exhaust air to pre-heat incoming air. Incoming air is purified with custom filters to ensure clean air throughout the dwelling.

Product description

Heat recovery ventilation solution with filtered incoming air and indoor air renewal without heat loss.

Fields of application

Multi-occupancy residential housing, Individual residential housing, New, Refurbishment, Non-residential buildings

Installation

- horizontal installation on ceiling or vertical on wall,
- condensate outlet connected to PVC Ø 32 mm duct,
- installation in heated space recommended.

Main characteristics

- material:
 - PPE body and metal panels,
- configuration:
 - left or right (2 versions),
- airflow:
 - 150, 240, 370,
- 100% bypass as standard,
- Classic control keypad,
- four modes:
 - holiday,
 - auto,
 - boost,
 - guest.

Contents of kits

InspirAIR® Side; 1
 Mounting kit; 1
 Connector D.160; 0
 Classic embedded control keypad; 1
 Siphon; 1
 Dust filter; 1
 Pollen filter; 1
 Modem for AldesConnect® app; 0

Heat recovery ventilation unit

11023448

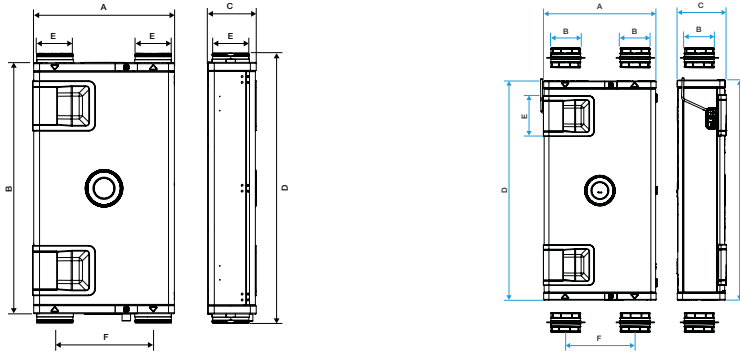
InspirAIR® Side 370 Classic Modbus Right side

General data

References	Available filters	Type of exchanger	Type of motor
11023448	> pollen: - Coarse 65% > particles: - ePM10 50% > fine particles: - ePM1 0 85% - ePM2.5 65% > bacteria: - ePM2.5 95% - ePM1 80% > VOC: - ePM10 85% - ePM2.5 65%.	Sensitive	EC

Dimensional data

References	A (mm)	B (mm)	C (mm)	D (mm)	E (mm)	F (mm)	Weight (kg)
11023448	670	160	300	1150	215	420	34



InspirAIR® Home SC 150 Classic

InspirAIR® Home SC 240 Classic

Airflow data

References	Airflow at max. speed (m³/h)
11023448	370

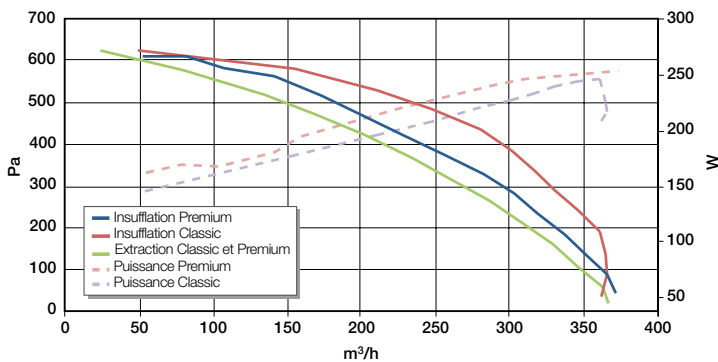
Electrical datas

References	Frequency (Hz)	Max. current (A)	Voltage (V)	Max. power
11023448	50	2	230	234

Regulatory data

References	Ventilation energy class – Average climate
11023448	A

Curve



> Test conditions:

- Outdoor air = dry air at 5°C, Hr < 20%.
- Indoor air = dry air at 25°C, HR < 20%. (EN 13141-7 and EN 308)

Avec filtre pollens