

Fixed ventilation grille**11022015****Kitchen terminal with filter D150 mm**

BIP and BIO and fixed ventilation grilles for individual houses and multi-occupancy housing.



Kitchen terminal filter

PRODUCT BENEFITS

- aesthetic BIO Design terminal, fully dirigible,
- RAL 9010 white finish,
- range available in 3 diameters.

Principles of operation

BIP and BIO and fixed ventilation grilles for individual houses and multi-occupancy housing. Available in different diameters and operates on air exhaust (BIP) and supply (BIP and BIO).

Product description

BIP and BIO fixed ventilation grilles are designed for individual houses as well as new and refurbished multi-occupancy housing. They operate on both air supply and exhaust.

Fields of application

Multi-occupancy residential housing, Individual residential housing, New, Refurbishment

Installation

0

Reference arguments

- Plastic terminals for extract (BIP) and supply (BIO Design).
- Ø 125 shaft required to mount square BIO Design terminal Ø 125.
- Trident sleeve for installation in plasterboard: - Ø 80 mm: BIP, BIO Design, BAHIA Curve, Bap'SI, - Ø 125 mm: BIP and BIO Design with shaft Ø 125 mm, BAHIA Curve, Bap'SI, humidity-controlled Ø 125/80 mm: BAHIA Curve.
- Claw-fit sleeve: - Ø 80 mm only, - composition: 1 collar and 3 extensions, - supplied with a locking washer, - extensions to increase height sold separately.

Main characteristics

- BIP and BIO fixed ventilation grilles,
- air supply and exhaust,
- available in 3 diameters: 80 mm, Ø 80 mm and Ø 125 mm,
- Ø 80 offers airflow of 60 m³/h,
- Ø 100 offers airflow of 90 m³/h,
- Ø 125 offers airflow of 110 m³/h,
- easy to maintain.

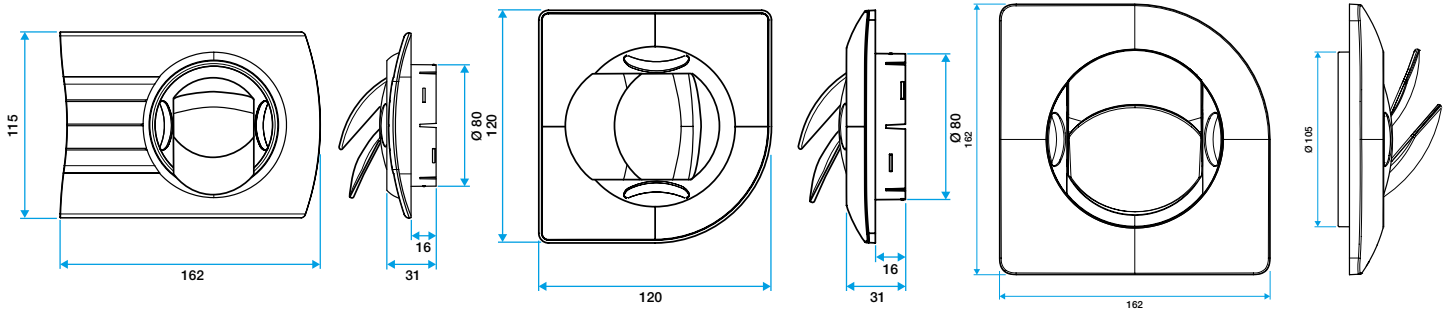
Fixed ventilation grille

11022015

Kitchen terminal with filter D150 mm

General data

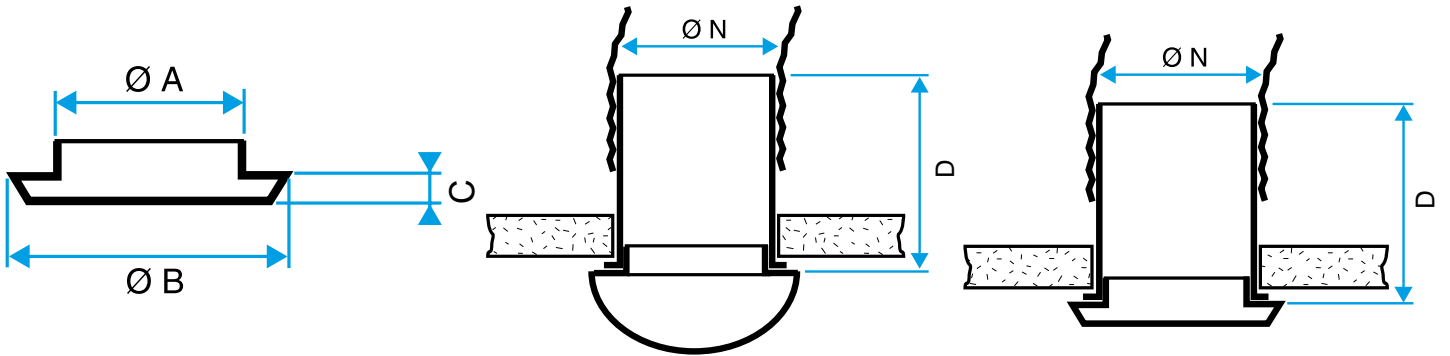
References	Colour
11022015	Wenge



Grille BIO Design rectangulaire D 80 mm

Grille BIO Design carré D 80 mm

Grille BIO Design carré D 125 mm



BIP / BIO terminal only

BIO terminal with sleeve

Bouche BIP avec manchette